

TM-ZE360 41002404034A FRAME/STANDARD,MANUAL VALVE(2.93T)

PB0000124-01 SYSTEM (ZE360,EXPORT)
ASSEMBLY

www.AutoEPC.com

ZE360,カイカイ
ZE360,EXPORT

1	パワー テイク オフ & ポンプ POWER TAKE OFF & PUMP
2	フレーム ユニット (1) FRAME UNIT (1)
3	フレーム ユニット (2) FRAME UNIT (2)
4	メイバン INDICATION PLATES
6	トクベツ ショウ OPTIONS

注意：①適用製造番号によっては取り付けがないものもあります。

②オプションの部品選定時には「製品本体」をご確認して頂き、取り付けされている仕様を確認し、部品検索をお願い致します。

NOTE:①MACHINES OF SOME SERIAL NO.ARE NOT EQUIPPED WITH THESE PARTS.

②WHEN SELECTING OPTION PARTS, CHECK THE ACTUAL PRODUCT BEFOREHAND TO MAKE SURE THE SPEC OF THE INSTALLED PRODUCT, AND THEN SEARCH THE PARTS.

TM-ZE360 41002404034A FRAME/STANDARD,MANUAL VALVE(2.93T)

Pos No.	Parts No	Parts Name	Qty	Unit	Technical Data	Serial No
1	(*****)	POWER TAKE OFF & PUMP	1			
2	(*****)	FRAME UNIT (1)	1			
3	(*****)	FRAME UNIT (2)	1			
4	(*****)	INDICATION PLATES (EXPORT)	1			
6	(*****)	OPTIONS	1			

www.AutoEPC.com

TM-ZE360 41002404034A FRAME/STANDARD,MANUAL VALVE(2.93T)

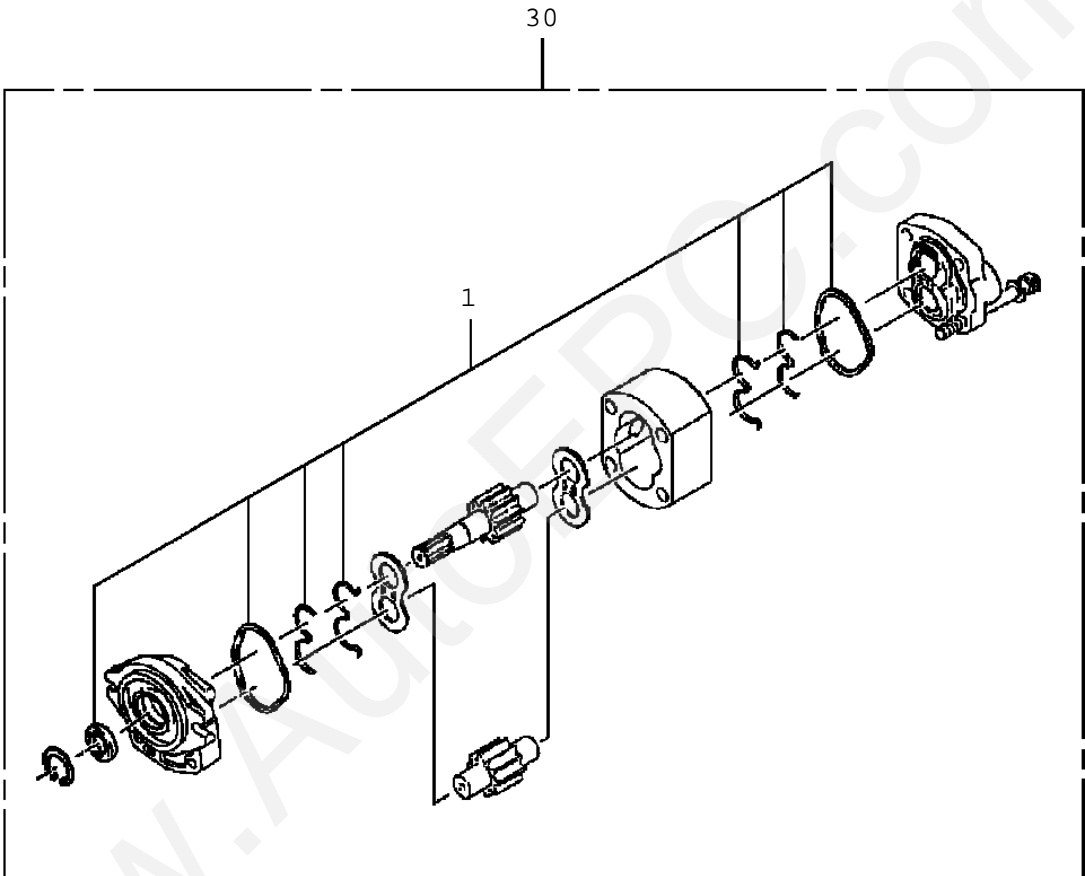
PB1100144-02 PUMP, HYDRAULIC
PB1100314-00 PUMP, HYDRAULIC
PB1130197-01 TANK, OIL (MOUNT)
PB1130199-01 TANK, OIL
PB1290011-00 STOPPER, ROTARY JOINT
PB1300315-01 JOINT, ROTARY
PB1320633-00 VALVE, MANUAL CONTROL
PB1380052-00 POWER SUPPLY
PB1400439-01 PIPING, UPPER
PB1411919-02 PIPING, LOWER (JOINT FOR RETURN FILTER)
PB1411945-03 PIPING, LOWER
PB2000053-00 POWER TAKE OFF & PUMP
PC1011345-00 OUTRIGGER (FOR 4TON)
PC1011348-00 OUTRIGGER (FOR 5.5TON BASE 7TON)
PC1011351-00 OUTRIGGER (FOR 6-7TON)
PC1011386-00 OUTRIGGER (FOR 4TON)
PC1011387-00 OUTRIGGER (FOR 5.5TON BASE 7TON)
PC1011388-00 OUTRIGGER (FOR 6-7TON)
PC1011515-00 OUTRIGGER (LEFT)
PC1011516-00 OUTRIGGER (RIGHT)
PC1011519-00 OUTRIGGER (LEFT)
PC1011520-00 OUTRIGGER (RIGHT)
PC1011521-00 OUTRIGGER (LEFT)
PC1011522-00 OUTRIGGER (RIGHT)
PC1020095-01 OUTRIGGER, REAR (FRAME)
PC1020103-00 OUTRIGGER, REAR (ROTARY/POWER PACKAGE)
PC1030297-03 CYLINDER, JACK (MIN. 719)
PC1030301-02 CYLINDER, JACK (REAR OUTRIGGER)
PC1030441-01 CYLINDER, JACK (MIN. 657)
PC1030442-02 CYLINDER ASSY, JACK (MIN. 657/WELDED STRUCTURE)
PC1100197-03 OPE. ASSY, OUTRIGGER
PC1100207-01 OPE. ASSY, OUTRIGGER
PC1200600-00 PIPING, OUTRIGGER
PC1230021-03 PIPING, REAR JACK (2, ROTARY)
PC1230061-00 PIPING, REAR JACK (1)
PC6390034-02 CYLINDER ASSY, JACK (MIN. 719, WELDED STRUCTURAL)
PC6390047-01 CYLINDER ASSY, JACK
PC6390066-00 CYLINDER ASSY, JACK (MIN. 719, FRICTION-WELDED)
PC6390069-00 CYLINDER ASSY, JACK (MIN. 657/FRICTION-WELDED)
PD1010172-00 REDUCER, SWING SPEED
PD1020069-00 SWING UNIT
PD5020009-00 DERRICK ASSY
PE1010493-02 CYLINDER ASSY, DERRICK
PF1010167-01 WINCH (HARTYS)
PF1010237-01 WINCH (OOKUBO)
PF1020004-01 DRUM, WINCH
PF1020035-00 DRUM, WINCH
PF1070033-00 ROPE, WIRE (KISWIRE)
PF1400303-03 MOUNT, WINCH
PH5030825-00 HARNESS
PH5030826-00 HARNESS
PH5031732-00 HARNESS
PI1010152-00 MOTOR, HYDRAULIC (WINCH)
PI1010223-00 MOTOR, HYDRAULIC
PI1140170-02 VALVE, CHECK
PI1250160-00 VALVE, COUNTERBALANCE
PI1280051-00 VALVE, PILOT CHECK
PI1300061-02 FILTER, OIL (YAMASHIN)
PI1440038-00 METER, LOAD (2.9TON ENGLISH/NAGANO)
PJ3410033-01 LOCK ASSY (OUTRIGGER)
PJ3410034-01 LOCK ASSY
PJ5090013-00 JOINT ASSY, SWIVEL
PJ5090029-00 JOINT ASSY, SWIVEL
PK1011286-04 FRAME
PK1100466-01 SWING FRAME
PK1330374-00 COVER (POST)
PK1330375-00 COVER (SWING)
PK1330382-01 COVER (SWITCH PANEL)
PK2001034-00 FRAME UNIT (1)
PK2001035-00 FRAME UNIT (2)
PL1011226-01 OPE. ASSY, CONT. VALVE
PN1014500-00 ELEC. ASSY
PN1014580-01 ELEC. ASSY (PLUG: POST/WITHOUT SAFETY)
PN1014768-03 ELEC. ASSY (PANEL SWITCH)
PN1014846-01 ELEC. ASSY

TM-ZE360 41002404034A FRAME/STANDARD,MANUAL VALVE(2.93T)

PN1140188-00 SWITCH ASSY (PLATING:NACC)
PN1140199-00 SWITCH ASSY (GREEN:PANASONIC)
PN1140239-00 SWITCH ASSY (WITH HARNESS,2-SW)
PO1000142-00 INDICATION PLATES (EXPORT)
PO1014946-00 PLATE ASSY,NAME (POST)
PO1015287-01 PLATE ASSY,NAME
PO1015295-01 PLATE ASSY,NAME (PANEL)
PO1015296-01 PLATE ASSY,NAME (OIL)
PO1015311-00 PLATE ASSY,NAME
PO1015313-00 PLATE ASSY,NAME (CONT.,CAUTION,HOOK)
PO1071084-00 PERFORMANCE DATA (C,2930KG/ZE364D,DH)
PO1071085-00 PERFORMANCE DATA (D,2930KG/ZE364D,DH)
PP5200057-00 PERFORMANCE DATA (A,2930KG/ZE364D,DH)
PR5130002-00 RING ASSY,SLIP
PW5060005-01 WINCH ASSY (Y.G.TEC)
PY1000373-00 OPTIONS
PY1200078-00 PIPING,COOLER
PY1300014-01 COOLER,OIL
PY1300041-01 COOLER,OIL

www.AutoEPC.com

TM-ZE360 41002404034A FRAME/STANDARD,MANUAL VALVE(2.93T)
PB1100144-02 PUMP,HYDRAULIC

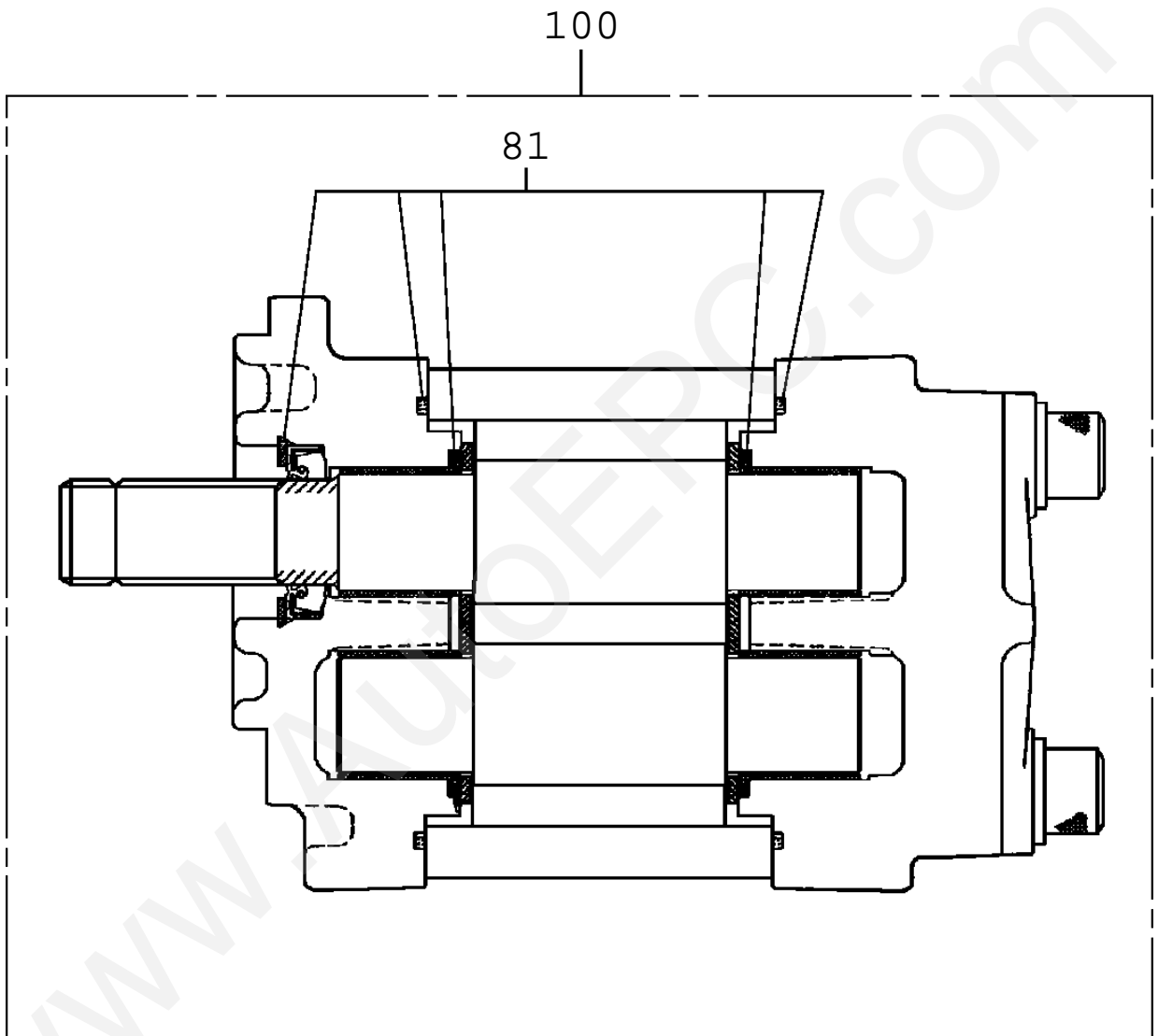


TM-ZE360 41002404034A FRAME/STANDARD,MANUAL VALVE(2.93T)

Pos No.	Parts No	Parts Name	Qty	Unit	Technical Data	Serial No (Start)	Serial No (End)
1	36651645010	SEAL KIT	1				
30	36653330000	PUMP, HYDRAULIC	1				

www.AutoEPC.com

TM-ZE360 41002404034A FRAME/STANDARD, MANUAL VALVE(2.93T)
PB1100314-00 PUMP, HYDRAULIC

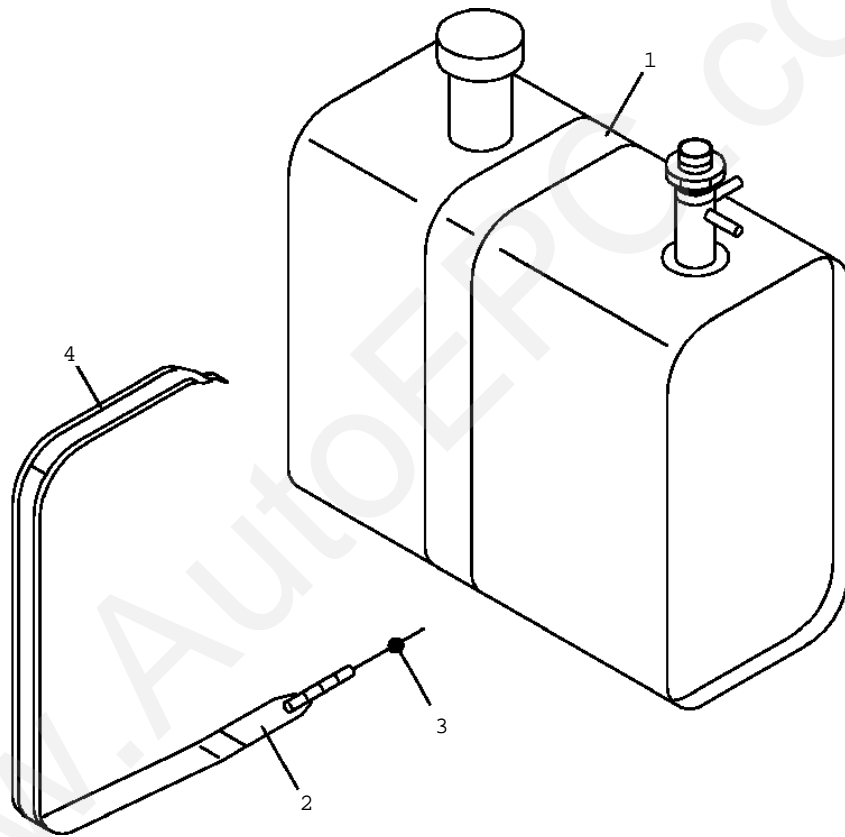


TM-ZE360 41002404034A FRAME/STANDARD,MANUAL VALVE(2.93T)

Pos No.	Parts No	Parts Name	Qty	Unit	Technical Data	Serial No (Start)	Serial No (End)
81	36651645010	SEAL KIT	1				
100	36654340000	PUMP, HYDRAULIC	1				

www.AutoEPC.com

TM-ZE360 41002404034A FRAME/STANDARD, MANUAL VALVE (2.93T)
PB1130197-01 TANK,OIL (MOUNT)

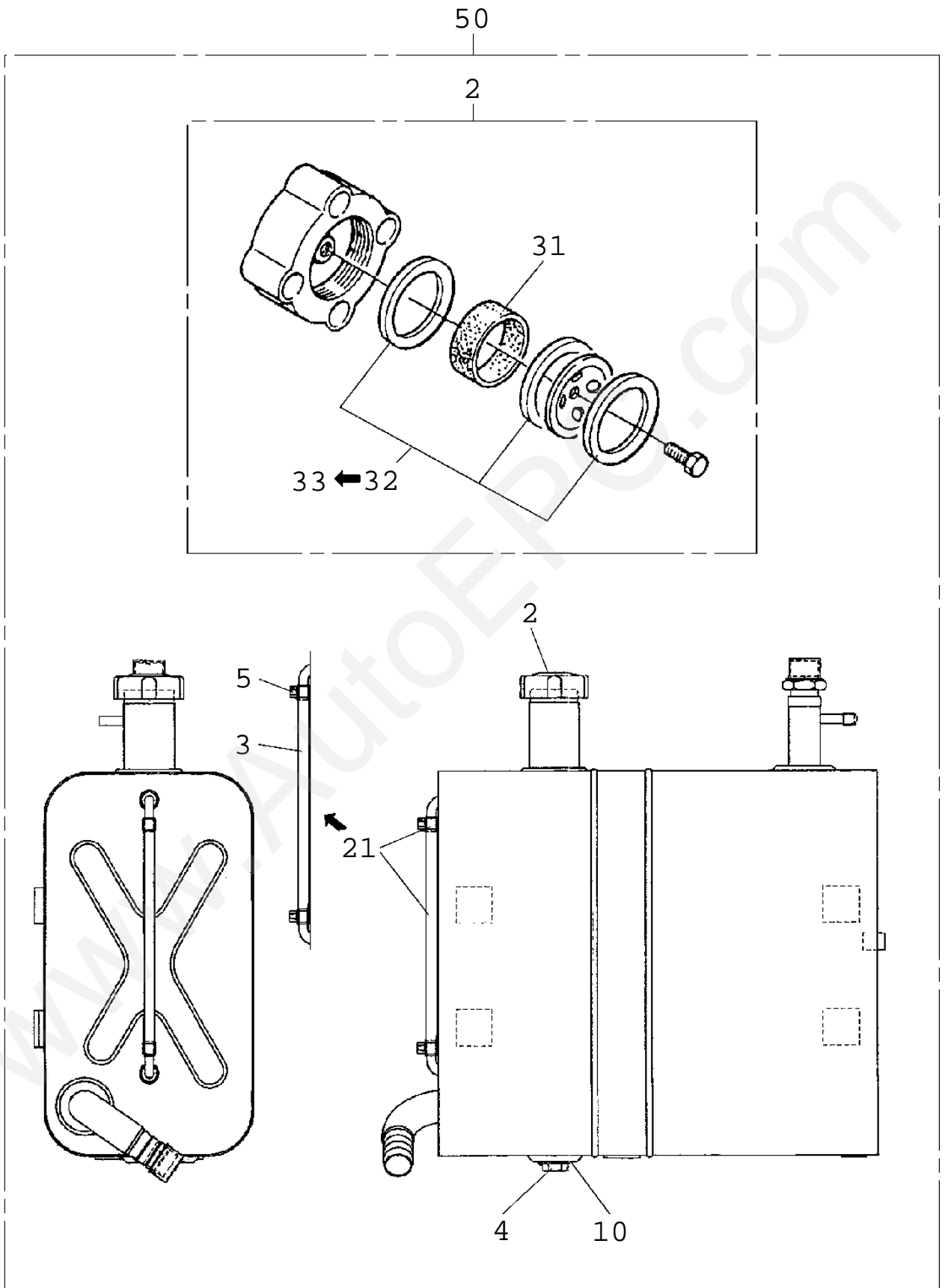


TM-ZE360 41002404034A FRAME/STANDARD,MANUAL VALVE(2.93T)

Pos No.	Parts No	Parts Name	Qty	Unit	Technical Data	Serial No (Start)	Serial No
1	36102480000	TANK,OIL	1				
2	31660520100	BAND	1				
3	90201201000	NUT	2		M10		
4	31660530200	CUSHION	1				

www.AutoEPC.com

TM-ZE360 41002404034A FRAME/STANDARD, MANUAL VALVE (2.93T)
PB1130199-01 TANK, OIL

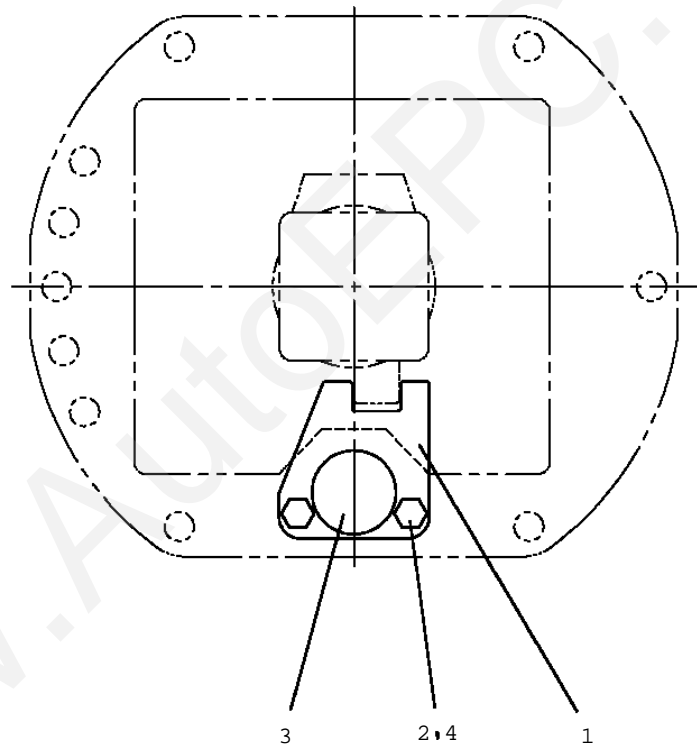


TM-ZE360 41002404034A FRAME/STANDARD,MANUAL VALVE(2.93T)

Pos No.	Parts No	Parts Name	Qty	Unit	Technical Data	Serial No (St
2	36101895020	BREATHER ASSY (OB-10B)	1			
3	36102485010	GAUGE,OIL	1			
4	36102075020	PLUG	1			
5	91803880070	CLIP	2		D=13.1-16.2	
10	36102075030	WASHER,SEAL	1			
31	53156005010	ELEMENT (OB-10T & OB-10B)	1			
33	36101895030	RETAINER ASSY	1			
50	36102480000	TANK,OIL	1			

www.AutoEPC.com

TM-ZE360 41002404034A FRAME/STANDARD,MANUAL VALVE(2.93T)
PB1290011-00 STOPPER,ROTARY JOINT

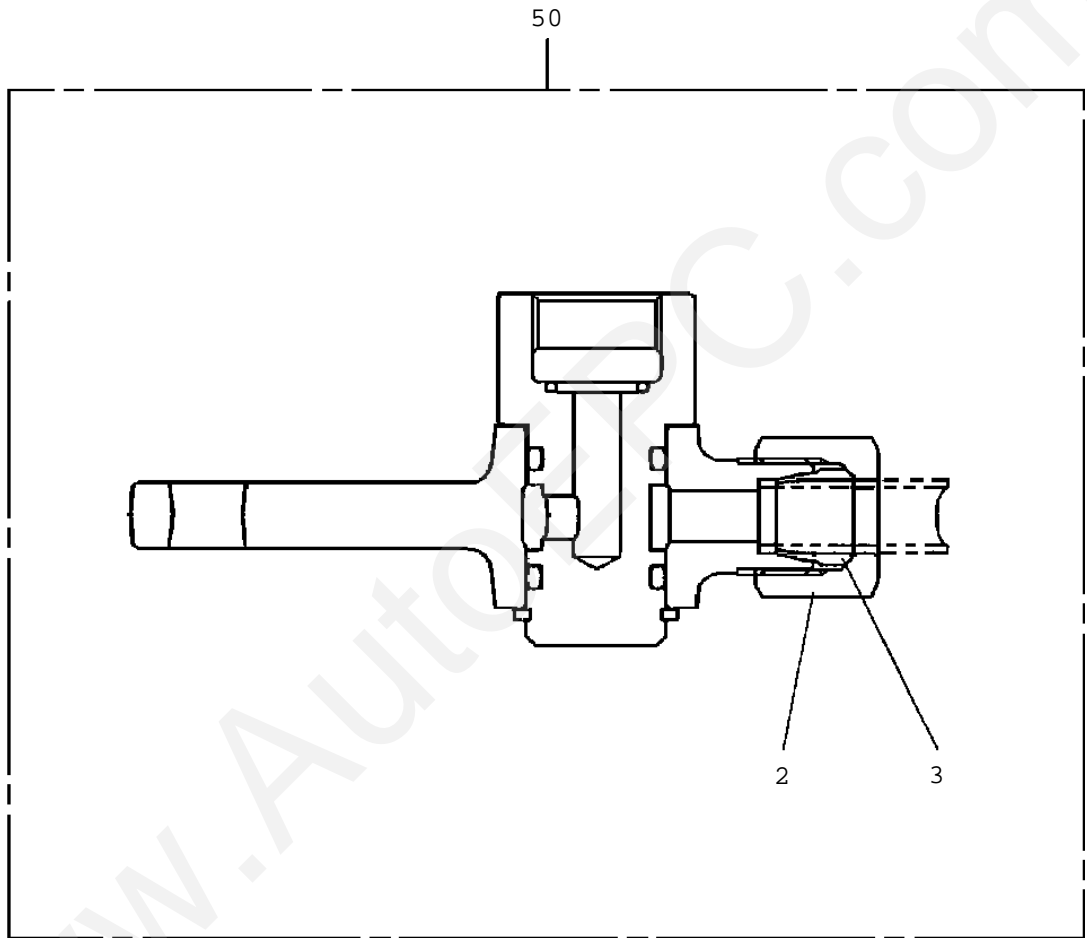


TM-ZE360 41002404034A FRAME/STANDARD,MANUAL VALVE(2.93T)

Pos No.	Parts No	Parts Name	Qty	Unit	Technical Data	Serial No (Start)	Serial
1	31631101001	PLATE	1				
2	90171112022	BOLT	2		M12X22		
3	31630482500	CAP	1				
4	90302041201	WASHER,SPRING	2		12		

www.AutoEPC.com

TM-ZE360 41002404034A FRAME/STANDARD, MANUAL VALVE (2.93T)
PB1300315-01 JOINT, ROTARY



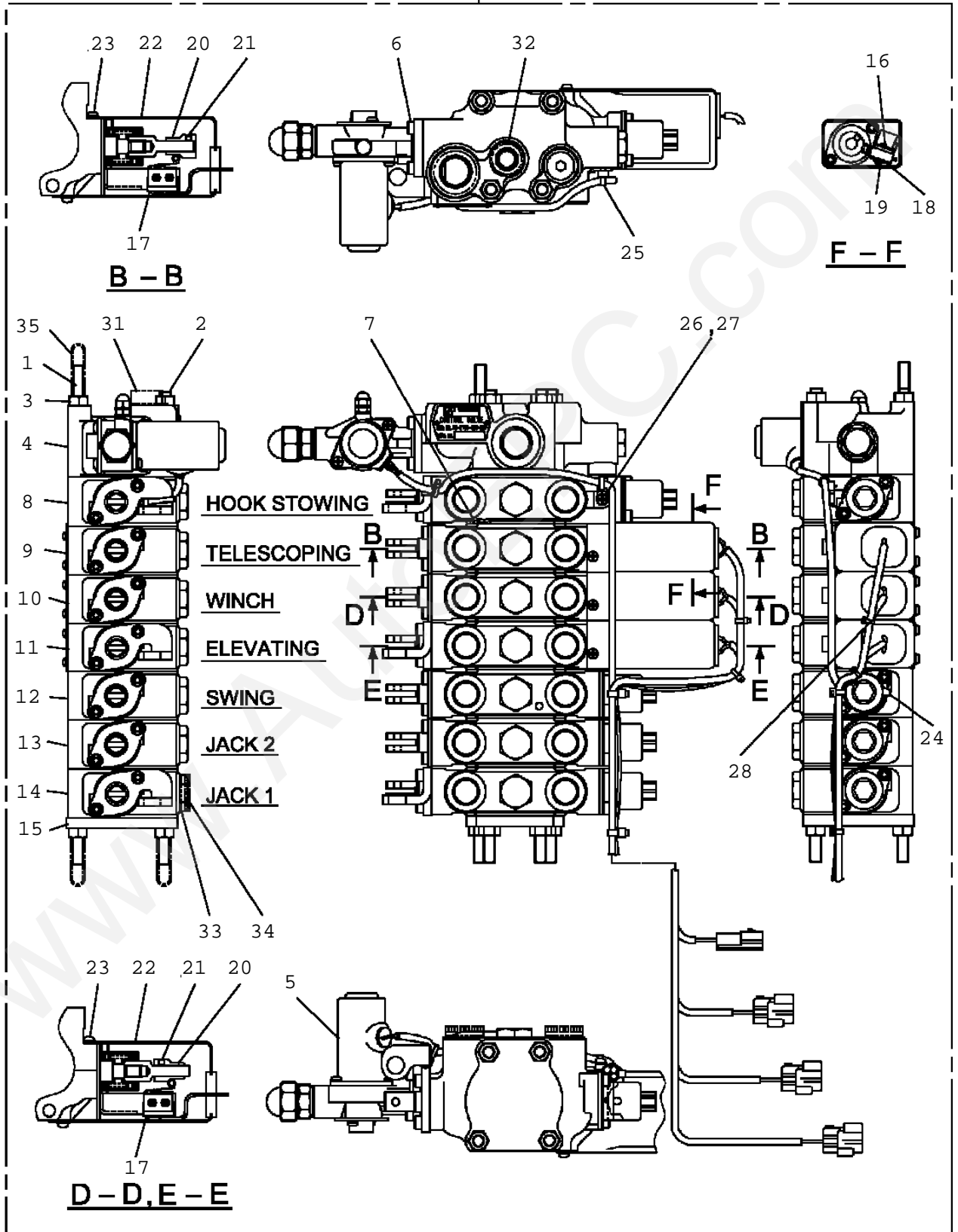
TM-ZE360 41002404034A FRAME/STANDARD,MANUAL VALVE(2.93T)

Pos No.	Parts No	Parts Name	Qty	Unit	Technical Data	Serial No (Start)	Serial :
2	80306010085	NUT	1				
3	80309010085	SLEEVE	1				
50	31644592100	JOINT,ROTARY	1				

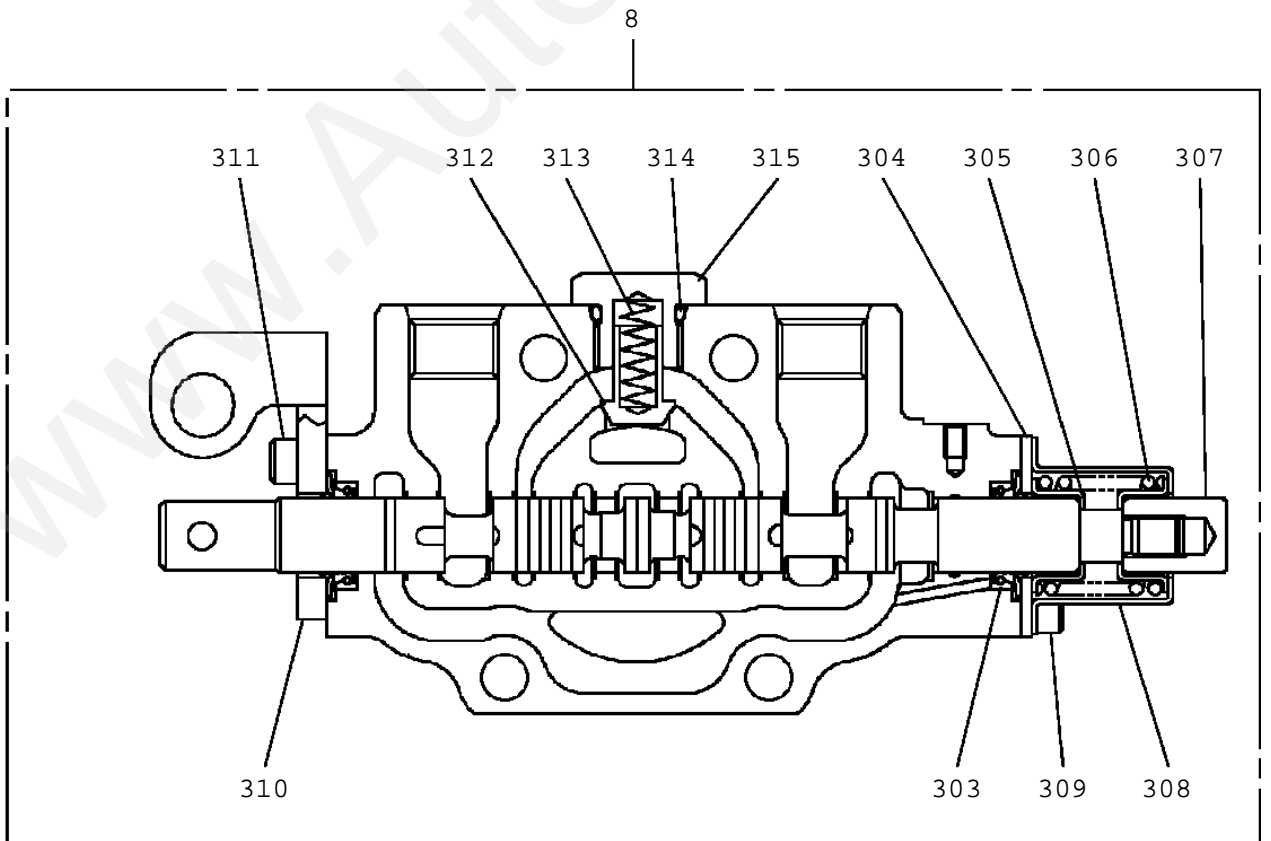
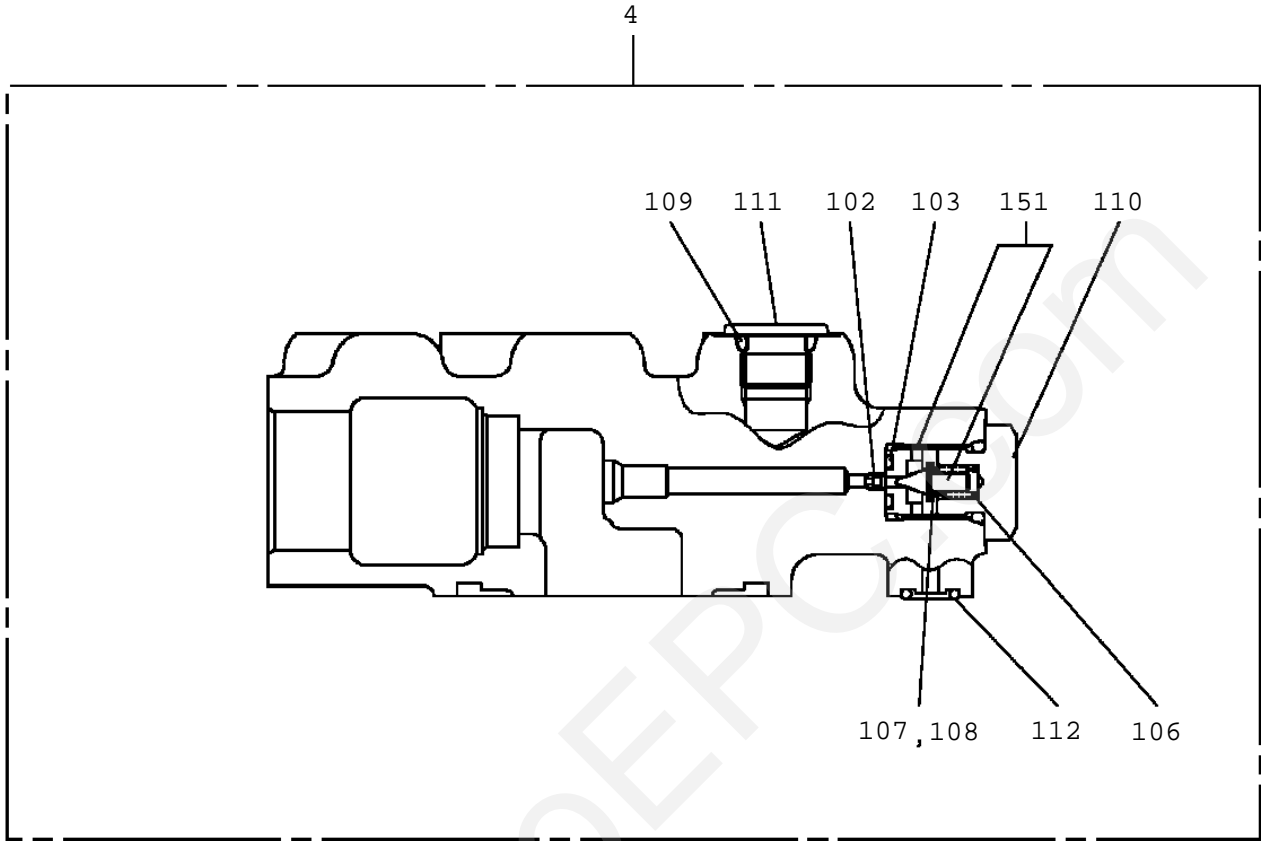
www.AutoEPC.com

TM-ZE360 41002404034A FRAME/STANDARD, MANUAL VALVE (2.93T)
 PB1320633-00 VALVE, MANUAL CONTROL

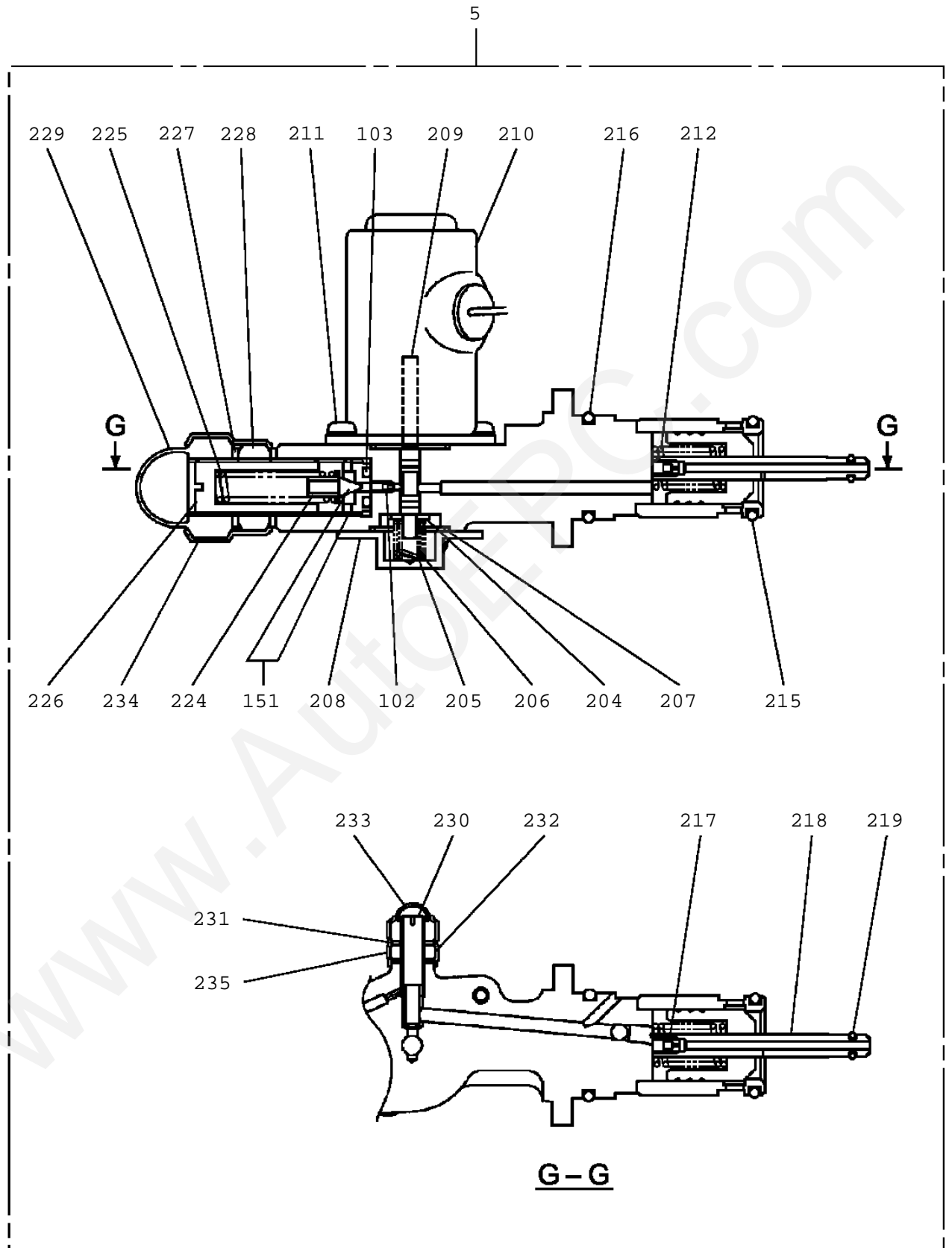
500



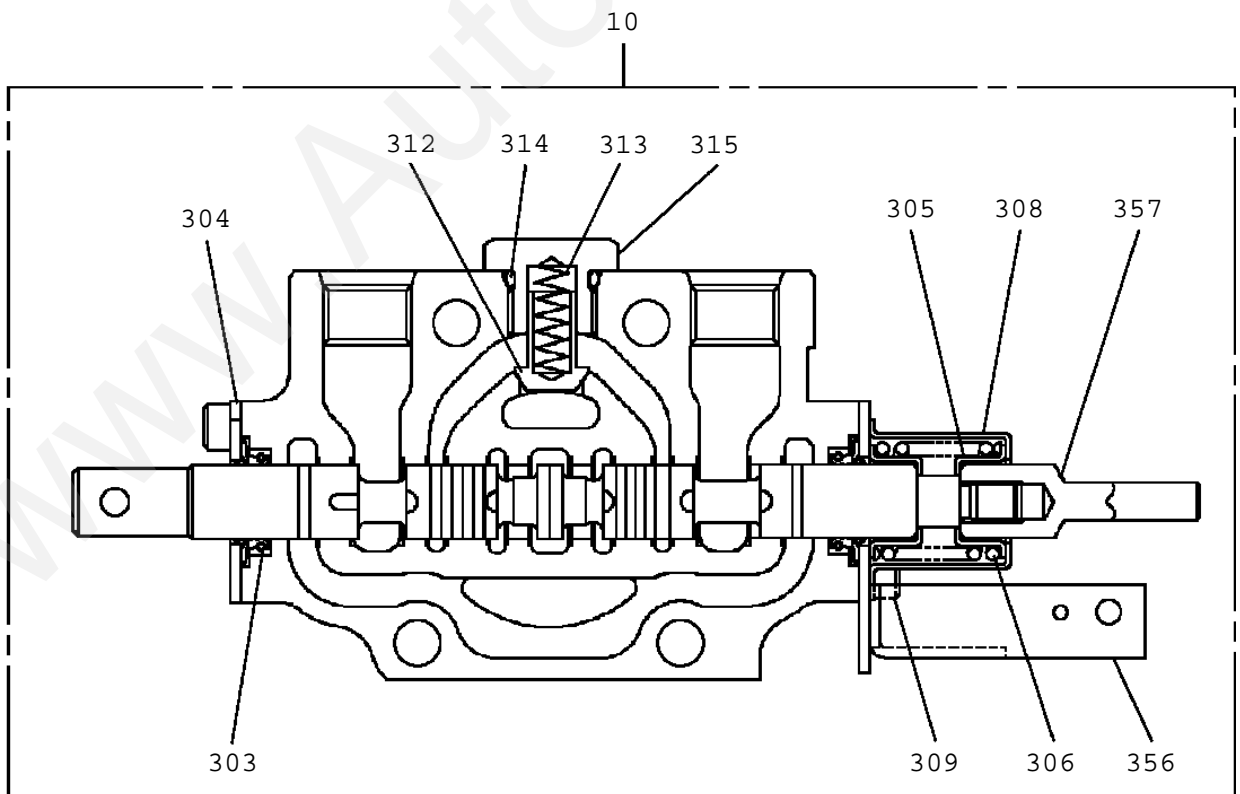
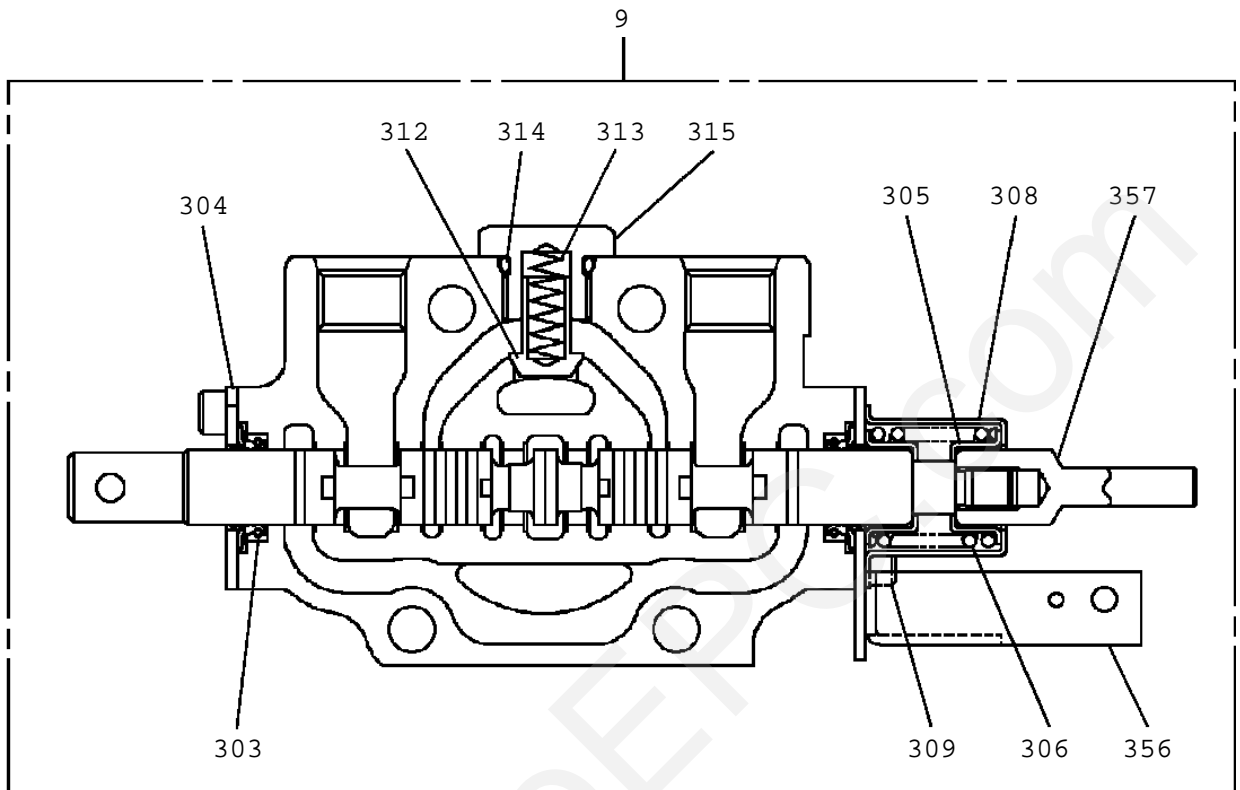
TM-ZE360 41002404034A FRAME/STANDARD, MANUAL VALVE(2.93T)
PB1320633-00 VALVE, MANUAL CONTROL



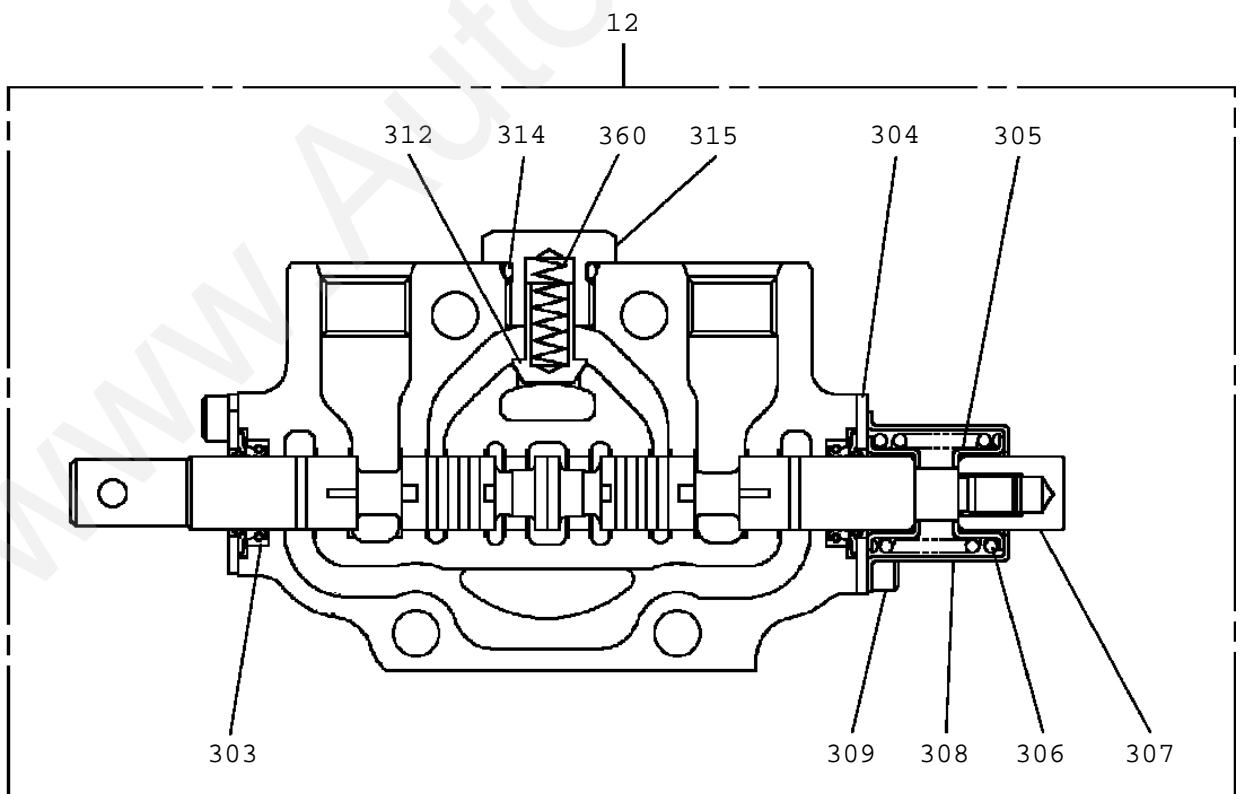
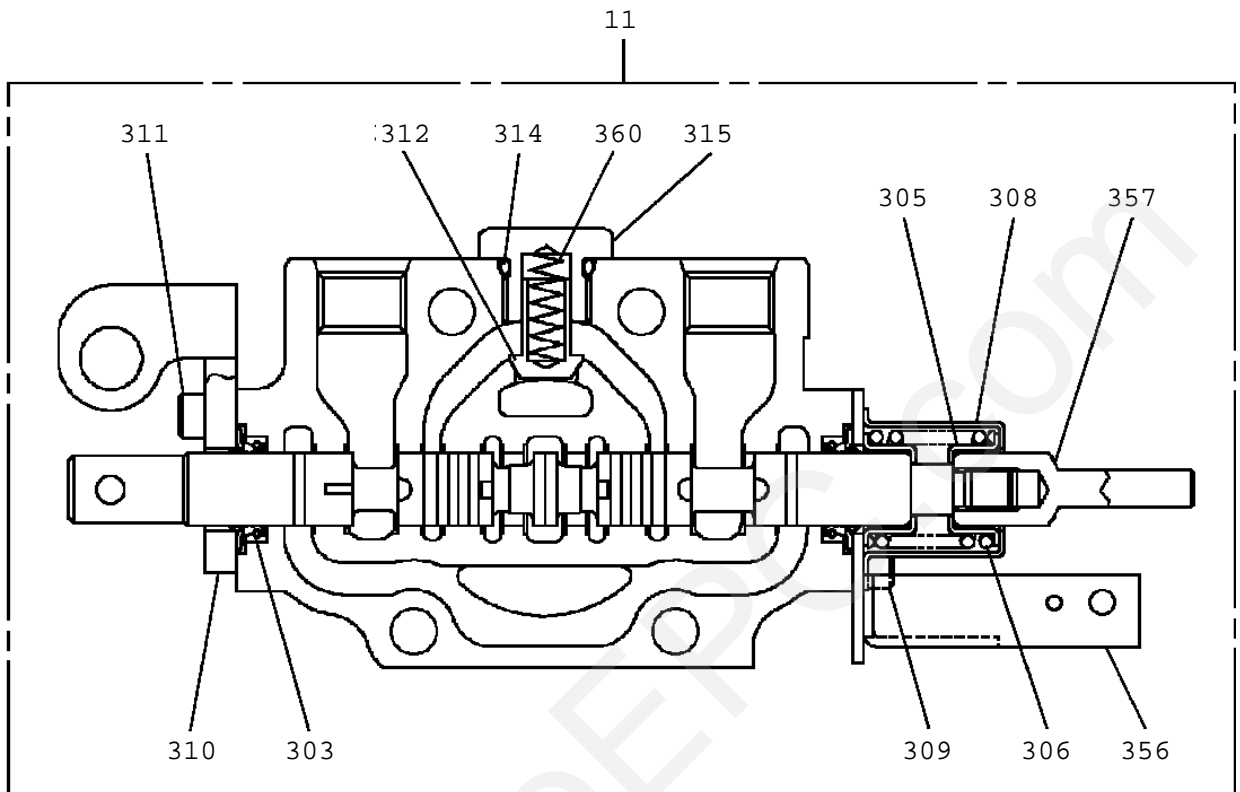
TM-ZE360 41002404034A FRAME/STANDARD, MANUAL VALVE(2.93T)
PB1320633-00 VALVE, MANUAL CONTROL



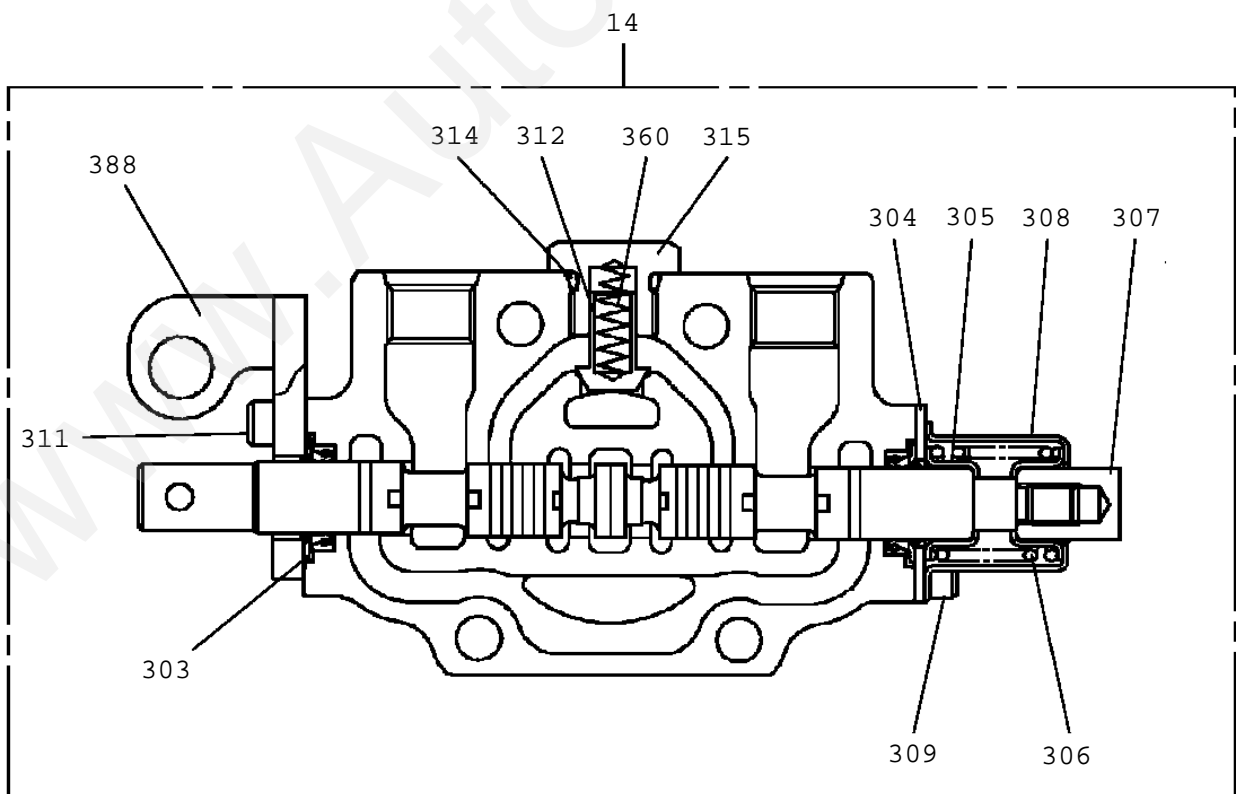
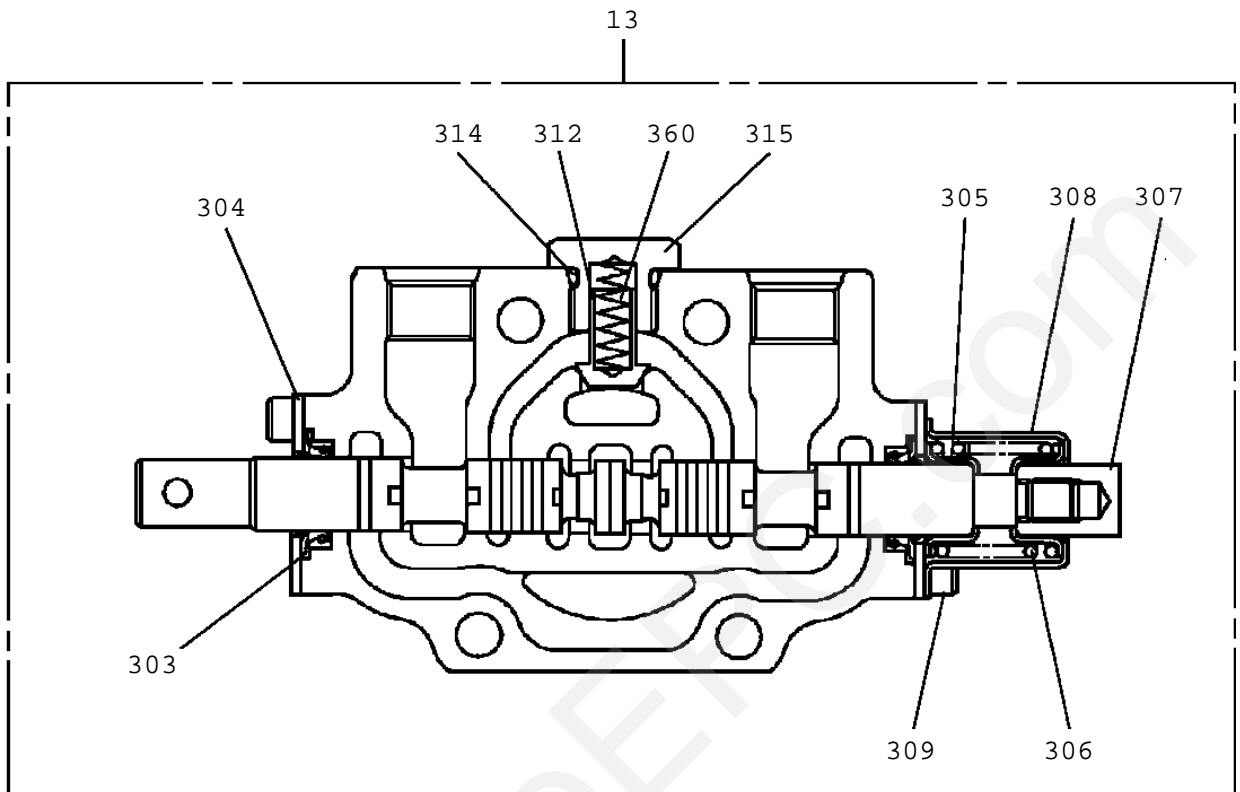
TM-ZE360 41002404034A FRAME/STANDARD, MANUAL VALVE(2.93T)
PB1320633-00 VALVE, MANUAL CONTROL



TM-ZE360 41002404034A FRAME/STANDARD, MANUAL VALVE(2.93T)
PB1320633-00 VALVE, MANUAL CONTROL



TM-ZE360 41002404034A FRAME/STANDARD, MANUAL VALVE(2.93T)
PB1320633-00 VALVE, MANUAL CONTROL



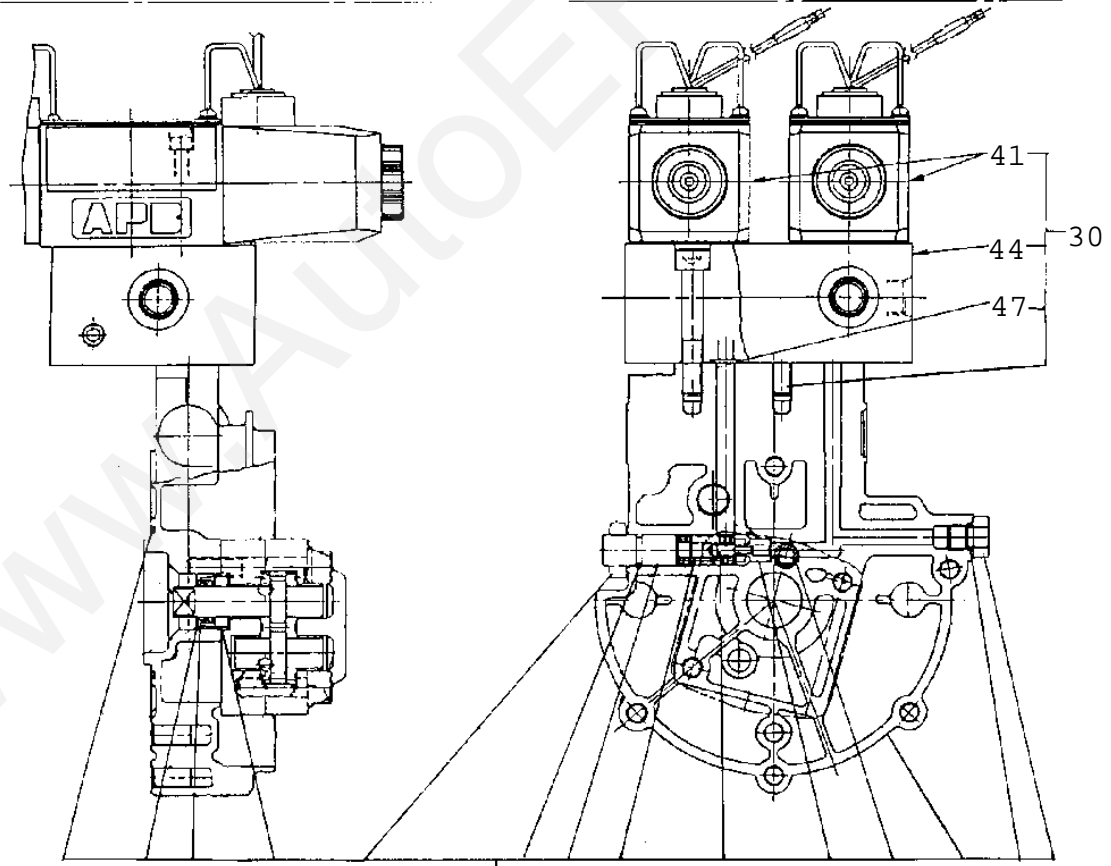
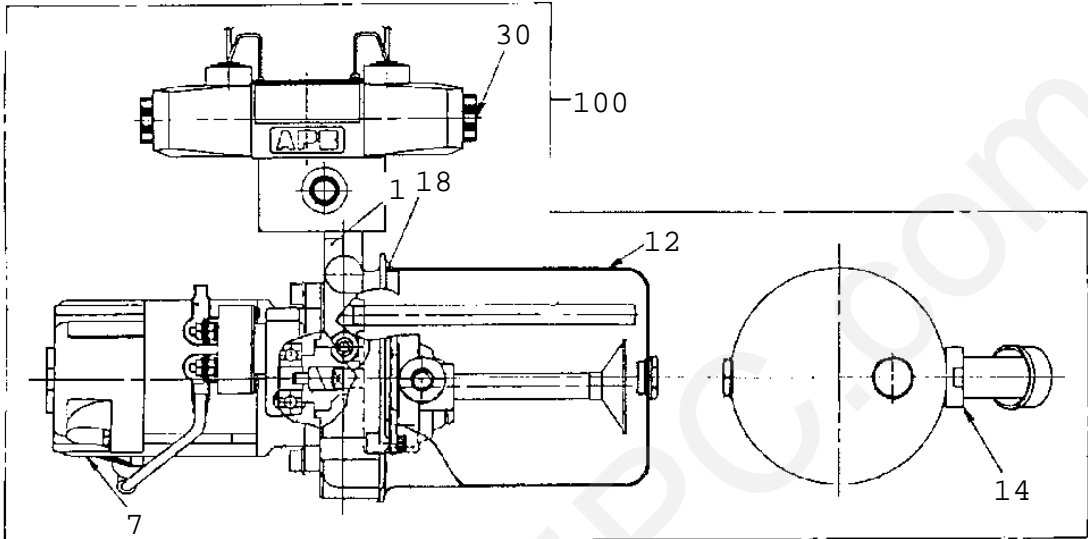
TM-ZE360 41002404034A FRAME/STANDARD, MANUAL VALVE(2.93T)

Pos No.	Parts No	Parts Name	Qty	Unit	Technical Data	Serial No
1	36644395010	BOLT,TIE (B)	1			
2	36644395020	BOLT,TIE (A)	3			
3	90201200800	NUT	8		M8	
4	36638545010	COVER (FRONT)	1			
5	36638545020	VALVE,SOLENOID	1			
6	36645615230	C-BOLT	4		5X12	
7	91001205500	O-RING	8		1A G55	
8	36638545030	VALVE,CONTROL (HOOK STOWING)	1			
9	36638545040	VALVE,CONTROL (TELESCOPING)	1			
10	36638545050	VALVE,CONTROL (WINCH)	1			
11	36638545060	VALVE,CONTROL (ELEVATING)	1			
12	36638545070	VALVE,CONTROL (SWING)	1			
13	36637475060	VALVE,CONTROL (JACK 2)	1			
14	36637475070	VALVE,CONTROL (JACK 1)	1			
15	36641555090	COVER (BOTTOM)	1			
16	36647125090	SCREW,MACHINE	6		M2.3X14	
17	36638545080	SWITCH ASSY	3			
18	36646575070	PLATE	3			
19	36647125100	NUT	6		M2.3	
20	36635735201	CAM	3			
21	36646865110	SCREW,SET	3			
22	36646575080	COVER	3			
23	80162104006	SCREW	9		M4X6	
24	36740765040	BAND	4			
25	36062635030	FASTENER	1			
26	90303070401	WASHER,PLAIN	1		4	
27	80172304010	SCREW,MACHINE	1		M4X10	
28	11615111410	BAND	3			
31	36645615090	PROTECTOR	2			
32	36081315130	PROTECTOR (THREAD)	1			
33	36645615200	PACKING	14			
34	36645615190	PLUG (DUST)	14			
35	36640755070	CAP	5			
102	36646875150	ORIFICE	2		M3	
103	91002800700	O-RING	2		1B P7	
106	36638545090	SPRING	1			
107	36601485020	SHIM (T=0.5)	1			
108	36601485030	SHIM (T=0.1)	1			
109	91001101100	O-RING	2		1A P11	
110	36637805140	PLUG	1			
111	36644115130	PLUG	1			
112	91002800800	O-RING	1		1B P8	
151	36638535030	SEAT ASSY (SEAT & POPPET)	2			
204	36646865160	SEAT,SPRING	1			
205	36635735140	SPRING (B)	1			
206	36635735130	SPRING (A)	1			
207	91001001800	O-RING	2		S18	
208	36646865150	COVER (FOR SOLENOID)	1			
209	36646865170	ROD,PUSH	1		8	
210	36646865180	VALVE,SOLENOID	1			
211	80172304010	SCREW,MACHINE	4		M4X10	
212	12635101110	SPRING (RETURN)	1			
215	91002802100	O-RING	1		1B P21	
216	91001102200	O-RING	1		1A P22	
217	36603205020	THROTTLE	1			
218	36636355010	PIPE,RELIEF	1			
219	91001000400	O-RING	1		S4	
224	36635735160	SEAT,SPRING	1			
225	36635735120	SPRING	1			
226	12635101130	SCREW (ADJUSTING)	1			
227	11629431040	PACKING	2			
228	36646575090	NUT	1			
229	36630195030	NUT,CAP	1			
230	36640735130	PLUG	1		M6	
231	36642065070	WASHER,SEAL	2			
232	90203200600	NUT	1		M6	
233	36640735140	NUT,CAP	1		M6	
234	16623320390	TUBE (SEAL)	1			
235	36640625680	TUBE (SEAL)	1			
303	36633365100	SEAL,OIL	14			
304	36633365060	PLATE (B)	8			
305	36645495210	SEAT,SPRING (RETURN)	14			
306	36633365050	SPRING (RETURN)	7			
307	36633365070	ADAPTER	4			

TM-ZE360 41002404034A FRAME/STANDARD,MANUAL VALVE(2.93T)

Pos No.	Parts No	Parts Name	Qty	Unit	Technical Data	Serial No
308	36637475090	CAP	7			
309	36645615260	C-BOLT	22		M5X8	
310	36645845050	LINK	2			
311	36645615230	C-BOLT	6		5X12	
312	12635101360	SPOOL	7			
313	36635735150	SPRING (CHECK VALVE)	3			
314	91001101400	O-RING	7		1A P14	
315	36633365090	CAP (CHECK VALVE)	7			
356	36646575100	BRACKET	3			
357	36645495220	ADAPTER	3			
360	12635101190	SPRING	4			
388	36633365080	LINK	1			
500	36638540000	VALVE,MANUAL CONTROL	1			

www.AutoEPC.com

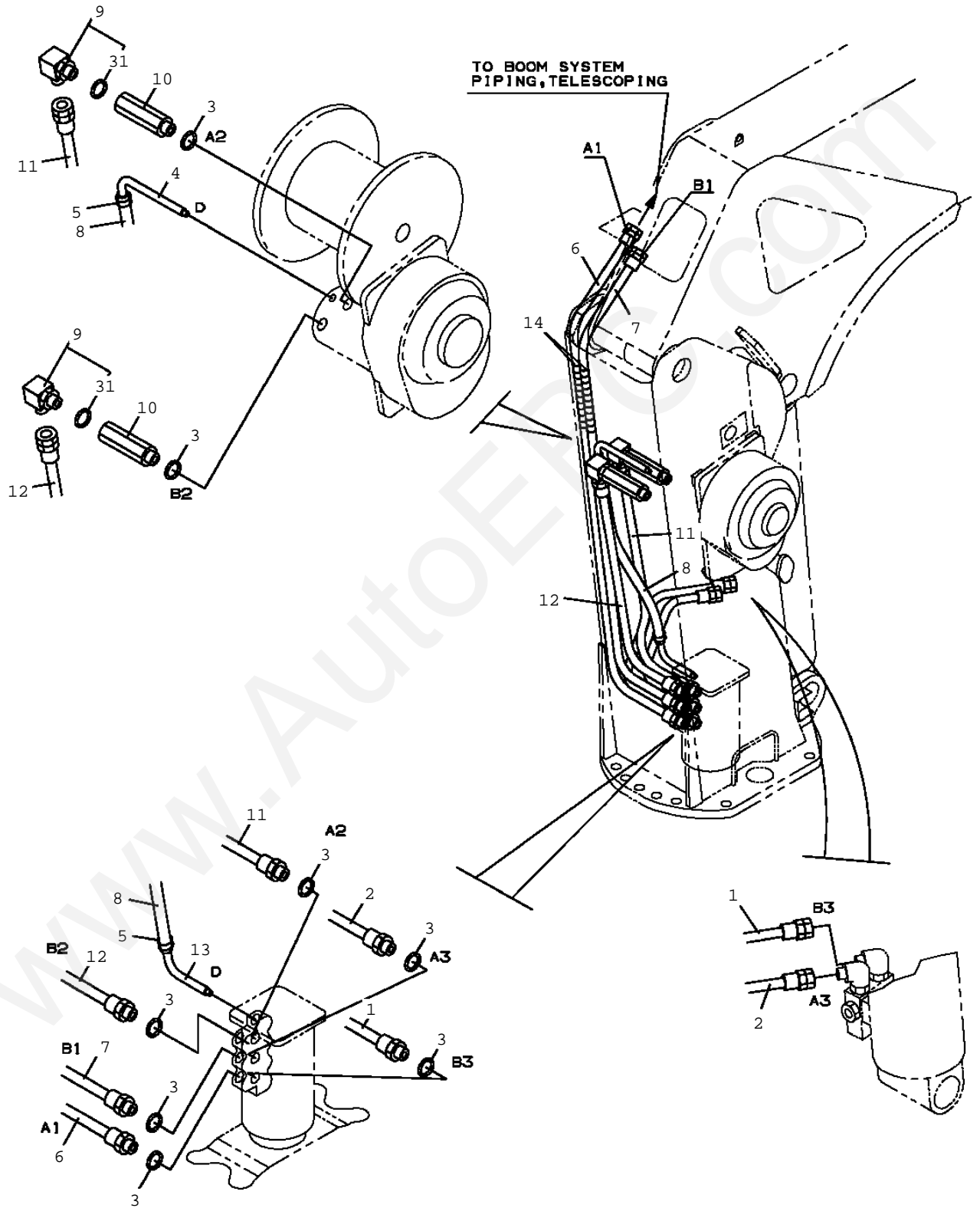


TM-ZE360 41002404034A FRAME/STANDARD,MANUAL VALVE(2.93T)

Pos No.	Parts No	Parts Name	Qty	Unit	Technical Data	Serial No (Start)
1	31611617510	ADAPTER ASSY	1			
7	31611617590	MOTOR ASSY	1			
12	31611617530	TANK	1			
14	31611617540	CAP (OIL FILLER)	1			
18	44550417860	GASKET (WITH O-RING)	1			
30	31611617550	VALVE ASSY	1			
41	31611617560	VALVE,SOLENOID	2			
44	31611617570	MANIFOLD	1			
47	31611617580	O-RING	2			
100	31611613101	POWER SUPPLY	1			

www.AutoEPC.com

TM-ZE360 41002404034A FRAME/STANDARD, MANUAL VALVE (2.93T)
PB1400439-01 PIPING, UPPER

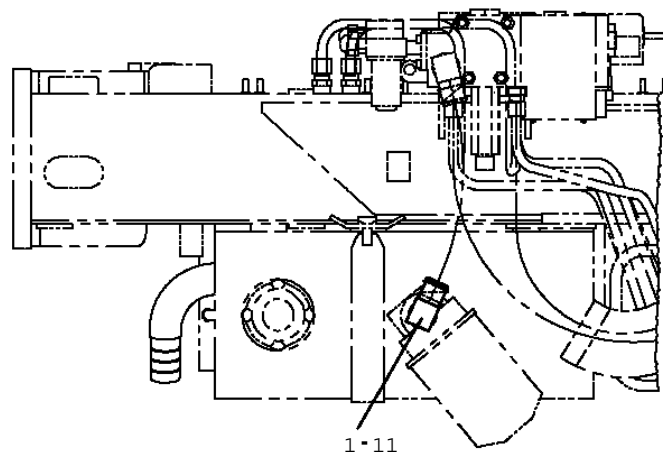
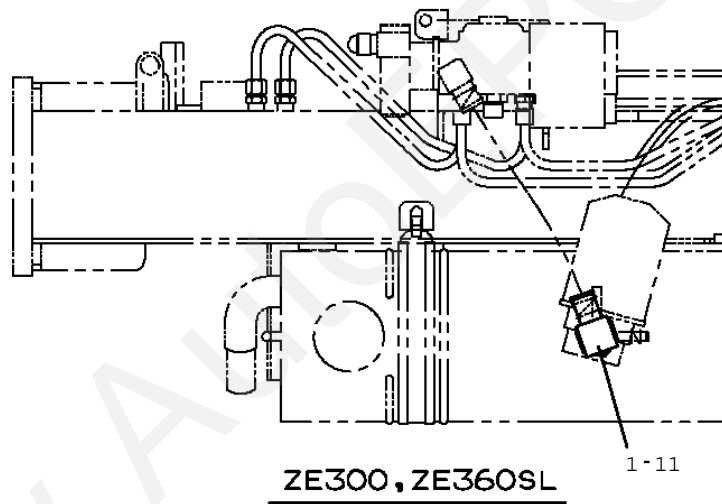
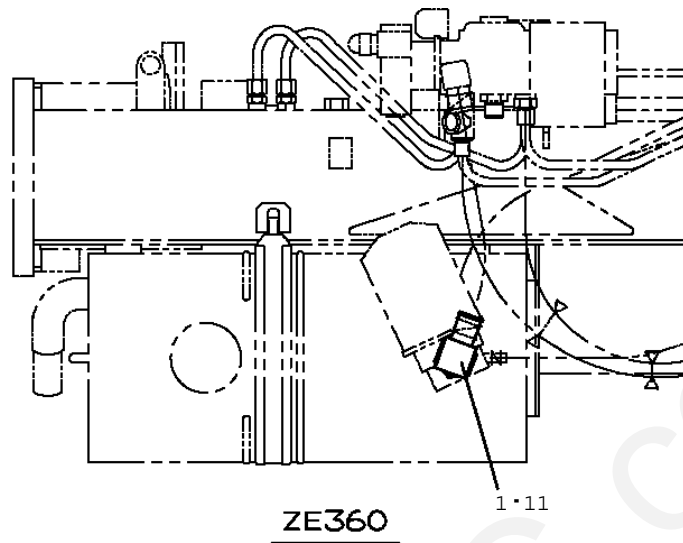


TM-ZE360 41002404034A FRAME/STANDARD,MANUAL VALVE(2.93T)

Pos No.	Parts No	Parts Name	Qty	Unit	Technical Data	Serial No (Start)
1	37002465150	HOSE	1		L=425	
2	37002471640	HOSE	1		L=360	
3	91002801400	O-RING	8		1B P14	
4	37000804580	JOINT	1			
5	91803880070	CLIP	2		D=13.1-16.2	
6	37002459330	HOSE	1		L=1360	
7	37002459320	HOSE	1		L=1300	
8	37002501360	HOSE	1		L=450	
9	80430620600	JOINT (WITH O-RING)	2		L,G3/8-G3/8	
10	37000920990	JOINT	2			
11	37002480680	HOSE	1		L=600	
	37002448850	HOSE	1		L=600	
12	37002480670	HOSE	1		L=560	
	37002448860	HOSE	1		L=560	
13	37000800310	JOINT	1			
14	82100001412	TUBE,SPIRAL	1	M	SE-12BK	
31	91002801400	O-RING	2		1B P14	

www.AutoEPC.com

TM-ZE360 41002404034A FRAME/STANDARD, MANUAL VALVE (2.93T)
PB1411919-02 PIPING, LOWER (JOINT FOR RETURN FILTER)

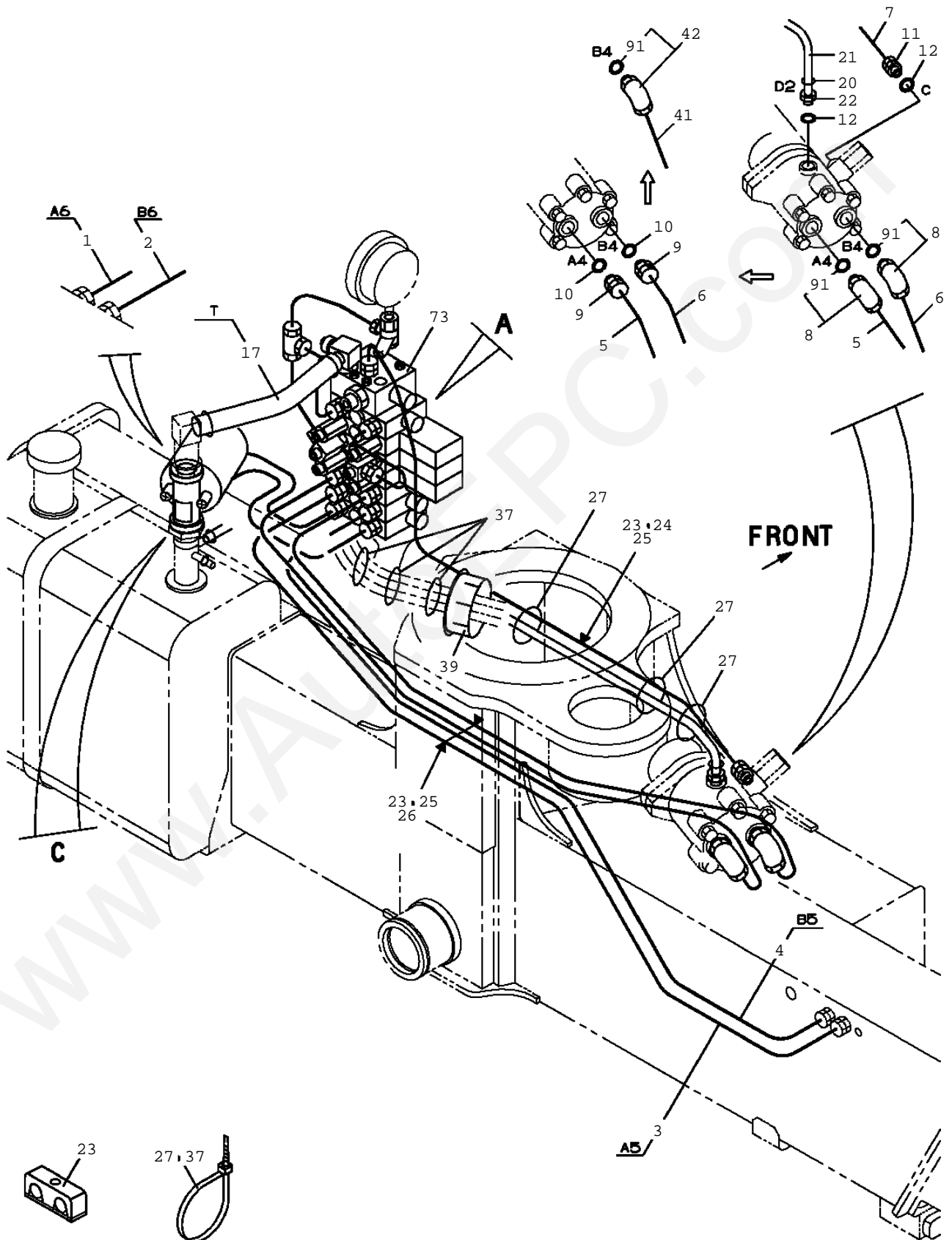


TM-ZE360 41002404034A FRAME/STANDARD,MANUAL VALVE(2.93T)

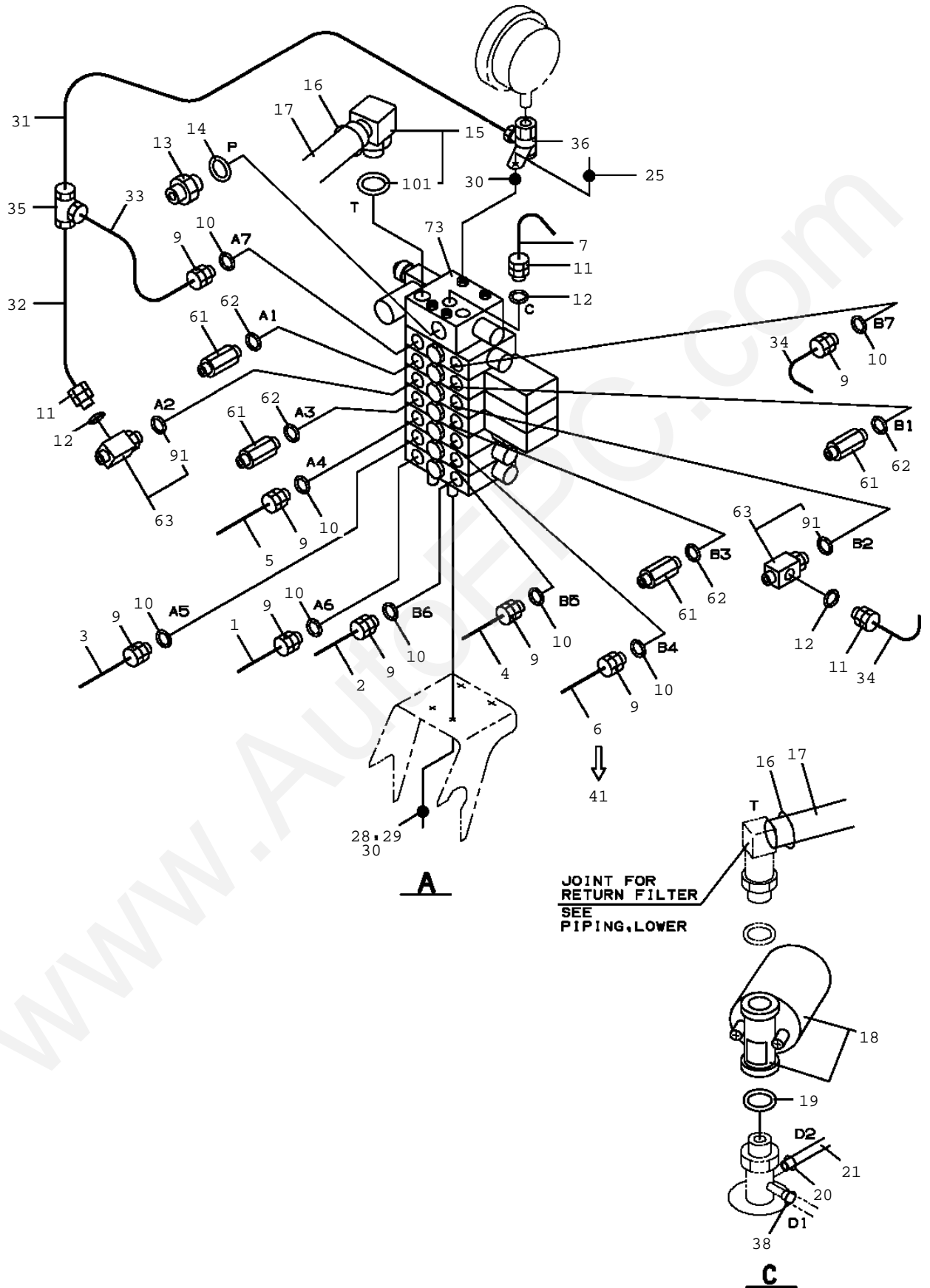
Pos No.	Parts No	Parts Name	Qty	Unit	Technical Data	Serial No (St
1	80400160202	JOINT (FOR RETURN FILTER)	1			
11	91002802900	O-RING	1		1B P29	

www.AutoEPC.com

TM-ZE360 41002404034A FRAME/STANDARD, MANUAL VALVE (2.93T)
PB1411945-03 PIPING, LOWER



TM-ZE360 41002404034A FRAME/STANDARD, MANUAL VALVE (2.93T)
 PB1411945-03 PIPING, LOWER



TM-ZE360 41002404034A FRAME/STANDARD, MANUAL VALVE(2.93T)

Pos No.	Parts No	Parts Name	Qty	Unit	Technical Data	Serial No (
1	81408000100	PIPE,STEEL	1	M	10X1.2T	
2	81408000100	PIPE,STEEL	1	M	10X1.2T	
3	81408000100	PIPE,STEEL	2	M	10X1.2T	
4	81408000100	PIPE,STEEL	2	M	10X1.2T	
5	81408000100	PIPE,STEEL	2	M	10X1.2T	
7	81408000100	PIPE,STEEL	2	M	10X1.2T	
9	80302090121	FITTING	9		KCO10-030N	
10	91002801400	O-RING	9		1B P14	
11	80302090101	FITTING	4		KCO10-020N	
12	91002801100	O-RING	5		1B P11	
13	80481004042	JOINT	1			
14	91002801800	O-RING	1		1B P18	
15	80400160182	JOINT (WITH O-RING)	1			
16	91803600400	CLIP	2		D=27-40	
17	37002510990	HOSE	1		L=310	
18	36672280000	FILTER,OIL (YAMASHIN)	1			
19	91002802900	O-RING	1		1B P29	
20	91803880070	CLIP	2		D=13.1-16.2	
21	37002513350	HOSE	1		L=1400	
22	31644591300	JOINT	1			
23	37005700130	CLAMP	3		10X2	
24	90101208035	BOLT	1		M8X35	
25	90280200800	NUT,FLANGE	3		M8	
26	90101208055	BOLT	1		M8X55	
27	91810130240	FASTENER	3			
28	90201780800	NUT	4		M8	
29	90302040801	WASHER,SPRING	4		8	
30	90303070801	WASHER,PLAIN	5		8	
31	81408000100	PIPE,STEEL	1	M	10X1.2T	
32	81408000100	PIPE,STEEL	1	M	10X1.2T	
33	81408000100	PIPE,STEEL	1	M	10X1.2T	
34	81408000100	PIPE,STEEL	2	M	10X1.2T	
35	80305010080	FITTING,TEE	1		KTA10-000N	
36	31644592100	JOINT,ROTARY	1			
37	91810130270	FASTENER	3			
38	91803600200	CLIP	1		D=13-20	
39	31644591400	COVER	1			
41	81408000100	PIPE,STEEL	2	M	10X1.2T	
42	80303130121	FITTING,ELBOW (WITH O-RING)	1		KLO10-030E	
61	80481003037	JOINT	4			
62	91002801400	O-RING	4		1B P14	
63	80400160180	JOINT (WITH O-RING)	2			
73	36638540000	VALVE,MANUAL CONTROL	1			
91	91002801400	O-RING	3		1B P14	
101	91002801800	O-RING	1		1B P18	

- POWER TAKE OFF
- パワー テイク オフの選定

[NOTE]

(1) POWER TAKE OFF
IS SUPPLIED FROM THE
VEHICLE MANUFACTURE.

[注 意]

(1) パワーテイクオフは、車両メーカー品です。

- PUMP
- ポンプの選定

key No 指示番号	PUMP MODEL ポンプ型式番号	RUNNING DIRECTION 回転方向
1	SGP2-52D2H9-L226	COUNTERCLOCKWISE 左
2	SGP2-52D2H9-R234	CLOCKWISE 右

[NOTE]

(1) PUMP MODEL NOS. ARE PUNCHED
ON PUMP NAMEPLATES.

(2) THE PUMP RUNNING DIRECTION
IS VIEWED FROM THE SHAFT
TOWARD THE PUMP.

[注 意]

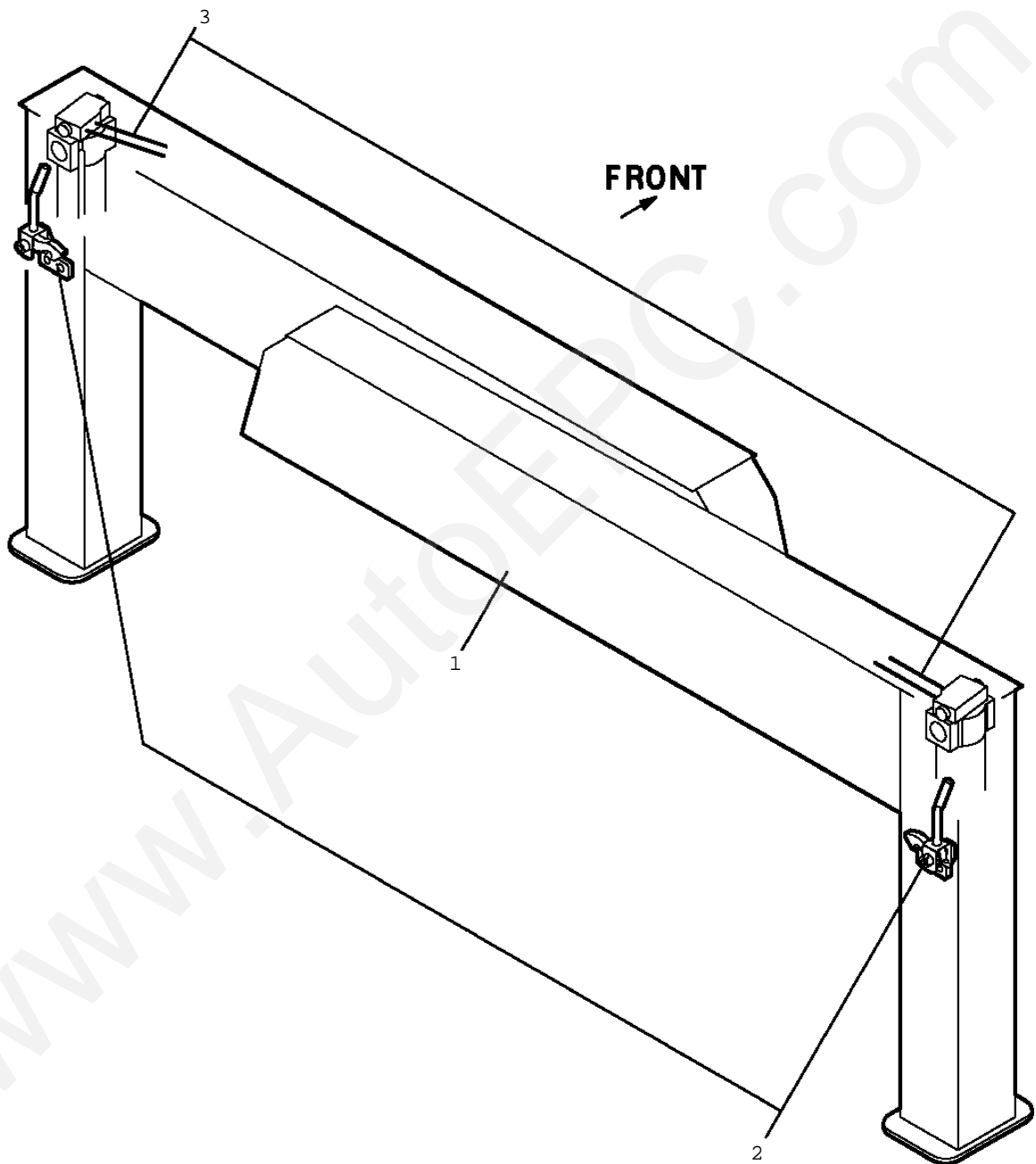
- (1) ポンプ型式番号はポンプ本体の銘板に打刻しています。
- (2) ポンプの回転方向はポンプの軸端から見ての回転方向です。

TM-ZE360 41002404034A FRAME/STANDARD,MANUAL VALVE(2.93T)

Pos No.	Parts No	Parts Name	Qty	Unit	Technical Data	Serial No (Start)	Serial No (End)
1	36653330000	PUMP, HYDRAULIC	1				
2	36654340000	PUMP, HYDRAULIC	1				

www.AutoEPC.com

TM-ZE360 41002404034A FRAME/STANDARD, MANUAL VALVE (2.93T)
PC1011345-00 OUTRIGGER (FOR 4TON)

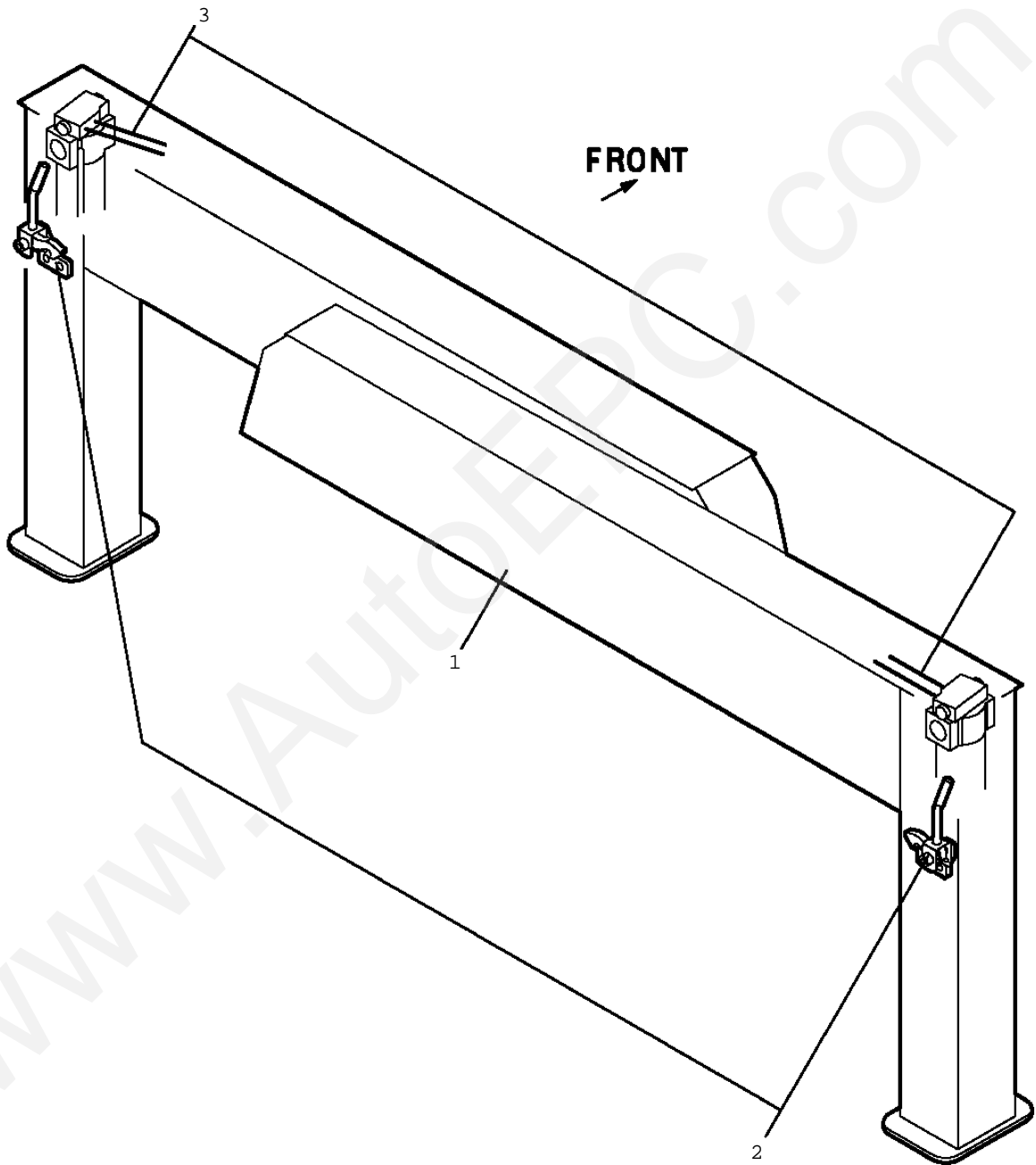


TM-ZE360 41002404034A FRAME/STANDARD,MANUAL VALVE(2.93T)

Pos No.	Parts No	Parts Name	Qty	Unit	Technical Data	Serial No (Star
1	(*****)	OUTRIGGER (FOR 4TON)	1			
2	(*****)	LOCK ASSY (OUTRIGGER)	1			
3	(*****)	PIPING,OUTRIGGER	1			

www.AutoEPC.com

TM-ZE360 41002404034A FRAME/STANDARD, MANUAL VALVE (2.93T)
PC1011348-00 OUTRIGGER (FOR 5.5TON BASE 7TON)

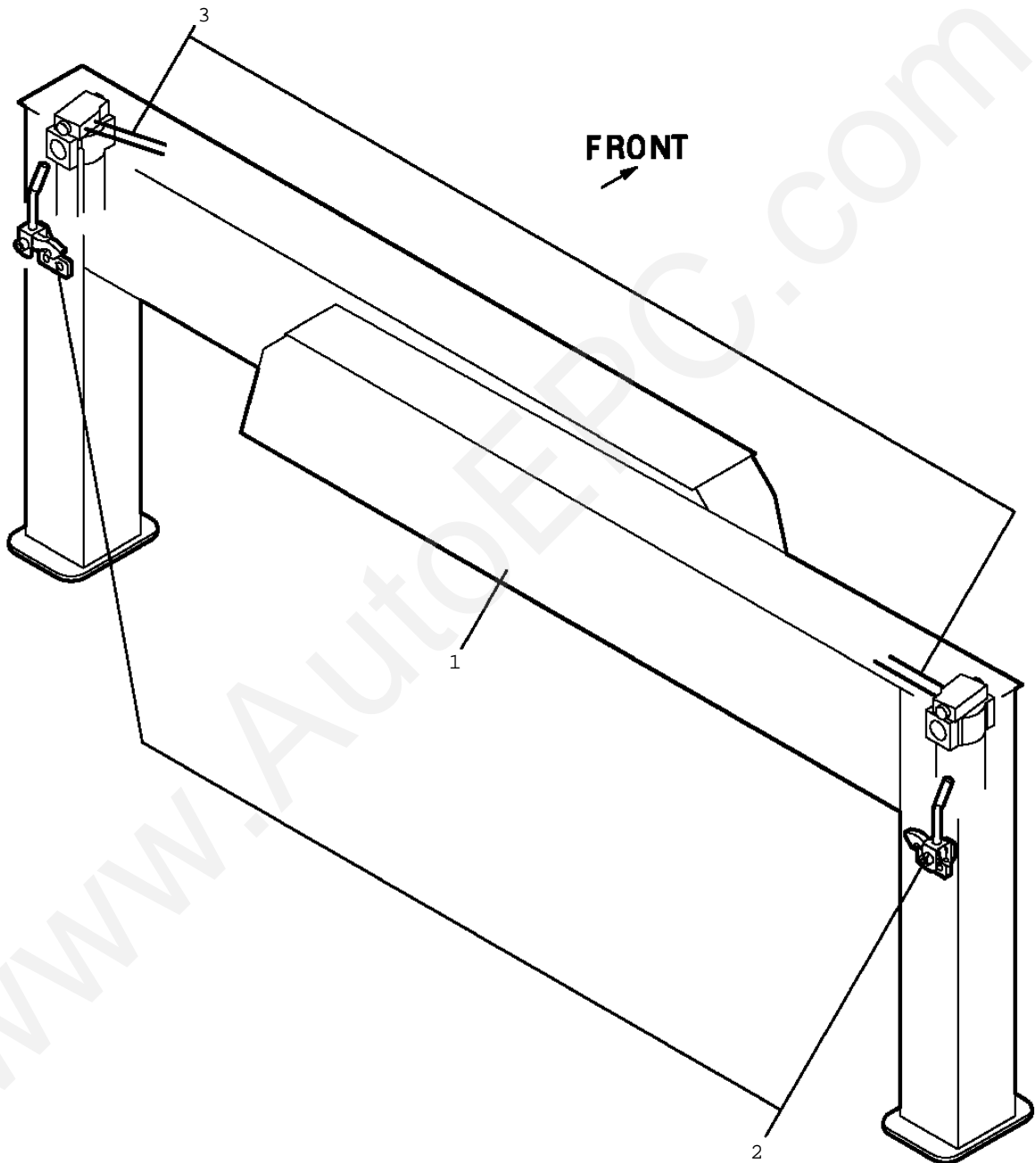


TM-ZE360 41002404034A FRAME/STANDARD,MANUAL VALVE(2.93T)

Pos No.	Parts No	Parts Name	Qty	Unit	Technical Data	Seri
1	(*****)	OUTRIGGER (FOR 5.5TON BASE 7TON)	1			
2	(*****)	LOCK ASSY (OUTRIGGER)	1			
3	(*****)	PIPING,OUTRIGGER	1			

www.AutoEPC.com

TM-ZE360 41002404034A FRAME/STANDARD, MANUAL VALVE (2.93T)
PC1011351-00 OUTRIGGER (FOR 6-7TON)

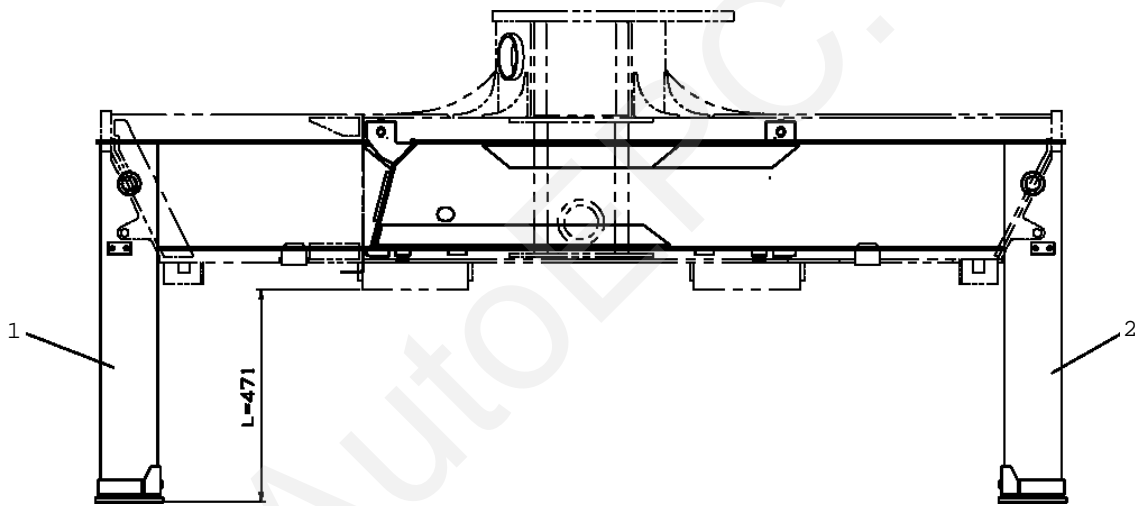


TM-ZE360 41002404034A FRAME/STANDARD,MANUAL VALVE(2.93T)

Pos No.	Parts No	Parts Name	Qty	Unit	Technical Data	Serial No (Sta
1	(*****)	OUTRIGGER (FOR 6-7TON)	1			
2	(*****)	LOCK ASSY (OUTRIGGER)	1			
3	(*****)	PIPING,OUTRIGGER	1			

www.AutoEPC.com

TM-ZE360 41002404034A FRAME/STANDARD, MANUAL VALVE (2.93T)
PC1011386-00 OUTRIGGER (FOR 4TON)

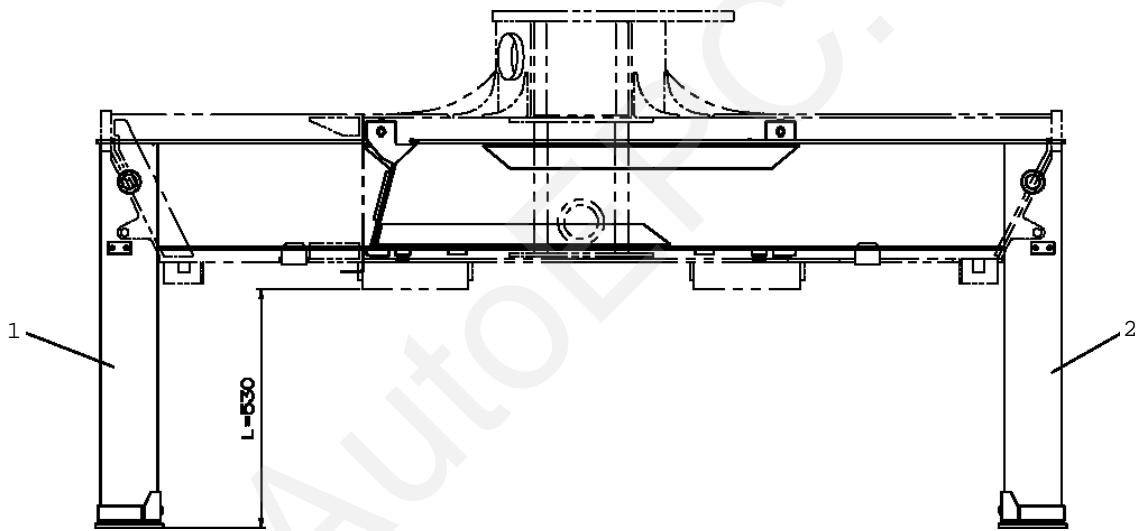


TM-ZE360 41002404034A FRAME/STANDARD,MANUAL VALVE(2.93T)

Pos No.	Parts No	Parts Name	Qty	Unit	Technical Data	Serial No (Start)	Se
1	31613600101	OUTRIGGER (LEFT)	1				
2	31613600201	OUTRIGGER (RIGHT)	1				

www.AutoEPC.com

TM-ZE360 41002404034A FRAME/STANDARD, MANUAL VALVE(2.93T)
PC1011387-00 OUTRIGGER (FOR 5.5TON BASE 7TON)

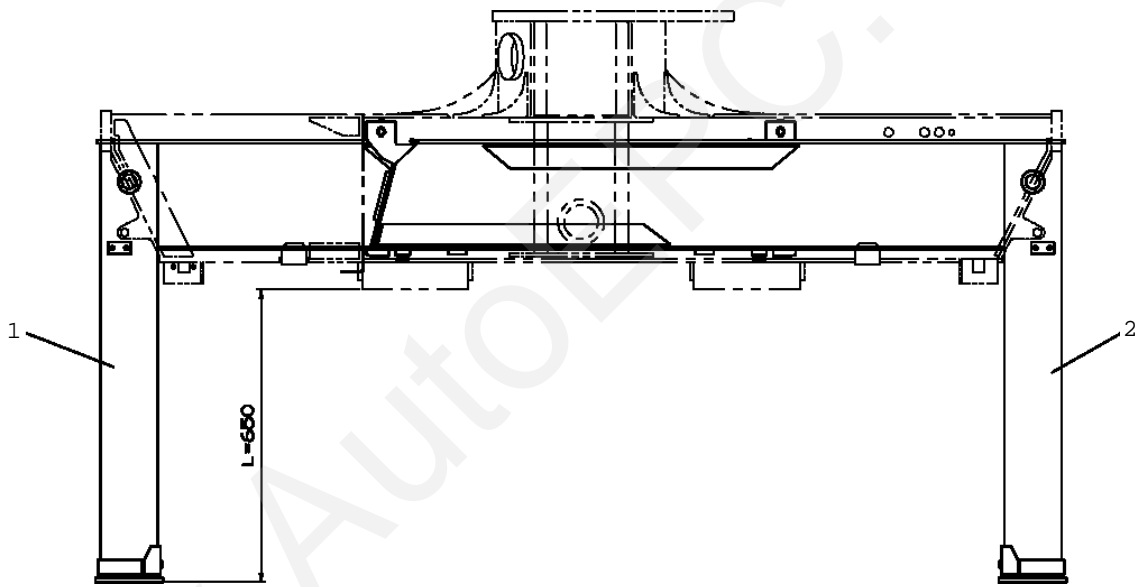


TM-ZE360 41002404034A FRAME/STANDARD,MANUAL VALVE(2.93T)

Pos No.	Parts No	Parts Name	Qty	Unit	Technical Data	Serial No (Start)	Se
1	31613610101	OUTRIGGER (LEFT)	1				
2	31613610201	OUTRIGGER (RIGHT)	1				

www.AutoEPC.com

TM-ZE360 41002404034A FRAME/STANDARD, MANUAL VALVE (2.93T)
PC1011388-00 OUTRIGGER (FOR 6-7TON)

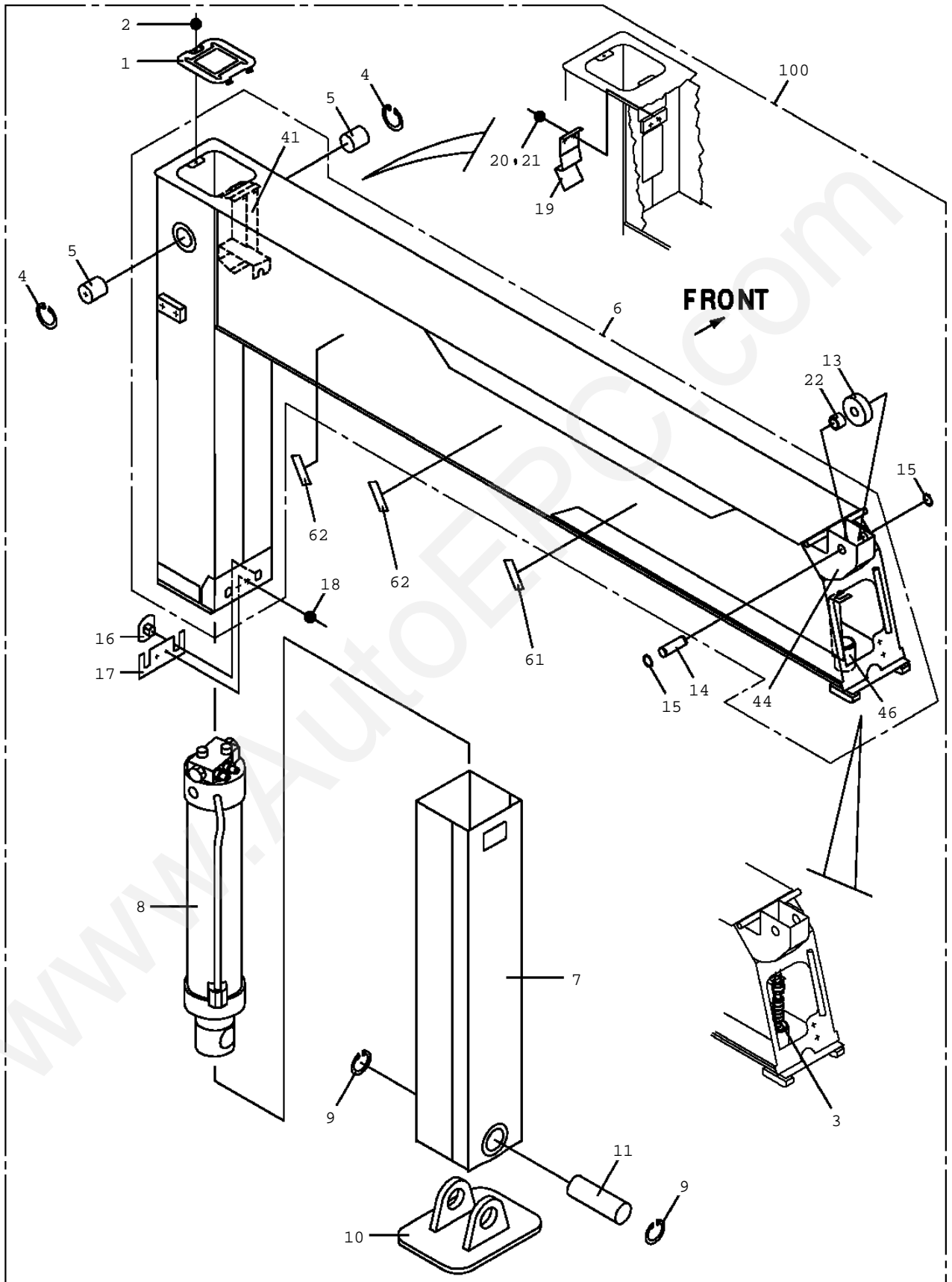


TM-ZE360 41002404034A FRAME/STANDARD,MANUAL VALVE(2.93T)

Pos No.	Parts No	Parts Name	Qty	Unit	Technical Data	Serial No (Start)	Se
1	31613840101	OUTRIGGER (LEFT)	1				
2	31613840201	OUTRIGGER (RIGHT)	1				

www.AutoEPC.com

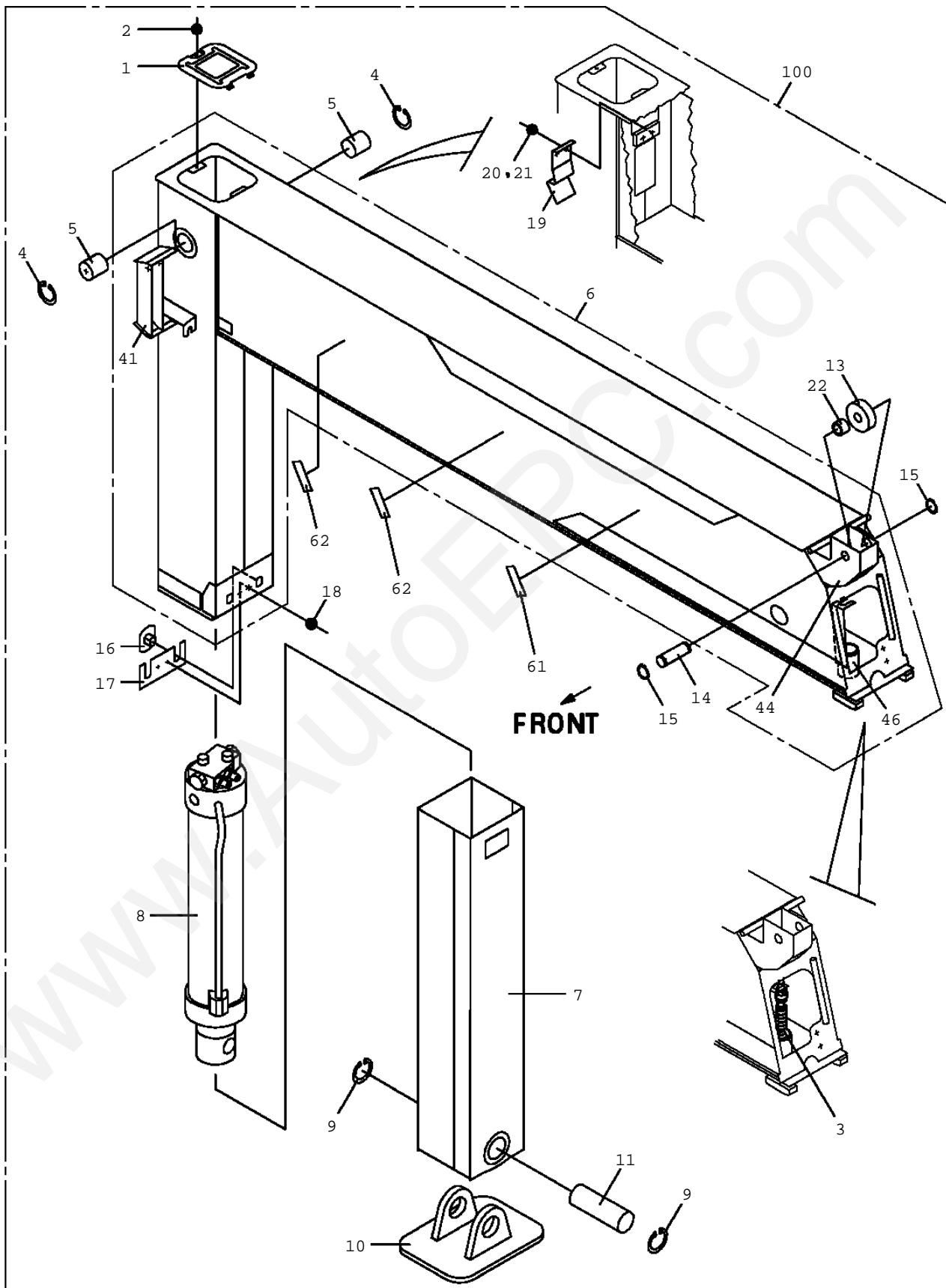
TM-ZE360 41002404034A FRAME/STANDARD, MANUAL VALVE (2.93T)
PC1011515-00 OUTRIGGER (LEFT)



TM-ZE360 41002404034A FRAME/STANDARD,MANUAL VALVE(2.93T)

Pos No.	Parts No	Parts Name	Qty	Unit	Technical Data	Serial No (St
1	31613570500	COVER	1			
2	80189305008	SCREW,MACHINE	1		M5X8	
3	(*****)	OPE.ASSY,OUTRIGGER	1			
4	80602110300	RING,RITAINING	2		R30	
5	37000146990	PIN	2			
6	31613602001	CASE,OUTER	1			
7	31613603000	CASE,INNER	1			
8	(*****)	CYLINDER,JACK (MIN.657)	1			
9	80602110350	RING,RITAINING	2		R35	
10	31610810600	FLOAT	1			
11	37000150760	PIN	1			
13	31620582020	BEARING,BALL (KOYO)	1			
14	37000150360	PIN	1			
15	80601110150	RING,RITAINING	2		15	
16	31201770100	PLATE,SLIDE	2		T=3.0	
17	31612502100	PLATE	1			
18	90186206010	BOLT,FLANGE	2		M6X10	
19	31611640150	SPRING	1			
20	90180208016	BOLT,BUTTON	2		M8X16	
21	90302040801	WASHER,SPRING	2		8	
22	37000310360	SPACER	1		L=15	
41	31613572400	SUPPORT	1			
44	31613612500	SUPPORT (WELDED)	1			
	31613612800	SUPPORT (STEEL CAST)	1			
46	31613572600	SUPPORT	1			
61	31611300500	PLATE,NAME (WHITE)	2			
62	31611300600	PLATE,NAME (YELLOW)	4			
100	31613600101	OUTRIGGER (LEFT)	1			

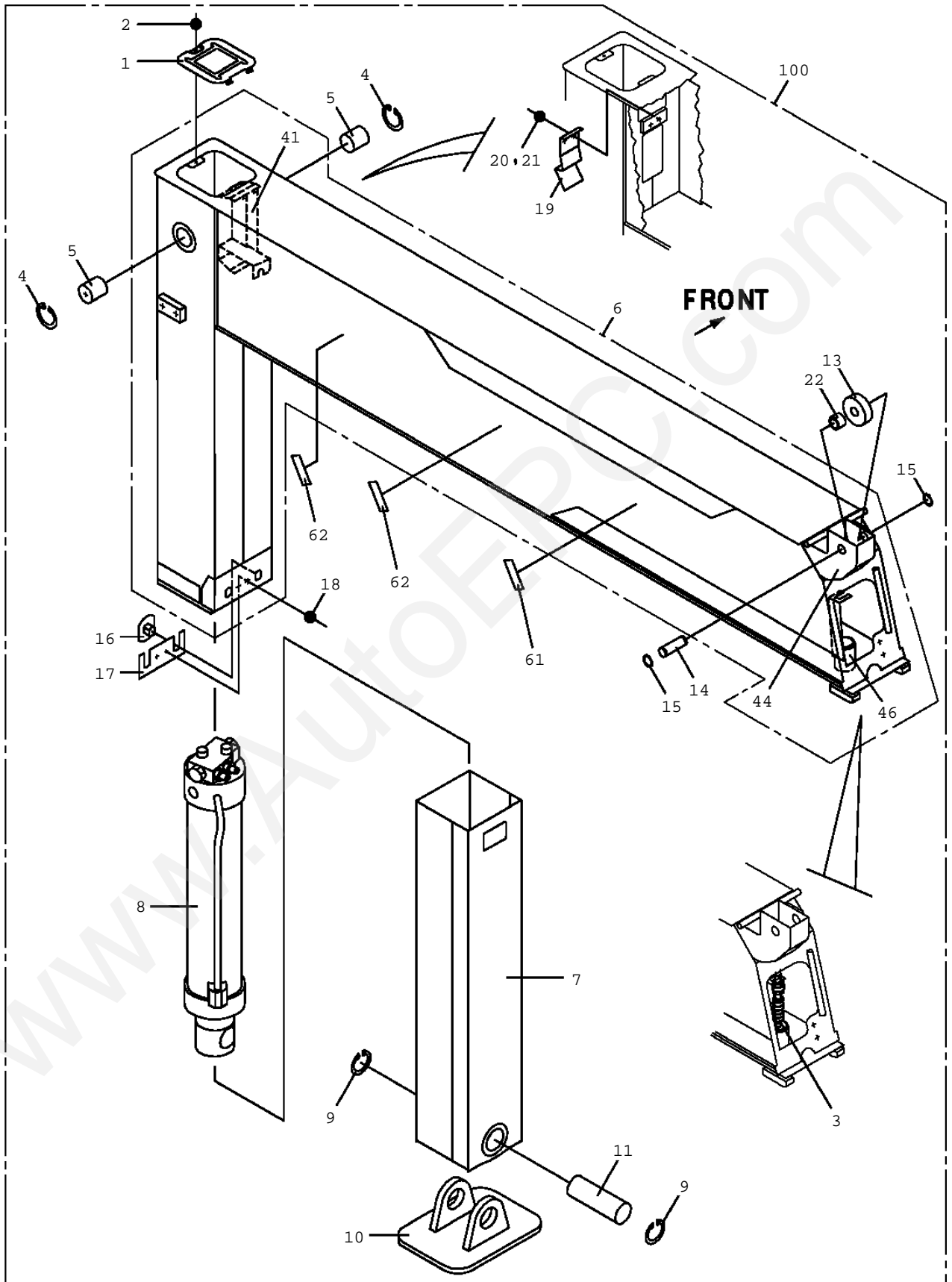
TM-ZE360 41002404034A FRAME/STANDARD, MANUAL VALVE (2.93T)
PC1011516-00 OUTRIGGER (RIGHT)



TM-ZE360 41002404034A FRAME/STANDARD,MANUAL VALVE(2.93T)

Pos No.	Parts No	Parts Name	Qty	Unit	Technical Data	Serial No (St
1	31613570500	COVER	1			
2	80189305008	SCREW,MACHINE	1		M5X8	
3	(*****)	OPE.ASSY,OUTRIGGER	1			
4	80602110300	RING,RITAINING	2		R30	
5	37000146990	PIN	2			
6	31613604001	CASE, OUTER	1			
7	31613603000	CASE, INNER	1			
8	(*****)	CYLINDER,JACK (MIN.657)	1			
9	80602110350	RING,RITAINING	2		R35	
10	31610810600	FLOAT	1			
11	37000150760	PIN	1			
13	31620582020	BEARING,BALL (KOYO)	1			
14	37000150360	PIN	1			
15	80601110150	RING,RITAINING	2		15	
16	31201770100	PLATE,SLIDE	2		T=3.0	
17	31612502100	PLATE	1			
18	90186206010	BOLT,FLANGE	2		M6X10	
19	31611640150	SPRING	1			
20	90180208016	BOLT,BUTTON	2		M8X16	
21	90302040801	WASHER,SPRING	2		8	
22	37000310360	SPACER	1		L=15	
41	31613604400	SUPPORT	1			
44	31613612500	SUPPORT (WELDED)	1			
	31613612800	SUPPORT (STEEL CAST)	1			
46	31613572600	SUPPORT	1			
61	31611300500	PLATE,NAME (WHITE)	2			
62	31611300600	PLATE,NAME (YELLOW)	4			
100	31613600201	OUTRIGGER (RIGHT)	1			

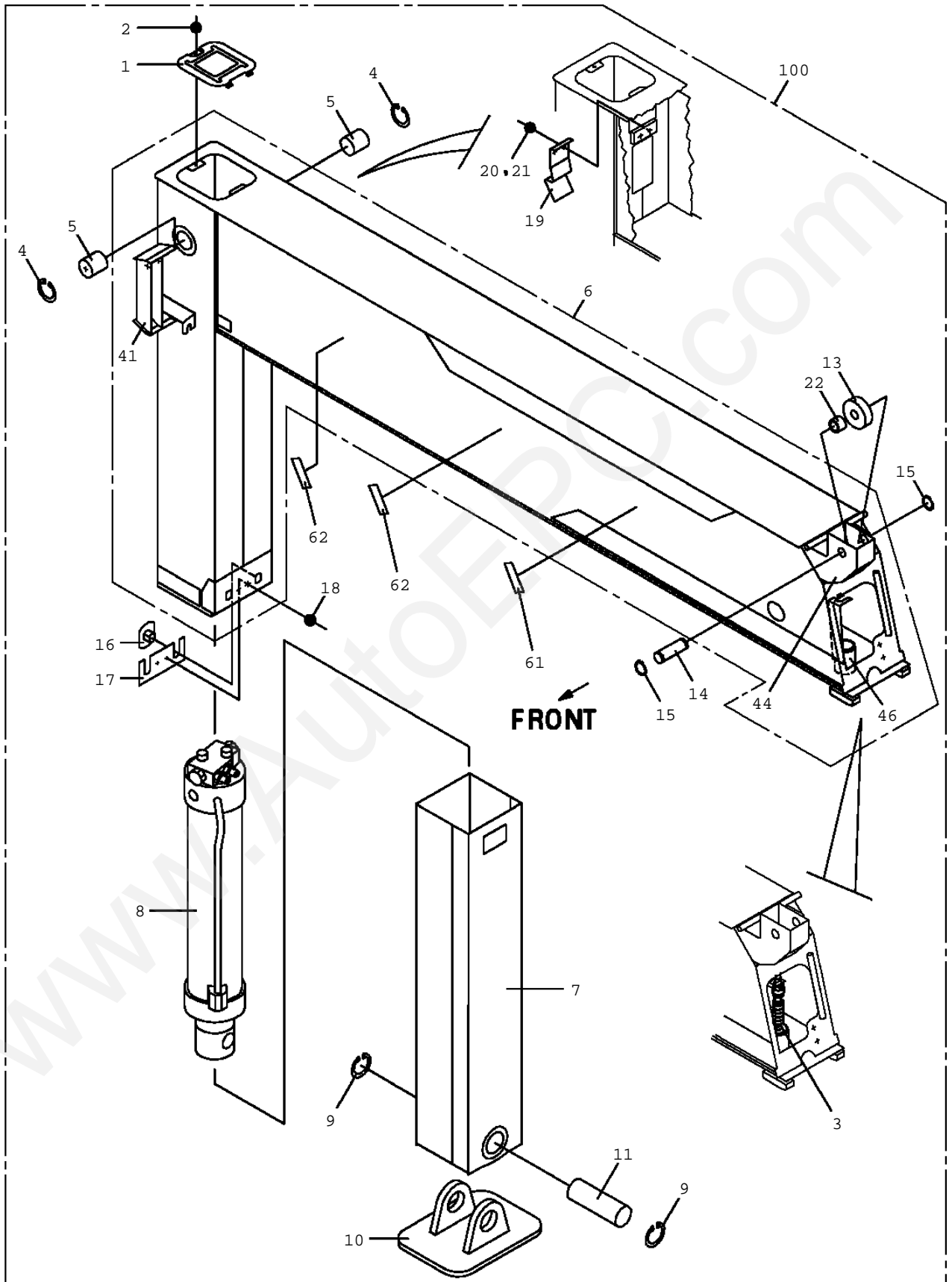
TM-ZE360 41002404034A FRAME/STANDARD, MANUAL VALVE (2.93T)
PC1011519-00 OUTRIGGER (LEFT)



TM-ZE360 41002404034A FRAME/STANDARD,MANUAL VALVE(2.93T)

Pos No.	Parts No	Parts Name	Qty	Unit	Technical Data	Serial No (St
1	31613570500	COVER	1			
2	80189305008	SCREW,MACHINE	1		M5X8	
3	(*****)	OPE.ASSY,OUTRIGGER	1			
4	80602110300	RING,RITAINING	2		R30	
5	37000146990	PIN	2			
6	31613612001	CASE,OUTER	1			
7	31613613000	CASE,INNER	1			
8	(*****)	CYLINDER,JACK (MIN.719)	1			
9	80602110350	RING,RITAINING	2		R35	
10	31610810600	FLOAT	1			
11	37000150760	PIN	1			
13	31620582020	BEARING,BALL (KOYO)	1			
14	37000150360	PIN	1			
15	80601110150	RING,RITAINING	2		15	
16	31201770100	PLATE,SLIDE	2		T=3.0	
17	31612502100	PLATE	1			
18	90186206010	BOLT,FLANGE	2		M6X10	
19	31611640150	SPRING	1			
20	90180208016	BOLT,BUTTON	2		M8X16	
21	90302040801	WASHER,SPRING	2		8	
22	37000310360	SPACER	1		L=15	
41	31613572400	SUPPORT	1			
44	31613612800	SUPPORT (STEEL CAST)	1			
	31613612500	SUPPORT (WELDED)	1			
46	31613572600	SUPPORT	1			
61	31611300500	PLATE,NAME (WHITE)	2			
62	31611300600	PLATE,NAME (YELLOW)	4			
100	31613610101	OUTRIGGER (LEFT)	1			

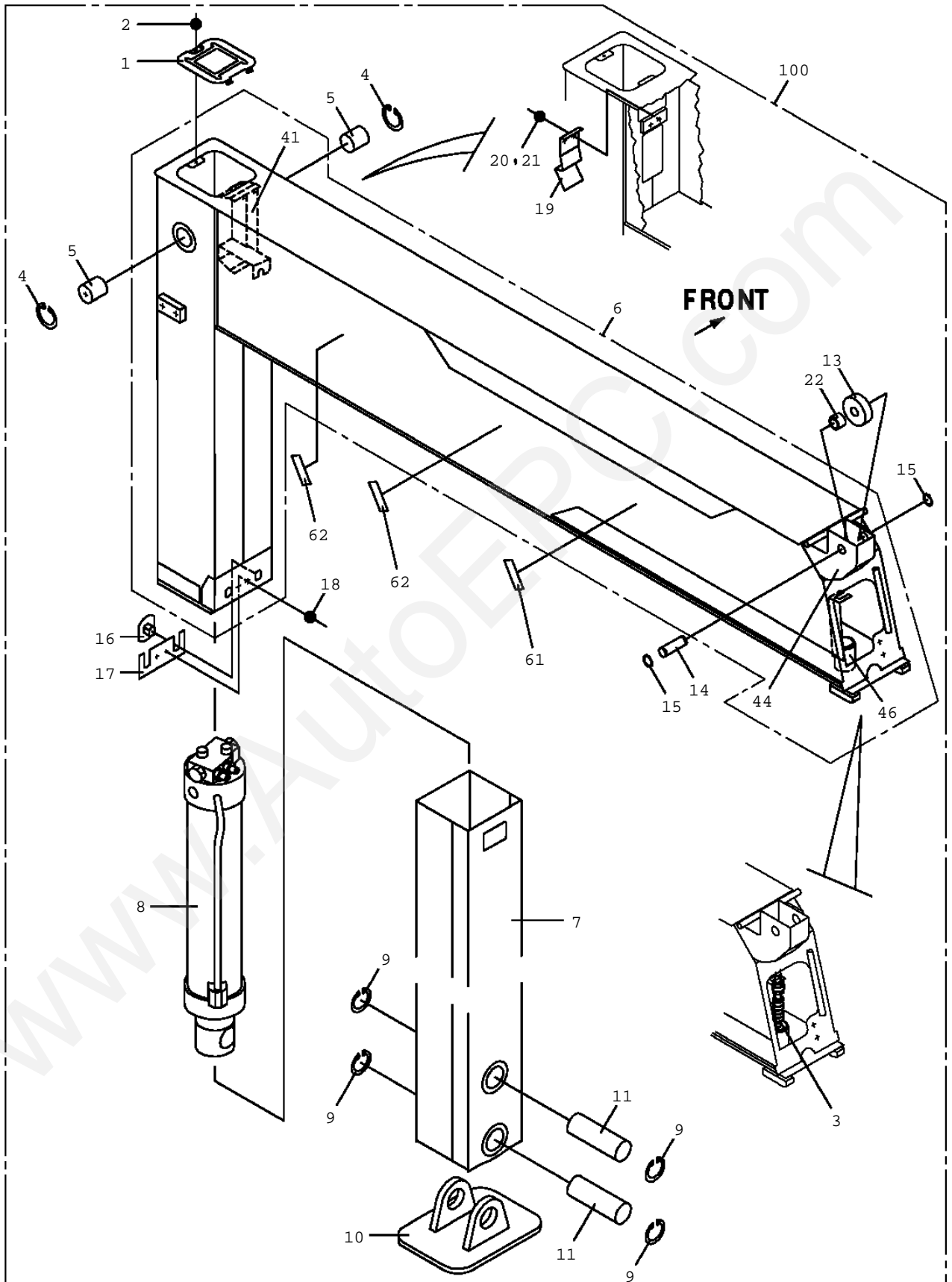
TM-ZE360 41002404034A FRAME/STANDARD, MANUAL VALVE (2.93T)
PC1011520-00 OUTRIGGER (RIGHT)



TM-ZE360 41002404034A FRAME/STANDARD,MANUAL VALVE(2.93T)

Pos No.	Parts No	Parts Name	Qty	Unit	Technical Data	Serial No (St
1	31613570500	COVER	1			
2	80189305008	SCREW,MACHINE	1		M5X8	
3	(*****)	OPE.ASSY,OUTRIGGER	1			
4	80602110300	RING,RITAINING	2		R30	
5	37000146990	PIN	2			
6	31613614001	CASE,OUTER	1			
7	31613613000	CASE,INNER	1			
8	(*****)	CYLINDER,JACK (MIN.719)	1			
9	80602110350	RING,RITAINING	2		R35	
10	31610810600	FLOAT	1			
11	37000150760	PIN	1			
13	31620582020	BEARING,BALL (KOYO)	1			
14	37000150360	PIN	1			
15	80601110150	RING,RITAINING	2		15	
16	31201770100	PLATE,SLIDE	2		T=3.0	
17	31612502100	PLATE	1			
18	90186206010	BOLT,FLANGE	2		M6X10	
19	31611640150	SPRING	1			
20	90180208016	BOLT,BUTTON	2		M8X16	
21	90302040801	WASHER,SPRING	2		8	
22	37000310360	SPACER	1		L=15	
41	31613604400	SUPPORT	1			
44	31613612800	SUPPORT (STEEL CAST)	1			
	31613612500	SUPPORT (WELDED)	1			
46	31613572600	SUPPORT	1			
61	31611300500	PLATE,NAME (WHITE)	2			
62	31611300600	PLATE,NAME (YELLOW)	4			
100	31613610201	OUTRIGGER (RIGHT)	1			

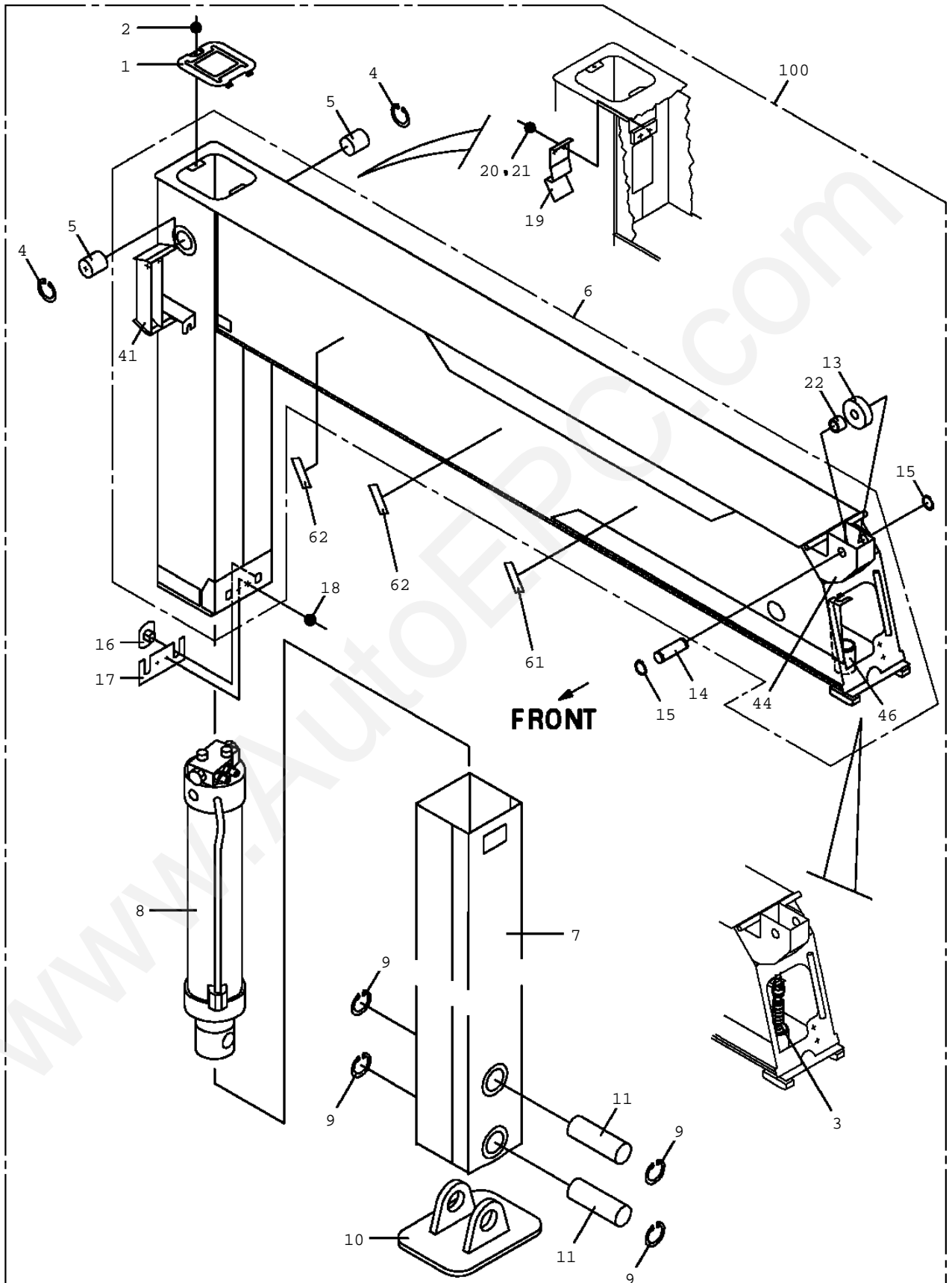
TM-ZE360 41002404034A FRAME/STANDARD, MANUAL VALVE (2.93T)
PC1011521-00 OUTRIGGER (LEFT)



TM-ZE360 41002404034A FRAME/STANDARD,MANUAL VALVE(2.93T)

Pos No.	Parts No	Parts Name	Qty	Unit	Technical Data	Serial No (St
1	31613570500	COVER	1			
2	80189305008	SCREW,MACHINE	1		M5X8	
3	(*****)	OPE.ASSY,OUTRIGGER	1			
4	80602110300	RING,RITAINING	2		R30	
5	37000146990	PIN	2			
6	31613842001	CASE, OUTER	1			
7	31613843000	CASE, INNER	1			
8	(*****)	CYLINDER,JACK (MIN.719)	1			
9	80602110350	RING,RITAINING	4		R35	
10	31610810600	FLOAT	1			
11	37000150760	PIN	2			
13	31620582020	BEARING,BALL (KOYO)	1			
14	37000150360	PIN	1			
15	80601110150	RING,RITAINING	2		15	
16	31201770100	PLATE,SLIDE	2		T=3.0	
17	31612502100	PLATE	1			
18	90186206010	BOLT,FLANGE	2		M6X10	
19	31611640150	SPRING	1			
20	90180208016	BOLT,BUTTON	2		M8X16	
21	90302040801	WASHER,SPRING	2		8	
22	37000310360	SPACER	1		L=15	
41	31613572400	SUPPORT	1			
44	31613612500	SUPPORT (WELDED)	1			
	31613612800	SUPPORT (STEEL CAST)	1			
46	31613572600	SUPPORT	1			
61	31611300500	PLATE,NAME (WHITE)	2			
62	31611300600	PLATE,NAME (YELLOW)	4			
100	31613840101	OUTRIGGER (LEFT)	1			

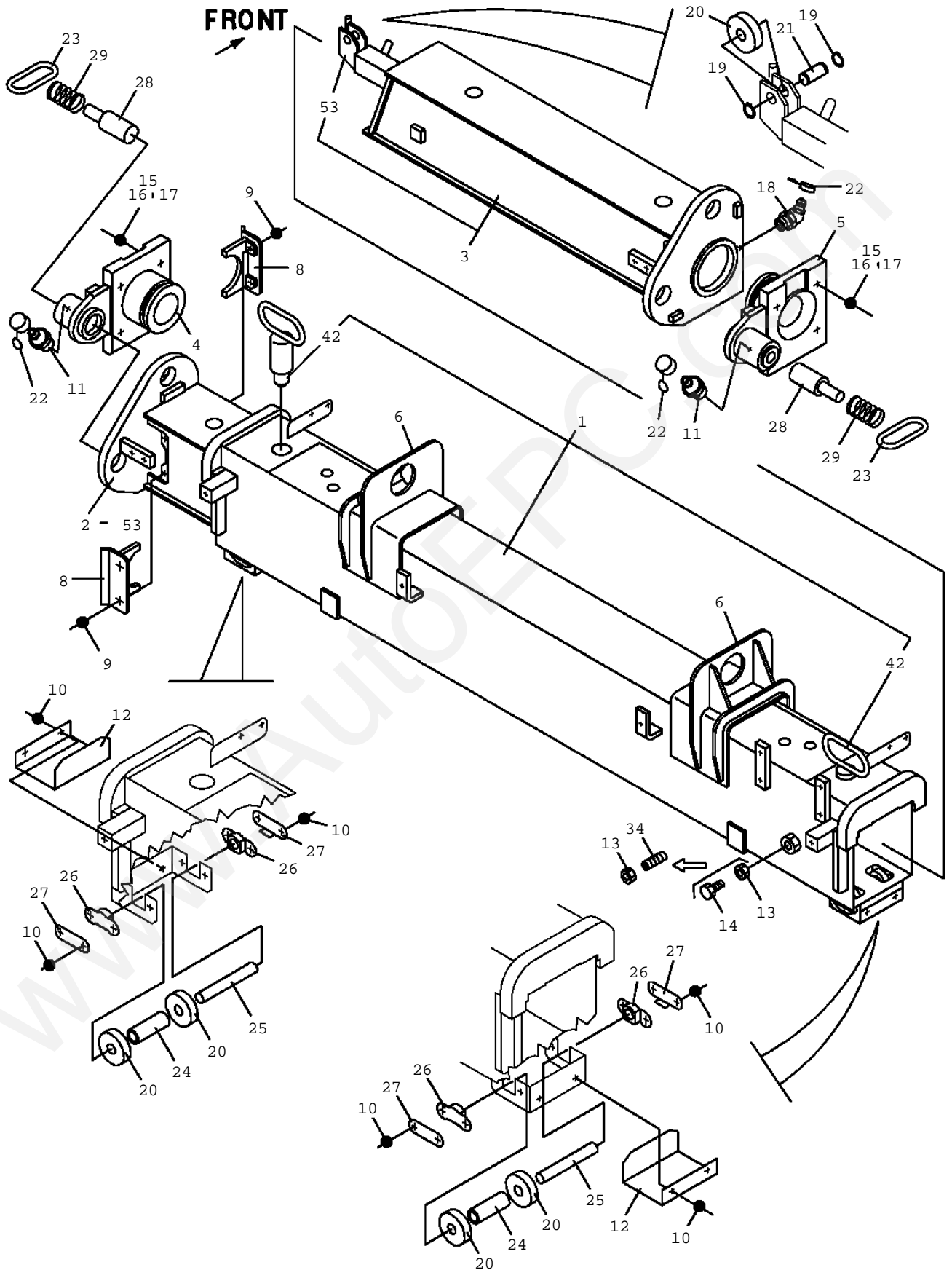
TM-ZE360 41002404034A FRAME/STANDARD, MANUAL VALVE (2.93T)
PC1011522-00 OUTRIGGER (RIGHT)



TM-ZE360 41002404034A FRAME/STANDARD,MANUAL VALVE(2.93T)

Pos No.	Parts No	Parts Name	Qty	Unit	Technical Data	Serial No (St
1	31613570500	COVER	1			
2	80189305008	SCREW,MACHINE	1		M5X8	
3	(*****)	OPE.ASSY,OUTRIGGER	1			
4	80602110300	RING,RITAINING	2		R30	
5	37000146990	PIN	2			
6	31613844001	CASE, OUTER	1			
7	31613843000	CASE, INNER	1			
8	(*****)	CYLINDER,JACK (MIN.719)	1			
9	80602110350	RING,RITAINING	4		R35	
10	31610810600	FLOAT	1			
11	37000150760	PIN	2			
13	31620582020	BEARING,BALL (KOYO)	1			
14	37000150360	PIN	1			
15	80601110150	RING,RITAINING	2		15	
16	31201770100	PLATE,SLIDE	2		T=3.0	
17	31612502100	PLATE	1			
18	90186206010	BOLT,FLANGE	2		M6X10	
19	31611640150	SPRING	1			
20	90180208016	BOLT,BUTTON	2		M8X16	
21	90302040801	WASHER,SPRING	2		8	
22	37000310360	SPACER	1		L=15	
41	31613604400	SUPPORT	1			
44	31613612800	SUPPORT (STEEL CAST)	1			
	31613612500	SUPPORT (WELDED)	1			
46	31613572600	SUPPORT	1			
61	31611300500	PLATE,NAME (WHITE)	2			
62	31611300600	PLATE,NAME (YELLOW)	4			
100	31613840201	OUTRIGGER (RIGHT)	1			

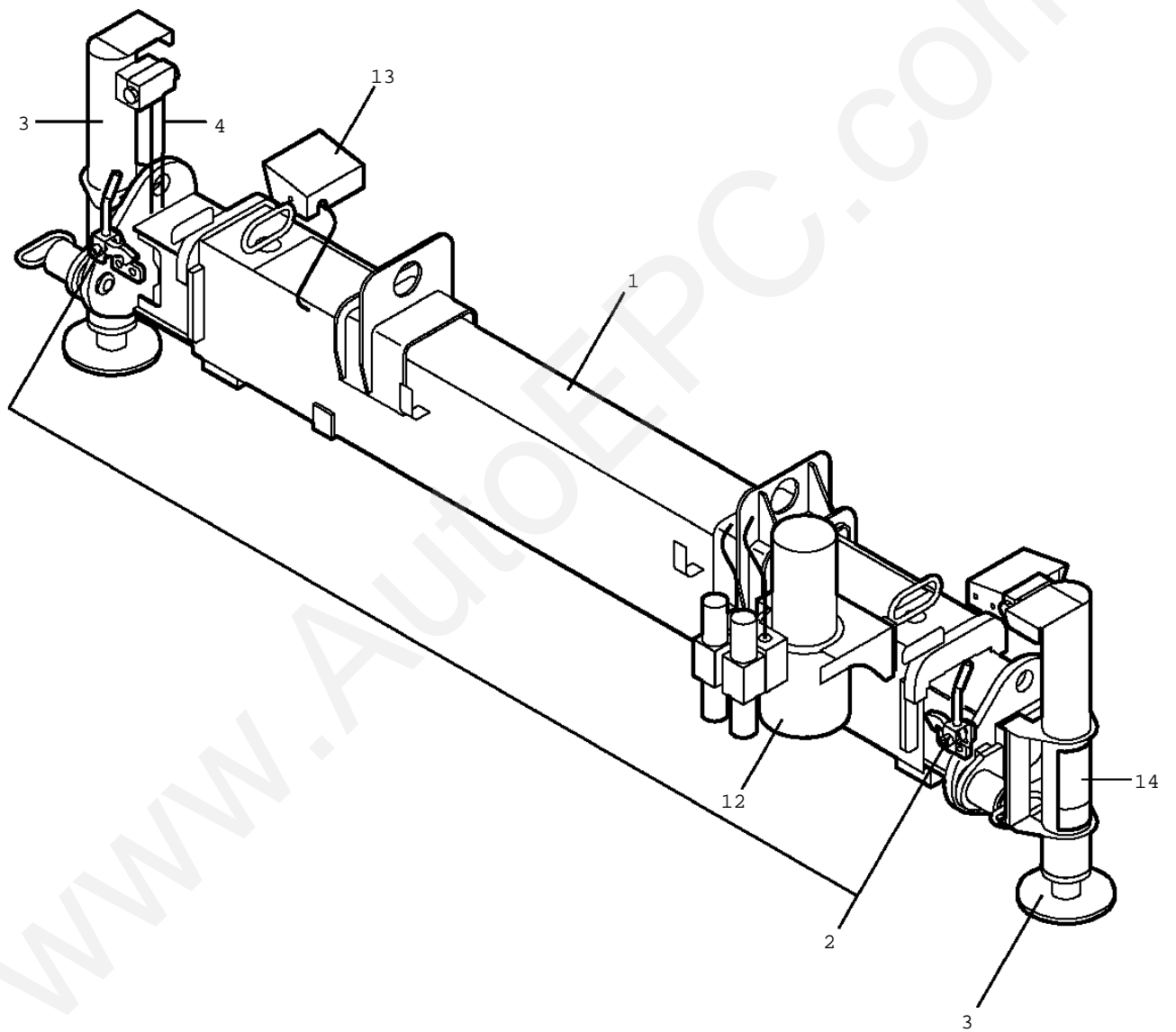
TM-ZE360 41002404034A FRAME/STANDARD, MANUAL VALVE (2.93T)
PC1020095-01 OUTRIGGER, REAR (FRAME)



TM-ZE360 41002404034A FRAME/STANDARD, MANUAL VALVE(2.93T)

Pos No.	Parts No	Parts Name	Qty	Unit	Technical Data	Serial No (Start)
1	31624981000	CASE, OUTER	1			
2	31624982000	CASE, INNER	1			
3	31624983000	CASE, INNER	1			
4	31622004000	SUPPORT (LEFT)	1			
5	31622005000	SUPPORT (RIGHT)	1			
6	31621510100	SUPPORT	2			
8	31622000100	SUPPORT	4			
9	90186208014	BOLT, FLANGE	8		M8X14	
10	90186208010	BOLT, FLANGE	12		M8X10	
11	82456101000	NIPPLE, GREASE	2		A-PT1/8	
12	31622000200	COVER	2			
13	90203201600	NUT	2		M16	
15	90142714025	BOLT, STUD	8			
16	90302041401	WASHER, SPRING	8		14	
17	90201481400	NUT	8		M14	
18	82458102000	NIPPLE, GREASE	2		B-PT1/8	
19	80601110150	RING, RITAINING	4		15	
20	31620582020	BEARING, BALL (KOYO)	6			
21	37000134180	PIN	2			
22	82400000459	CAP	4			
23	37003100030	GRIP	2			
24	37000309980	SPACER	2		L=60	
25	37000161010	PIN	2			
26	31621962100	SUPPORT	4			
27	31621962200	PLATE	12		T=0.5	
28	31621340200	PIN	2			
29	37001200720	SPRING	2			
34	90720716450	SCREW, SET	2		M16X45	
42	31620580100	PIN ASSY	2			
53	31623679510	SUPPORT ASSY	2			

TM-ZE360 41002404034A FRAME/STANDARD,MANUAL VALVE(2.93T)
PC1020103-00 OUTRIGGER,REAR (ROTARY/POWER PACKAGE)

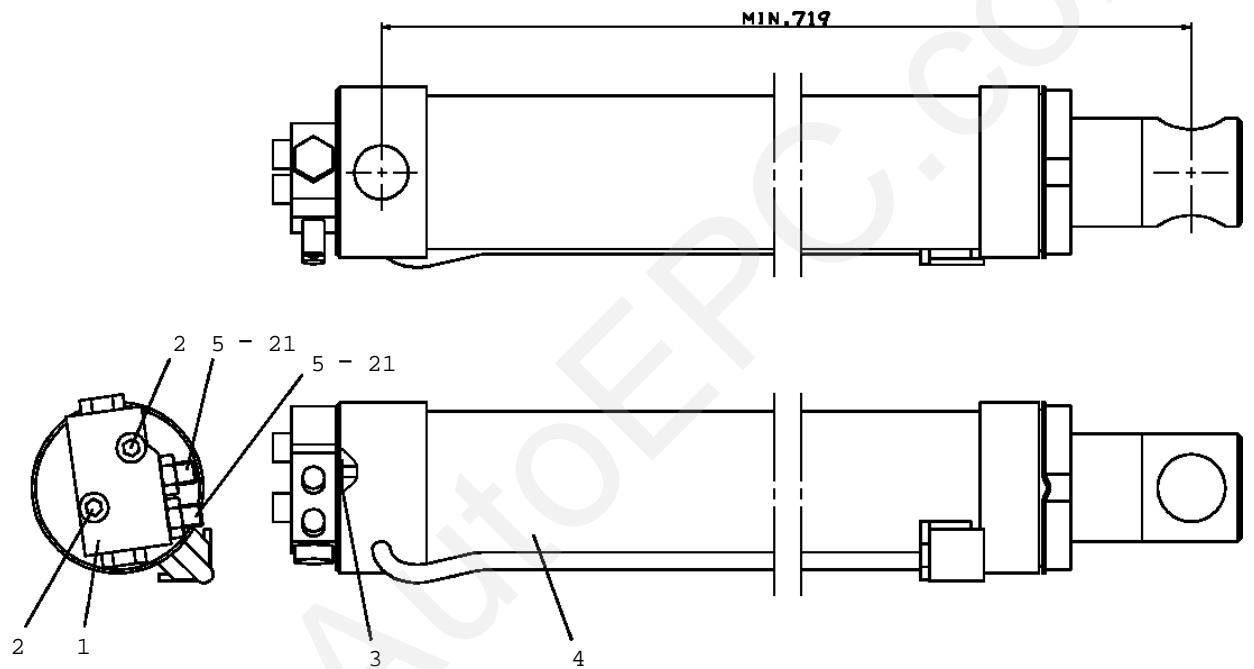


TM-ZE360 41002404034A FRAME/STANDARD,MANUAL VALVE(2.93T)

Pos No.	Parts No	Parts Name	Qty	Unit	Technical Data	Serial
1	(*****)	OUTRIGGER,REAR (FRAME)	1			
2	(*****)	LOCK ASSY	1			
3	(*****)	CYLINDER,JACK (REAR OUTRIGGER)	2			
4	(*****)	PIPING,REAR JACK (2,ROTARY)	1			
12	(*****)	PIPING,REAR JACK (1)	1			
13	(*****)	ELEC.ASSY	1			
14	(*****)	PLATE ASSY,NAME	1			

www.AutoEPC.com

TM-ZE360 41002404034A FRAME/STANDARD, MANUAL VALVE (2.93T)
PC1030297-03 CYLINDER, JACK (MIN.719)

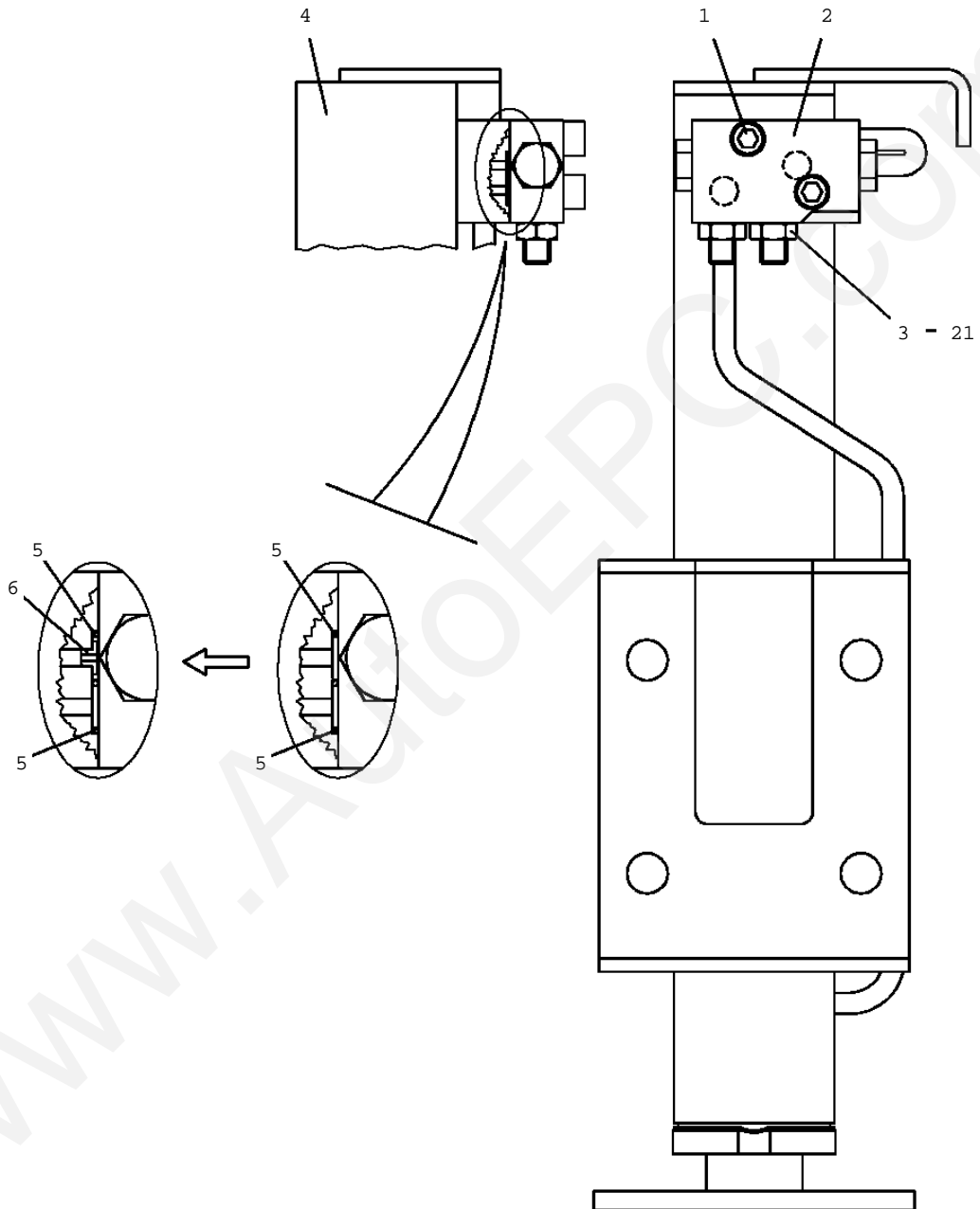


TM-ZE360 41002404034A FRAME/STANDARD,MANUAL VALVE(2.93T)

Pos No.	Parts No	Parts Name	Qty	Unit	Technica
1	36623930000	VALVE,PILOT CHECK	1		
2	90172110040	BOLT,HEXAGON SOCKET	2		M10X40
3	91002801000	O-RING	2		1B P10
4	36036990000	CYLINDER ASSY,JACK (MIN.719,FRICITION-WELDED)	1		
	36034670000	CYLINDER ASSY,JACK (MIN.719,WELDED STRUCTURAL)	1		
5	80491002020	JOINT (WITH O-RING)	2		
21	91002801100	O-RING	2		1B P11

www.AutoEPC.com

TM-ZE360 41002404034A FRAME/STANDARD, MANUAL VALVE (2.93T)
PC1030301-02 CYLINDER, JACK (REAR OUTRIGGER)

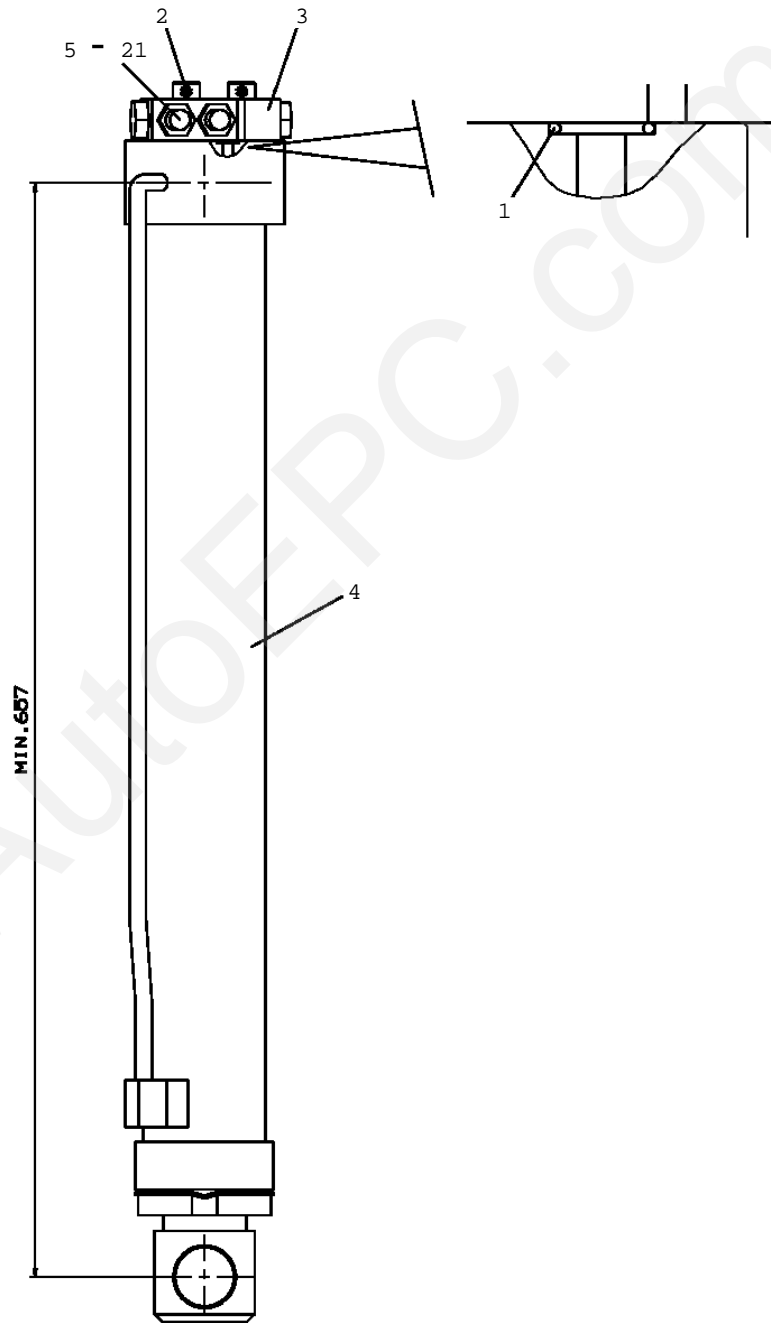


TM-ZE360 41002404034A FRAME/STANDARD, MANUAL VALVE(2.93T)

Pos No.	Parts No	Parts Name	Qty	Unit	Technical Data	Serial No (Start)
1	90172110035	BOLT, HEXAGON SOCKET	2		M10X35	
2	36623930000	VALVE, PILOT CHECK	1			
3	80491002020	JOINT (WITH O-RING)	2			
4	36034730001	CYLINDER ASSY, JACK	1			
5	91002801000	O-RING	2		1B P10	
6	42610020510	CHOKE	1			
21	91002801100	O-RING	2		1B P11	

www.AutoEPC.com

TM-ZE360 41002404034A FRAME/STANDARD, MANUAL VALVE (2.93T)
PC1030441-01 CYLINDER, JACK (MIN.657)

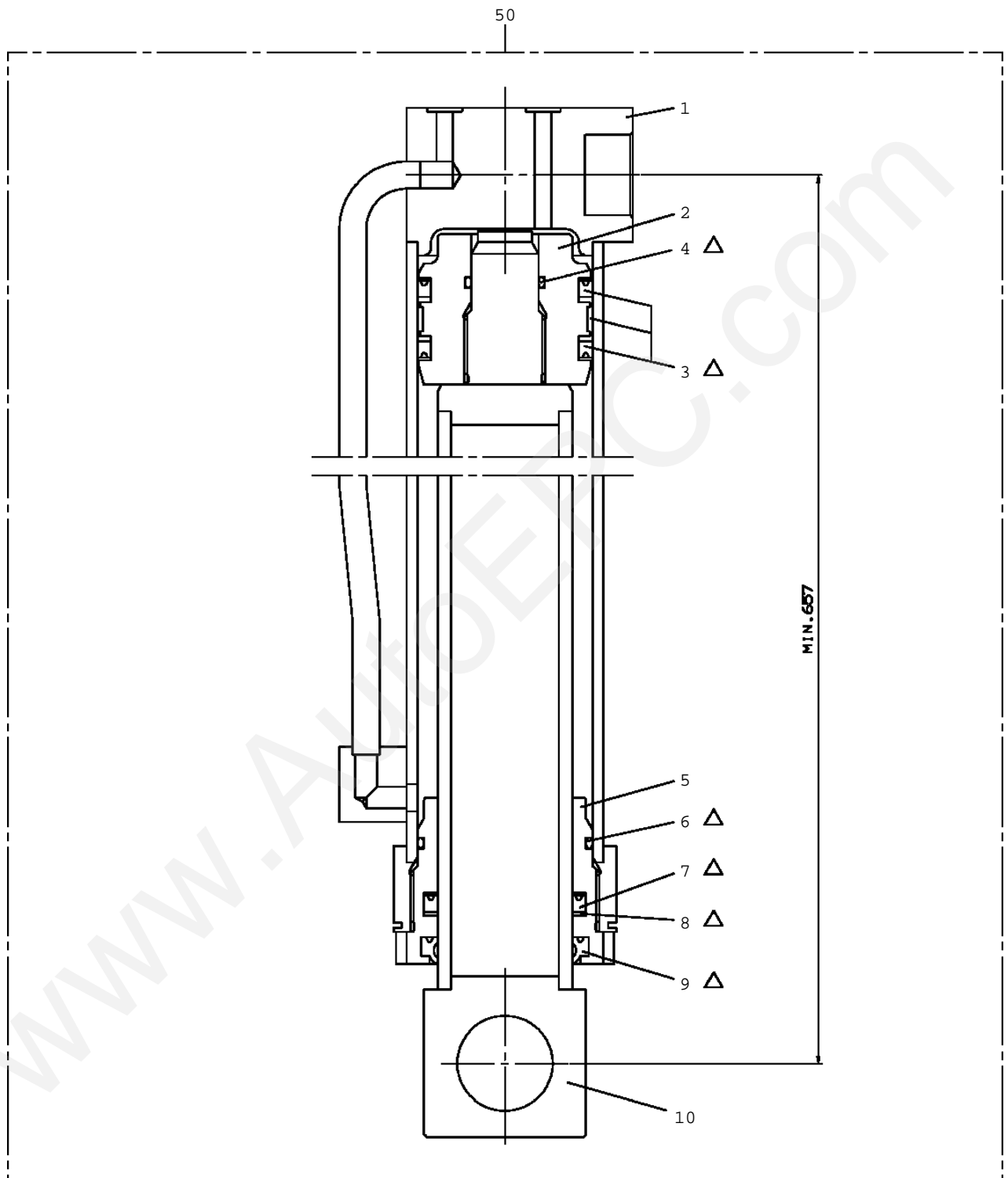


TM-ZE360 41002404034A FRAME/STANDARD,MANUAL VALVE(2.93T)

Pos No.	Parts No	Parts Name	Qty	Unit	Technical
1	91002801000	O-RING	2		1B P10
2	90172110040	BOLT,HEXAGON SOCKET	2		M10X40
3	36623930000	VALVE,PILOT CHECK	1		
4	36036130000	CYLINDER ASSY,JACK (MIN.657/WELDED STRUCTURE)	1		
	36036970000	CYLINDER ASSY,JACK (MIN.657/FRICTION-WELDED)	1		
5	80491002020	JOINT (WITH O-RING)	2		
21	91002801100	O-RING	2		1B P11

www.AutoEPC.com

TM-ZE360 41002404034A FRAME/STANDARD, MANUAL VALVE (2.93T)
PC1030442-02 CYLINDER ASSY, JACK (MIN.657/WELDED STRUCTURE)



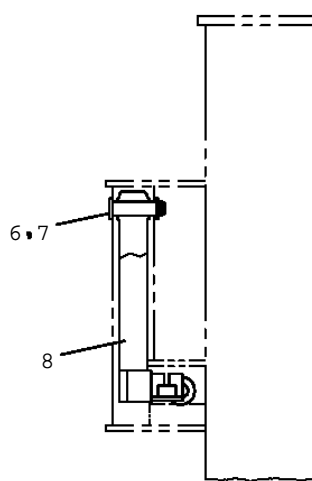
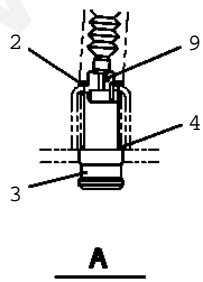
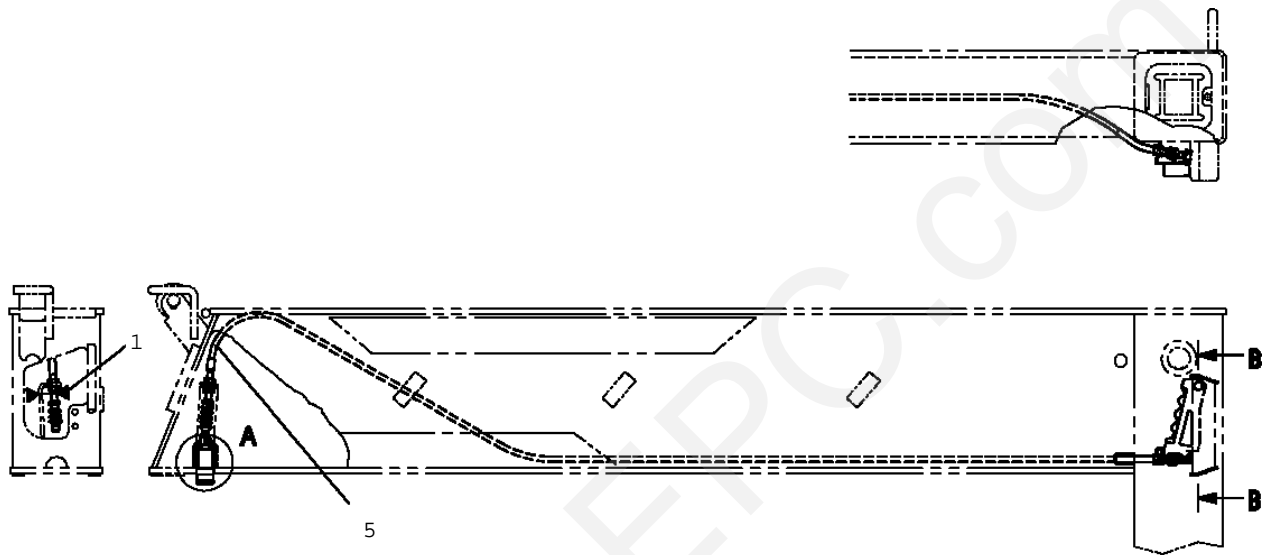
△:PACKING SET KEY NO.30 (KEY NO.3,4,6,7,8,9)

TM-ZE360 41002404034A FRAME/STANDARD,MANUAL VALVE(2.93T)

Pos No.	Parts No	Parts Name	Qty	Unit	Technical
1	36033610100	CYLINDER	1		
2	36032980200	PISTON	1		
3	91350206500	BEARING,PLAIN (WITH PACKINGX2)	1		
4	91002902500	O-RING	1		1B G25
5	36032040400	COVER,ROD	1		
6	91002906000	O-RING	1		1B G60
7	91694005000	PACKING	1		
8	91410205001	RING,BACKUP	1		
9	91660005001	SEAL,DUST	1		
10	36036130100	ROD	1		
30	36032889910	PACKING SET	1		50X65
50	36036130000	CYLINDER ASSY,JACK (MIN.657/WELDED STRUCTURE)	1		

www.AutoEPC.com

TM-ZE360 41002404034A FRAME/STANDARD, MANUAL VALVE (2.93T)
PC1100197-03 OPE.ASSY, OUTRIGGER



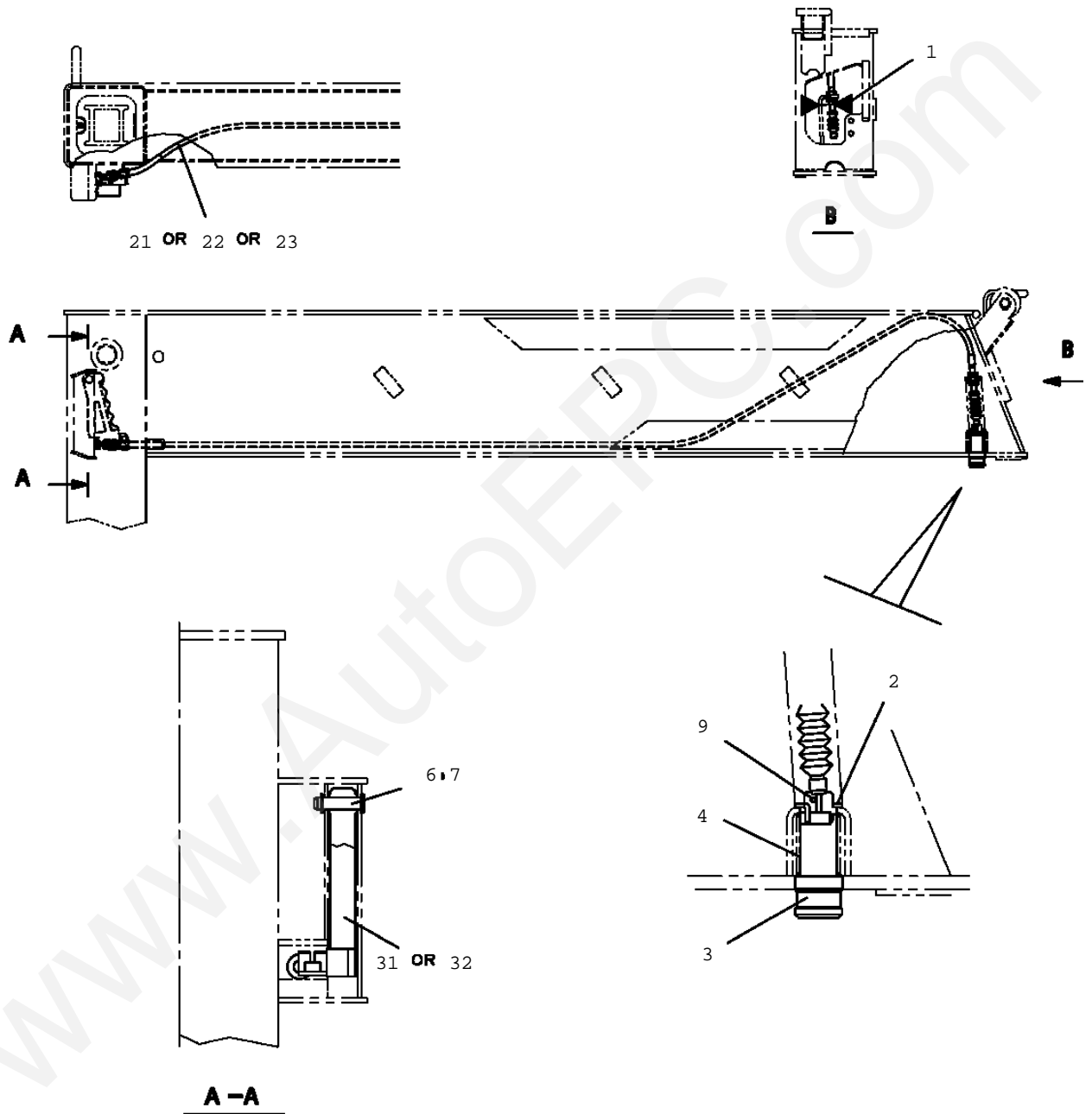
B - B

TM-ZE360 41002404034A FRAME/STANDARD, MANUAL VALVE(2.93T)

Pos No.	Parts No	Parts Name	Qty	Unit	Technical Data	Serial No (
1	91810130250	FASTENER	1			
2	31330920700	PLATE	1			
3	31330920800	PIN	1			
4	37001201380	SPRING	1			
5	37001707510	CABLE,CONTROL (NIPPON FLEX)	1			
6	37000161150	PIN	1			
7	80613310060	RING,RITAINING	1		6	
8	31330921100	GRIP	1			
9	80136332020	PIN,SPLIT	1		3.2X20	

www.AutoEPC.com

TM-ZE360 41002404034A FRAME/STANDARD, MANUAL VALVE (2.93T)
PC1100207-01 OPE.ASSY, OUTRIGGER

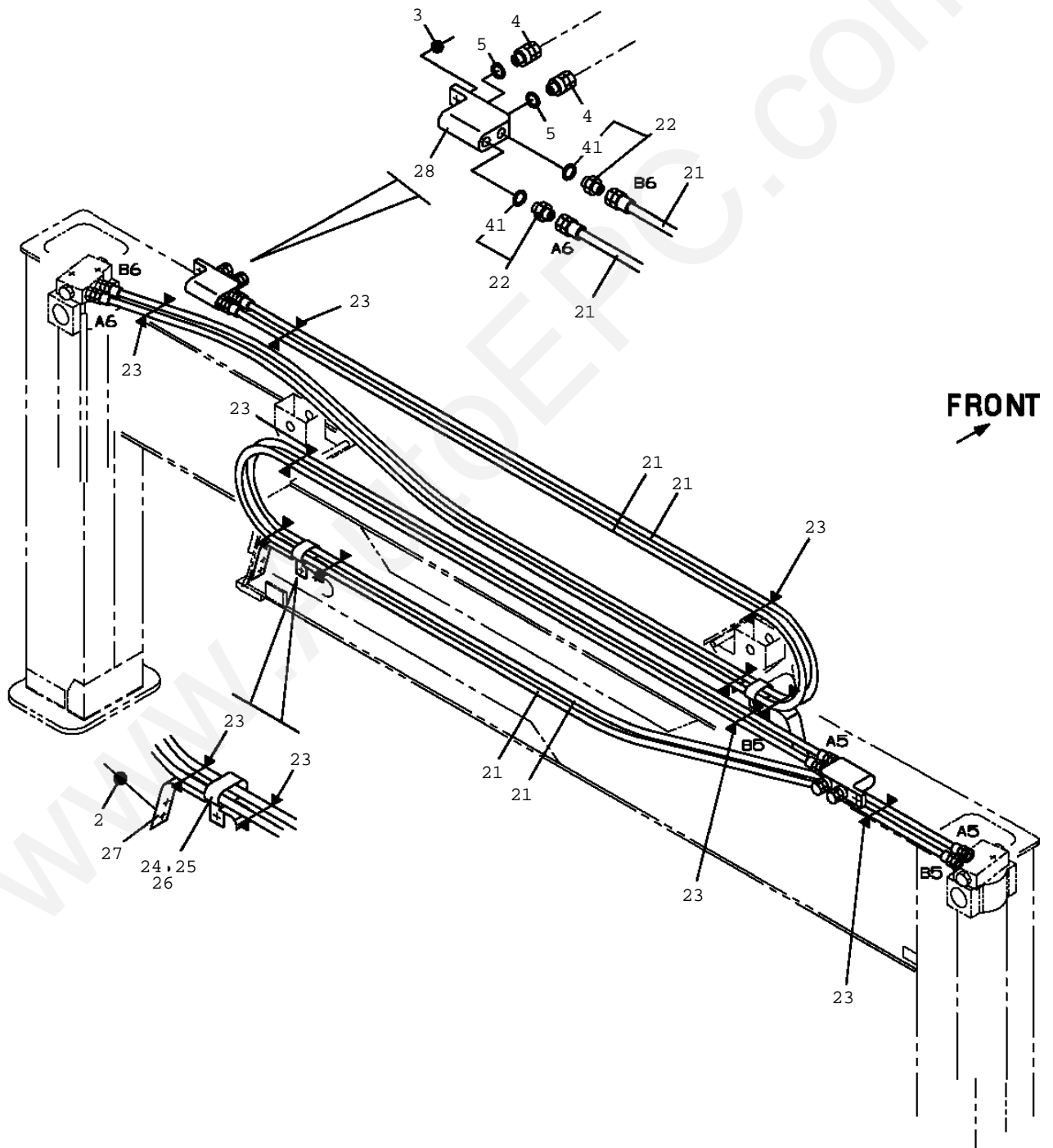


TM-ZE360 41002404034A FRAME/STANDARD, MANUAL VALVE(2.93T)

Pos No.	Parts No	Parts Name	Qty	Unit	Technical Data	Serial No
1	91810130250	FASTENER	1			
2	31330920700	PLATE	1			
3	31330920800	PIN	1			
4	37001201380	SPRING	1			
6	37000161150	PIN	1			
7	80613310060	RING, RITAINING	1		6	
9	80136332020	PIN, SPLIT	1		3.2X20	
21	37001707510	CABLE, CONTROL (NIPPON FLEX)	1			
22	37001707630	CABLE, CONTROL (U-SHIN)	1			
23	37001707690	CABLE, CONTROL (MICHANG CABLE)	1			
31	31331300100	GRIP	1			
32	31331300200	GRIP (ASAHI RUBBER)	1			

www.AutoEPC.com

TM-ZE360 41002404034A FRAME/STANDARD, MANUAL VALVE (2.93T)
PC1200600-00 PIPING, OUTRIGGER

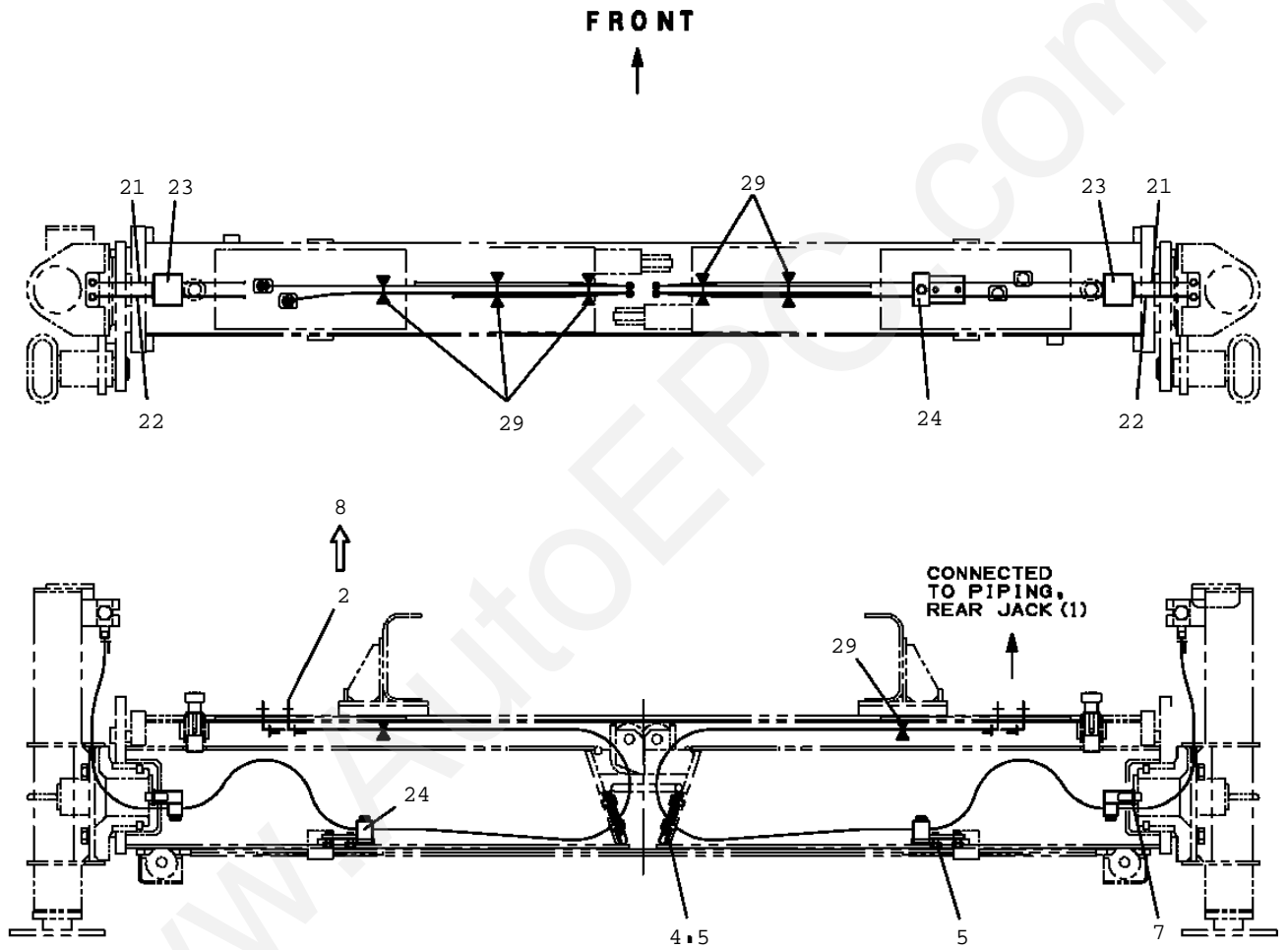


TM-ZE360 41002404034A FRAME/STANDARD, MANUAL VALVE(2.93T)

Pos No.	Parts No	Parts Name	Qty	Unit	Technical Data	Serial No (Start)
2	90186208014	BOLT, FLANGE	4		M8X14	
3	90186210014	BOLT, FLANGE	2		M10X14	
4	37000924350	FITTING	4			
5	91002801100	O-RING	4		1B P11	
21	37002450050	HOSE	4		L=2800	
22	80491002020	JOINT (WITH O-RING)	4			
23	91810130240	FASTENER	10			
24	31642591240	CLAMP	2		12X2	
25	90186208014	BOLT, FLANGE	2		M8X14	
26	90280200800	NUT, FLANGE	2		M8	
27	31648671200	SUPPORT	2			
28	31644591450	JOINT	2			
41	91002801100	O-RING	4		1B P11	

www.AutoEPC.com

TM-ZE360 41002404034A FRAME/STANDARD, MANUAL VALVE (2.93T)
PC1230021-03 PIPING, REAR JACK (2, ROTARY)

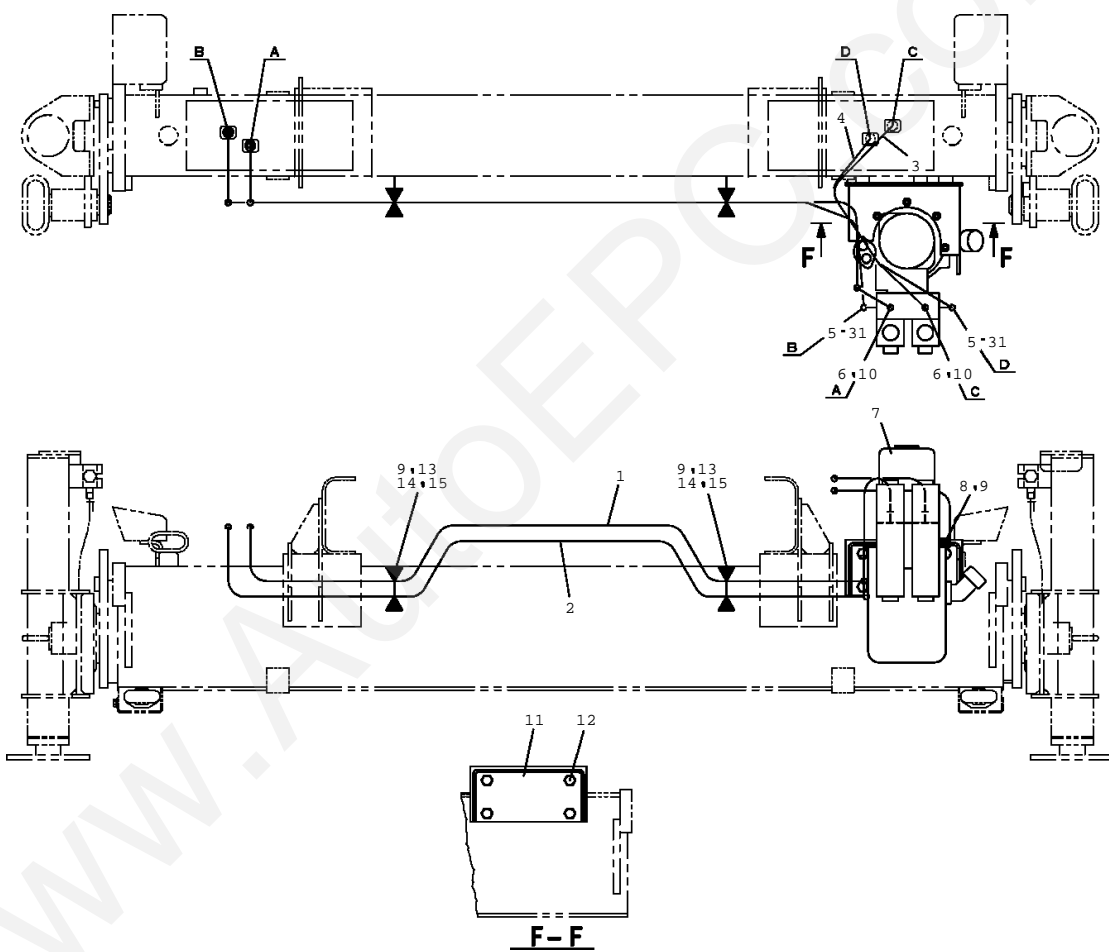


TM-ZE360 41002404034A FRAME/STANDARD, MANUAL VALVE(2.93T)

Pos No.	Parts No	Parts Name	Qty	Unit	Technical Data	Serial No (Start)	Serial :
4	31642730100	SUPPORT	2				
5	90186208014	BOLT, FLANGE	12		M8X14		
7	90303071201	WASHER, PLAIN	2		12		
8	37000924770	JOINT	4				
21	37002417360	HOSE	2		L=1800		
22	37002450860	HOSE	2		L=1760		
23	31642730300	CLAMP ASSY	2				
24	31642730200	CLAMP ASSY	2				
29	91810130240	FASTENER	6				

www.AutoEPC.com

TM-ZE360 41002404034A FRAME/STANDARD, MANUAL VALVE(2.93T)
PC1230061-00 PIPING, REAR JACK (1)

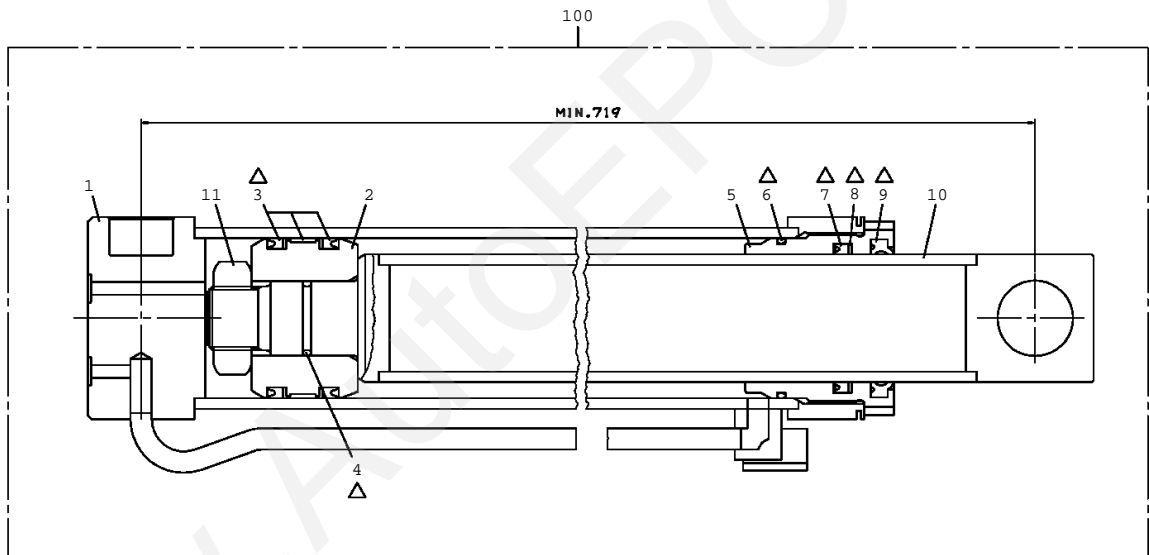


TM-ZE360 41002404034A FRAME/STANDARD, MANUAL VALVE(2.93T)

Pos No.	Parts No	Parts Name	Qty	Unit	Technical Data	Serial No (Start)
1	31648860010	PIPE	1			
2	31648860020	PIPE	1			
3	31648860030	PIPE	1			
4	31648860040	PIPE	1			
5	80303130101	FITTING, ELBOW	2		KLO10-020E	
6	80302090101	FITTING	2		KCO10-020N	
7	31611613101	POWER SUPPLY	1			
8	90172108018	BOLT, HEXAGON SOCKET	4		M8X18	
9	90302040801	WASHER, SPRING	6		8	
10	91002801100	O-RING	2		1B P11	
11	31645360100	SUPPORT	1			
12	90186210014	BOLT, FLANGE	4		M10X14	
13	37005700130	CLAMP	2		10X2	
14	90101208035	BOLT	2		M8X35	
15	90303070801	WASHER, PLAIN	2		8	
31	91002801100	O-RING	2		1B P11	

www.AutoEPC.com

TM-ZE360 41002404034A FRAME/STANDARD, MANUAL VALVE (2.93T)
PC6390034-02 CYLINDER ASSY, JACK (MIN.719, WELDED STRUCTURAL)



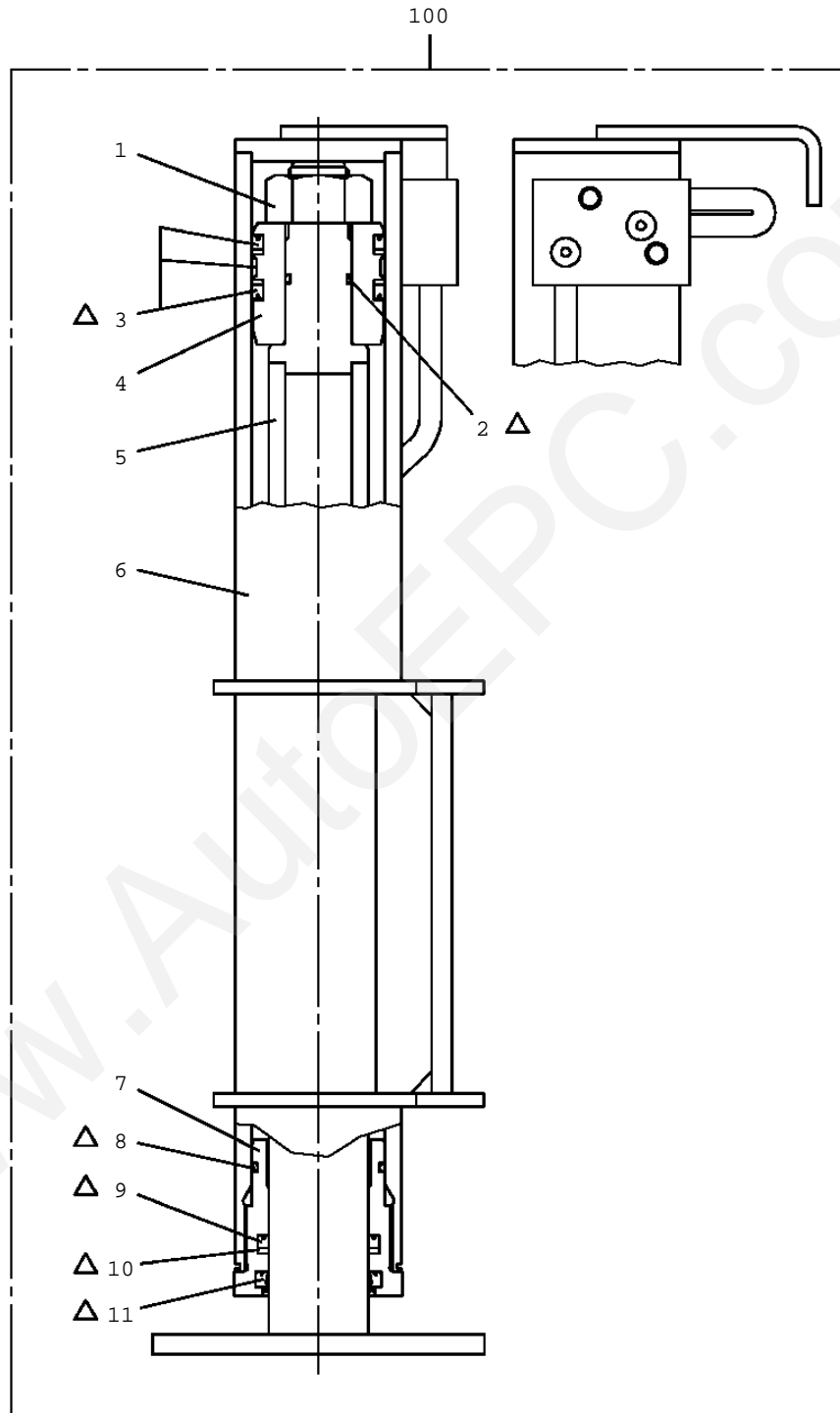
Δ:PACKING SET KEY NO.40 (KEY NO.3,4,6,7,8,9)

TM-ZE360 41002404034A FRAME/STANDARD,MANUAL VALVE(2.93T)

Pos No.	Parts No	Parts Name	Qty	Unit	Technica
1	36034670100	CYLINDER	1		
2	36032110300	PISTON	1		
3	91350207500	BEARING,PLAIN (WITH PACKINGX2)	1		
4	91002903000	O-RING	1		1B G30
5	36032020200	COVER,ROD	1		
6	91002907000	O-RING	1		1B G70
7	91694006000	PACKING	1		
8	91410206002	RING,BACKUP	1		
9	91660006001	SEAL,DUST	1		
10	36034670300	ROD	1		
11	90211203000	NUT	1		M30X3/2
40	36032419900	PACKING SET	1		60X75
100	36034670000	CYLINDER ASSY,JACK (MIN.719,WELDED STRUCTURAL)	1		

www.AutoEPC.com

TM-ZE360 41002404034A FRAME/STANDARD, MANUAL VALVE (2.93T)
PC6390047-01 CYLINDER ASSY, JACK



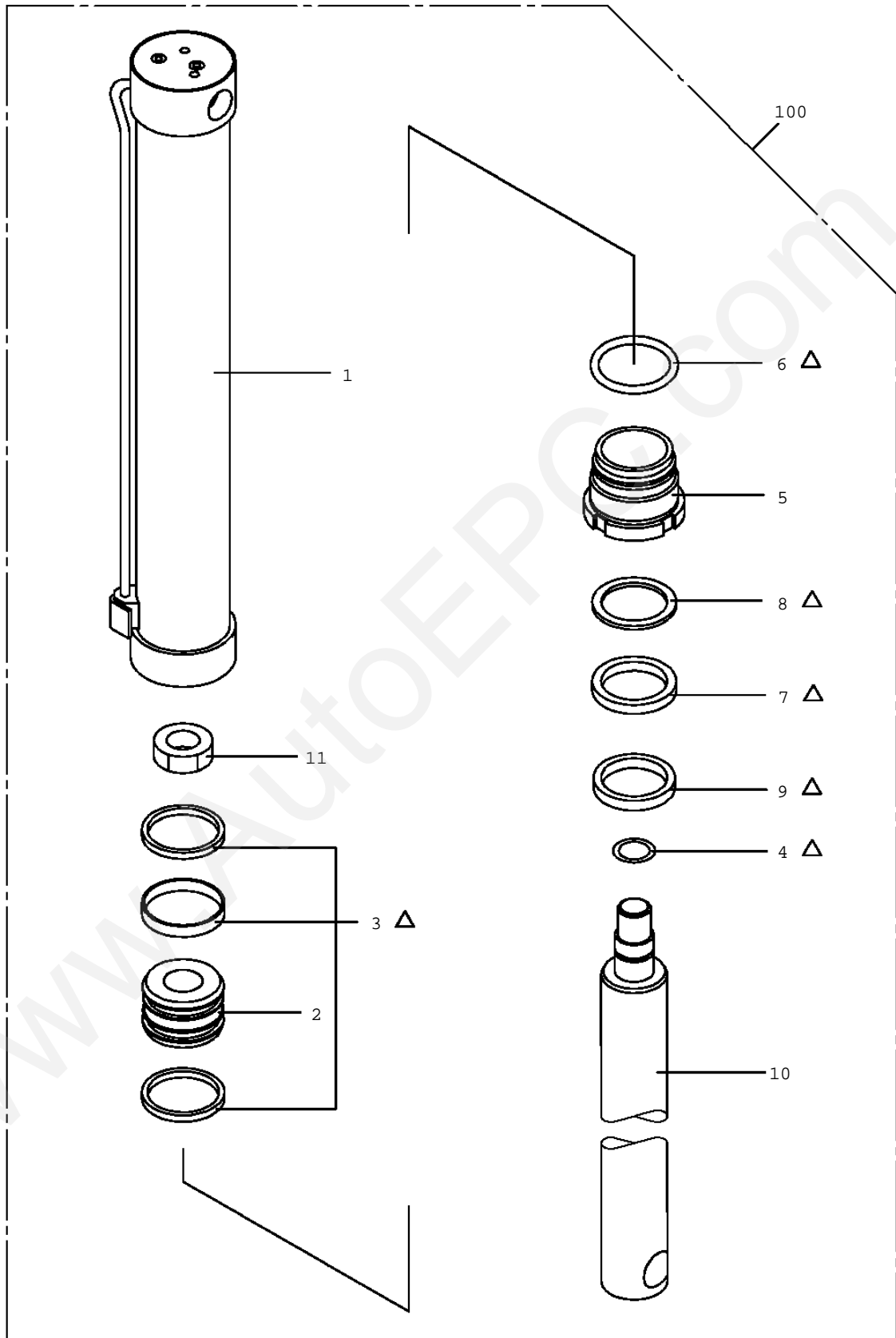
Δ:PACKING SET KEY NO.50 (KEY NO.2,3,8,9,10,11)

TM-ZE360 41002404034A FRAME/STANDARD,MANUAL VALVE(2.93T)

Pos No.	Parts No	Parts Name	Qty	Unit	Technical Data	Serial N
1	37001601420	NUT	1		M27X2	
2	91002902500	O-RING	1		1B G25	
3	91350206000	BEARING,PLAIN (WITH PACKINGX2)	1			
4	36013823000	PISTON	1			
5	36033162000	ROD	1			
6	36034731002	CYLINDER	1			
7	36013823200	COVER,ROD	1			
8	91002905500	O-RING	1		1B G55	
9	91694004500	PACKING	1			
10	91410204502	RING,BACKUP	1			
11	91660004501	SEAL,DUST	1			
50	36033169910	PACKING SET	1		45X60	
100	36034730001	CYLINDER ASSY,JACK	1			

www.AutoEPC.com

TM-ZE360 41002404034A FRAME/STANDARD, MANUAL VALVE (2.93T)
PC6390066-00 CYLINDER ASSY, JACK (MIN.719, FRICTION-WELDED)



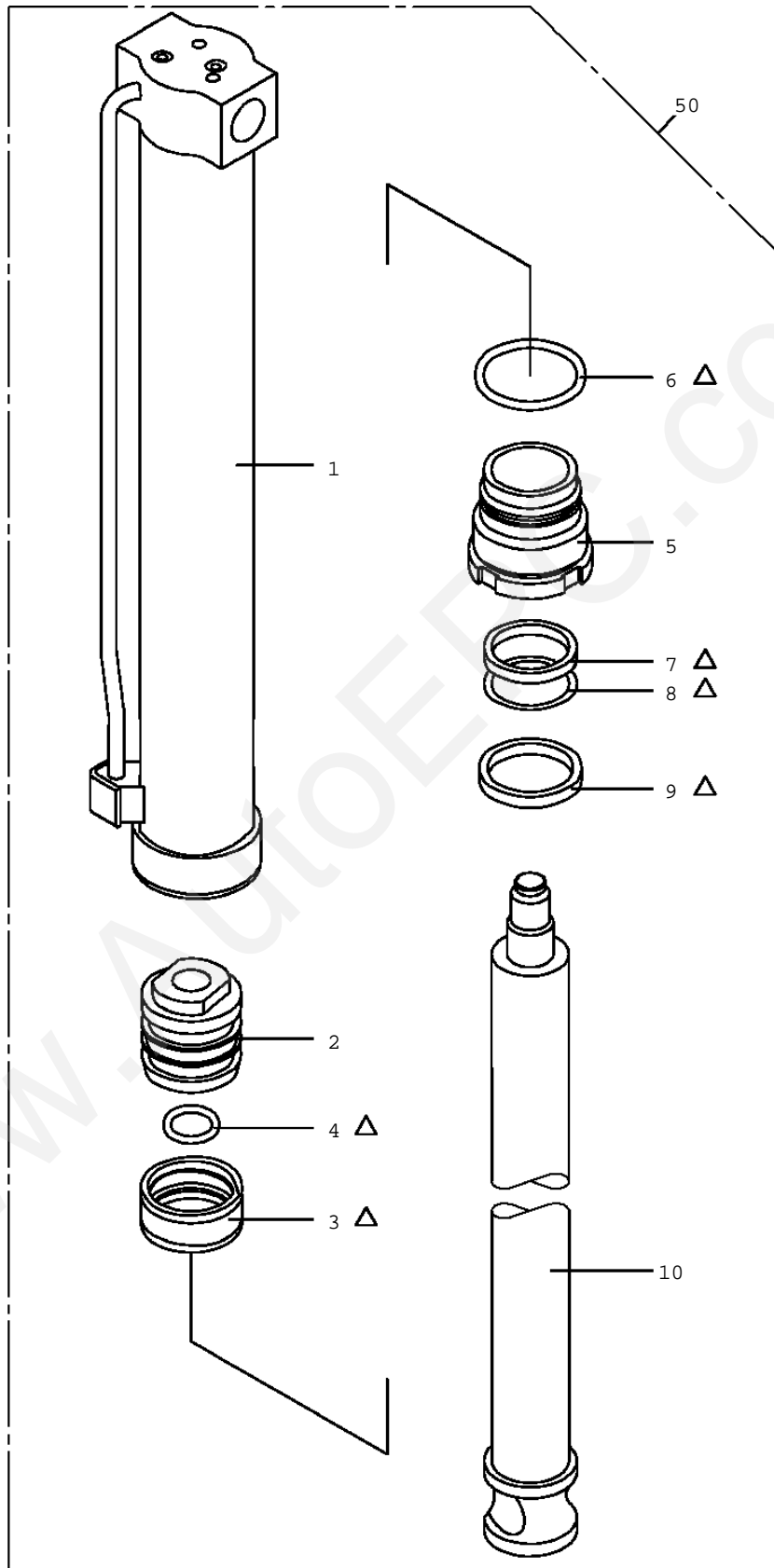
Δ:PACKING SET KEY NO.40 (KEY NO.3,4,6,7,8,9)

TM-ZE360 41002404034A FRAME/STANDARD,MANUAL VALVE(2.93T)

Pos No.	Parts No	Parts Name	Qty	Unit	Technical
1	36034670100	CYLINDER	1		
2	36032110300	PISTON	1		
3	91350207500	BEARING,PLAIN (WITH PACKINGX2)	1		
4	91002903000	O-RING	1		1B G30
5	36032020200	COVER,ROD	1		
6	91002907000	O-RING	1		1B G70
7	91694006000	PACKING	1		
8	91410206002	RING,BACKUP	1		
9	91660006001	SEAL,DUST	1		
10	36036990100	ROD	1		
11	90211203000	NUT	1		M30X3/2
40	36032419900	PACKING SET	1		60X75
100	36036990000	CYLINDER ASSY,JACK (MIN.719, FRICTION-WELDED)	1		

www.AutoEPC.com

TM-ZE360 41002404034A FRAME/STANDARD, MANUAL VALVE (2.93T)
PC6390069-00 CYLINDER ASSY, JACK (MIN.657/FRICTION-WELDED)



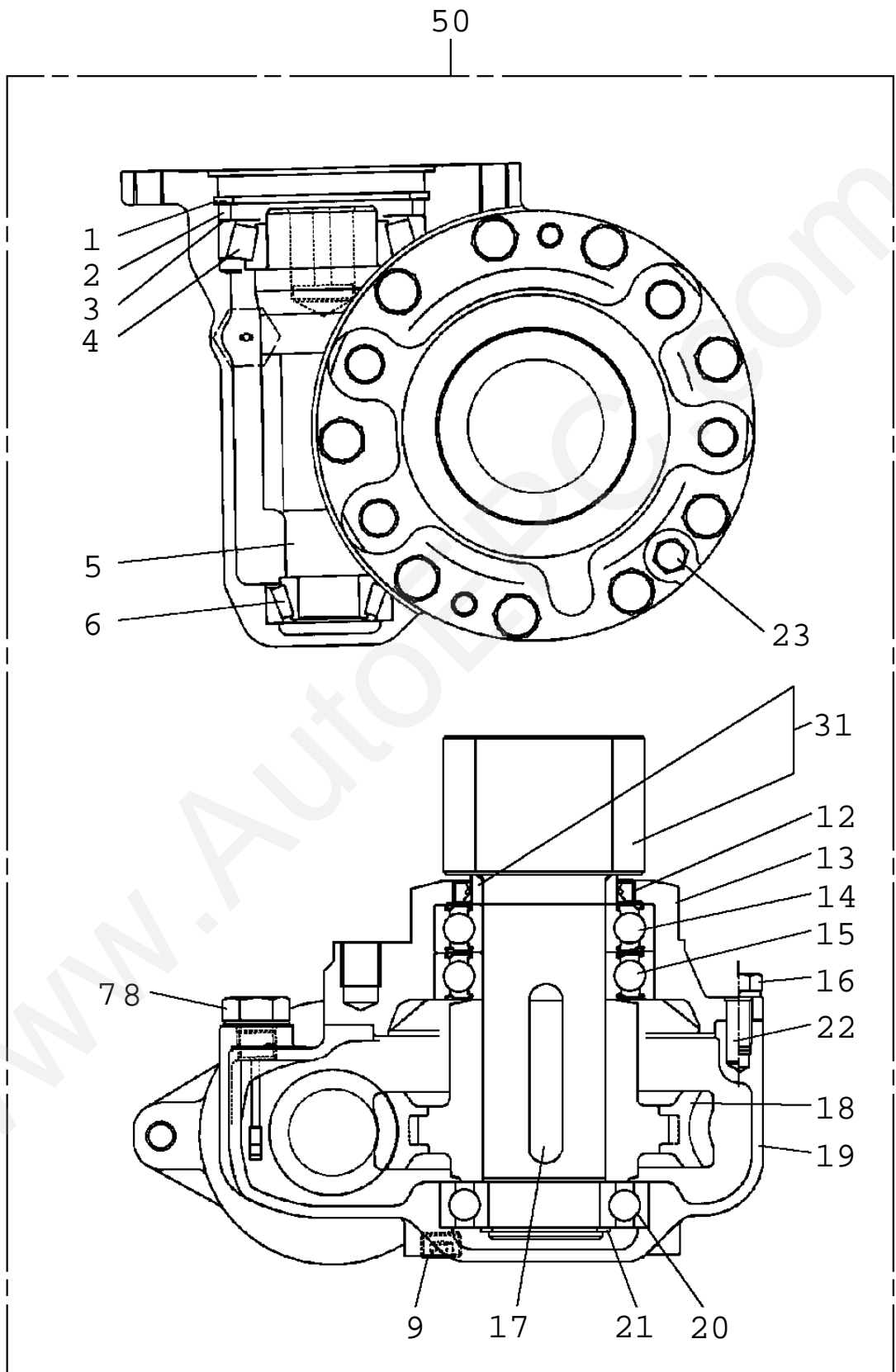
△:PACKING SET KEY NO. 30 (KEY NO.3,4,6,7,8,9)

TM-ZE360 41002404034A FRAME/STANDARD,MANUAL VALVE(2.93T)

Pos No.	Parts No	Parts Name	Qty	Unit	Technical
1	36033610100	CYLINDER	1		
2	36032980200	PISTON	1		
3	91350206500	BEARING,PLAIN (WITH PACKINGX2)	1		
4	91002902500	O-RING	1		1B G25
5	36032040400	COVER,ROD	1		
6	91002906000	O-RING	1		1B G60
7	91694005000	PACKING	1		
8	91410205001	RING,BACKUP	1		
9	91660005001	SEAL,DUST	1		
10	36036970100	ROD	1		
30	36032889910	PACKING SET	1		50X65
50	36036970000	CYLINDER ASSY,JACK (MIN.657/FRICTION-WELDED)	1		

www.AutoEPC.com

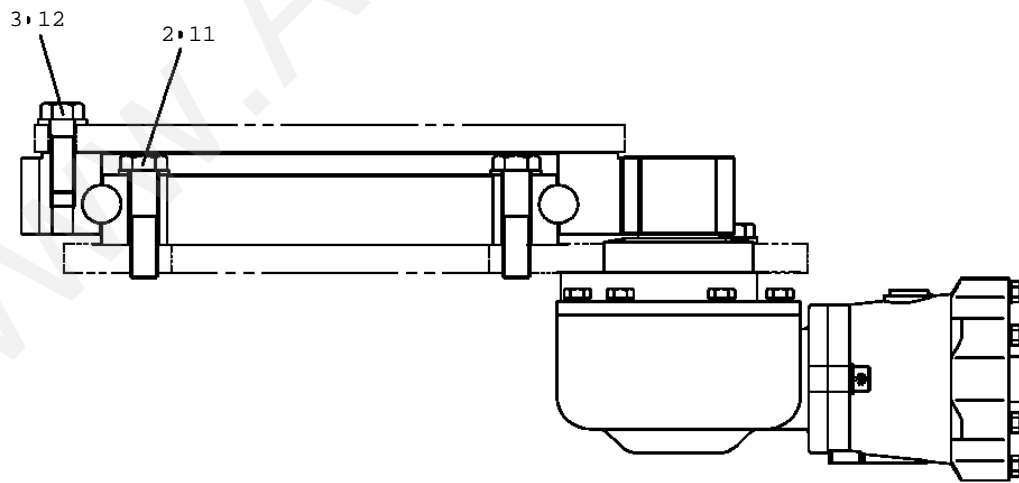
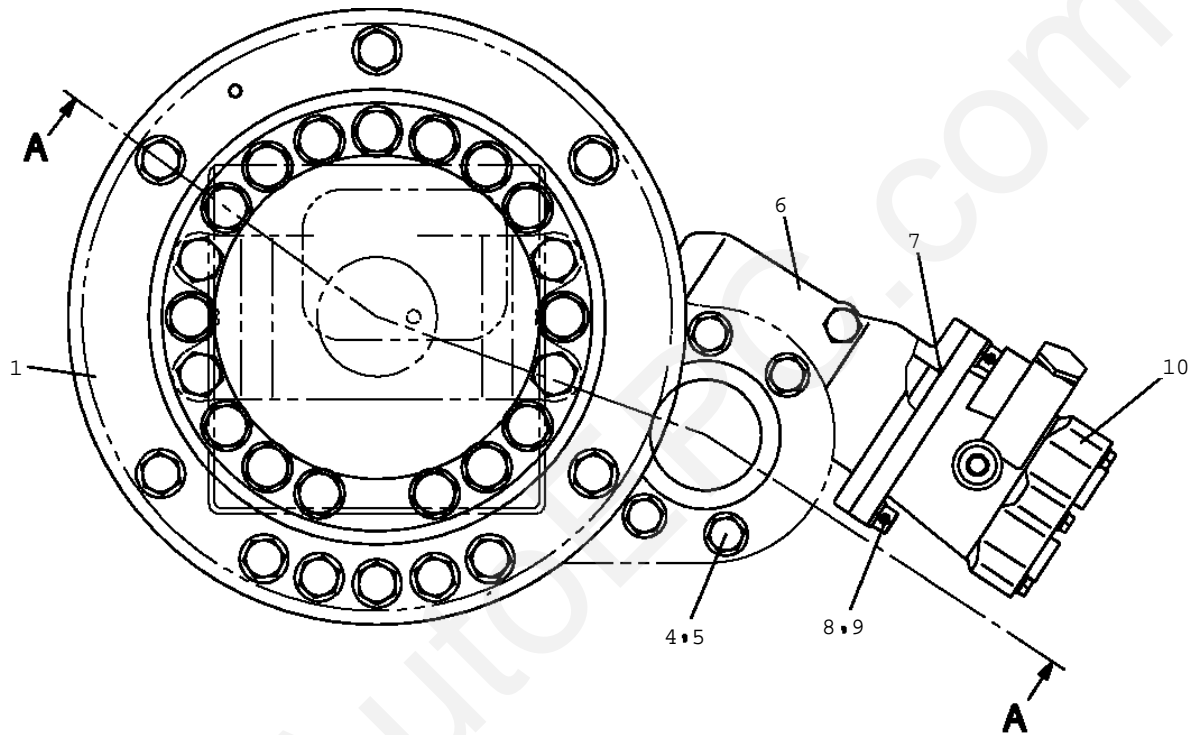
TM-ZE360 41002404034A FRAME/STANDARD, MANUAL VALVE(2.93T)
PD1010172-00 REDUCER, SWING SPEED



TM-ZE360 41002404034A FRAME/STANDARD,MANUAL VALVE(2.93T)

Pos No.	Parts No	Parts Name	Qty	Unit	Technical Data
1	36081325090	RING,SNAP	1		
2	36081325010	SPACER	1		
3	36081325080	SHIM SET	1		
4	36081325110	BEARING,TAPER ROLLER	1		
5	36081325020	WORM	1		
6	36081325120	BEARING,TAPER ROLLER	1		
7	36080755040	GAUGE,OIL	1		
8	36080235080	WASHER,SEAL	1		M16
9	80316090060	PLUG	1		KKT PT3/8
12	91280431931	SEAL,OIL	1		
13	36081325050	CASE,GEAR	1		
14	36081325130	BEARING,BALL(METAL SHIELD TYPE 6210ZZC3)	1		
15	36081325140	BEARING,BALL (RUBBER SEAL TYPE 6210LLU)	1		
16	36080495050	BOLT,SEMS (M10X25,WITH WASHER)	9		
17	36080505080	KEY	1		
18	36081325060	WHEEL,WORM	1		
19	36081325070	CASE,GEAR	1		
20	80500006209	BEARING,BALL	1		
21	80601110450	RING,RITAINING	1		S45
22	36080015000	PIN	2		
23	82400000478	BREATHER	1		
31	36081615500	GEAR,SPUR	1		
50	36081610000	REDUCER,SWING SPEED	1		

TM-ZE360 41002404034A FRAME/STANDARD, MANUAL VALVE(2.93T)
PD1020069-00 SWING UNIT



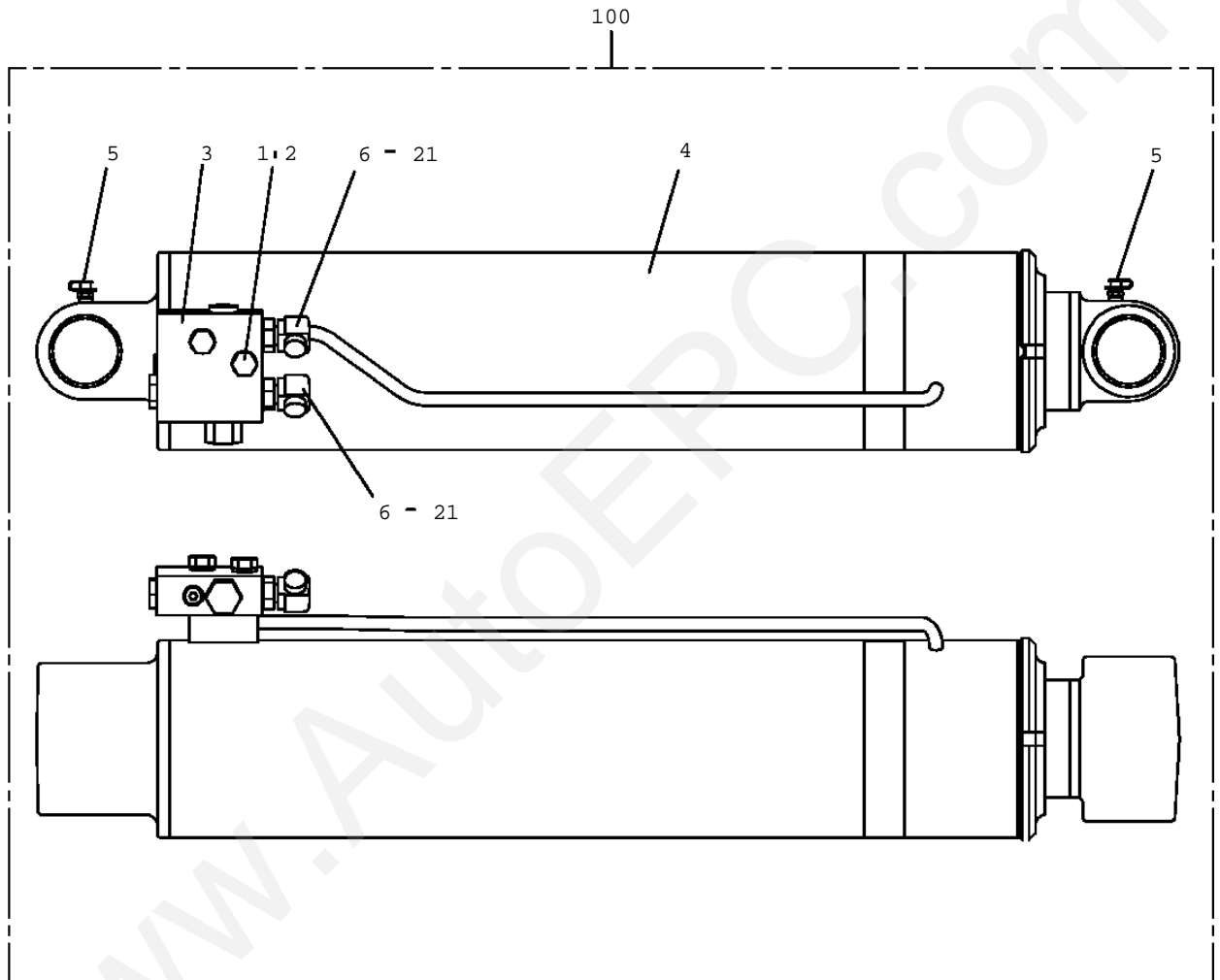
A-A

TM-ZE360 41002404034A FRAME/STANDARD, MANUAL VALVE(2.93T)

Pos No.	Parts No	Parts Name	Qty	Unit	Technical Data	Serial No (Start)
1	37002302720	BEARING, SWING (NTN)	1			
2	31300070010	BOLT	19		M20X80	
3	37001500560	BOLT	10		M18X55	
4	90171116040	BOLT	4		M16X40	
5	90303501601	WASHER, PLAIN	4		16	
6	36081610000	REDUCER, SWING SPEED	1			
7	91001208500	O-RING	1		1A G85	
8	90172112035	BOLT, HEXAGON SOCKET	2		M12X35	
9	90302041201	WASHER, SPRING	2		12	
10	36663950000	MOTOR, HYDRAULIC	1			
11	90303502008	WASHER, PLAIN	15			
12	90303501805	WASHER, PLAIN	10		18	

www.AutoEPC.com

TM-ZE360 41002404034A FRAME/STANDARD, MANUAL VALVE (2.93T)
PD5020009-00 DERRICK ASSY

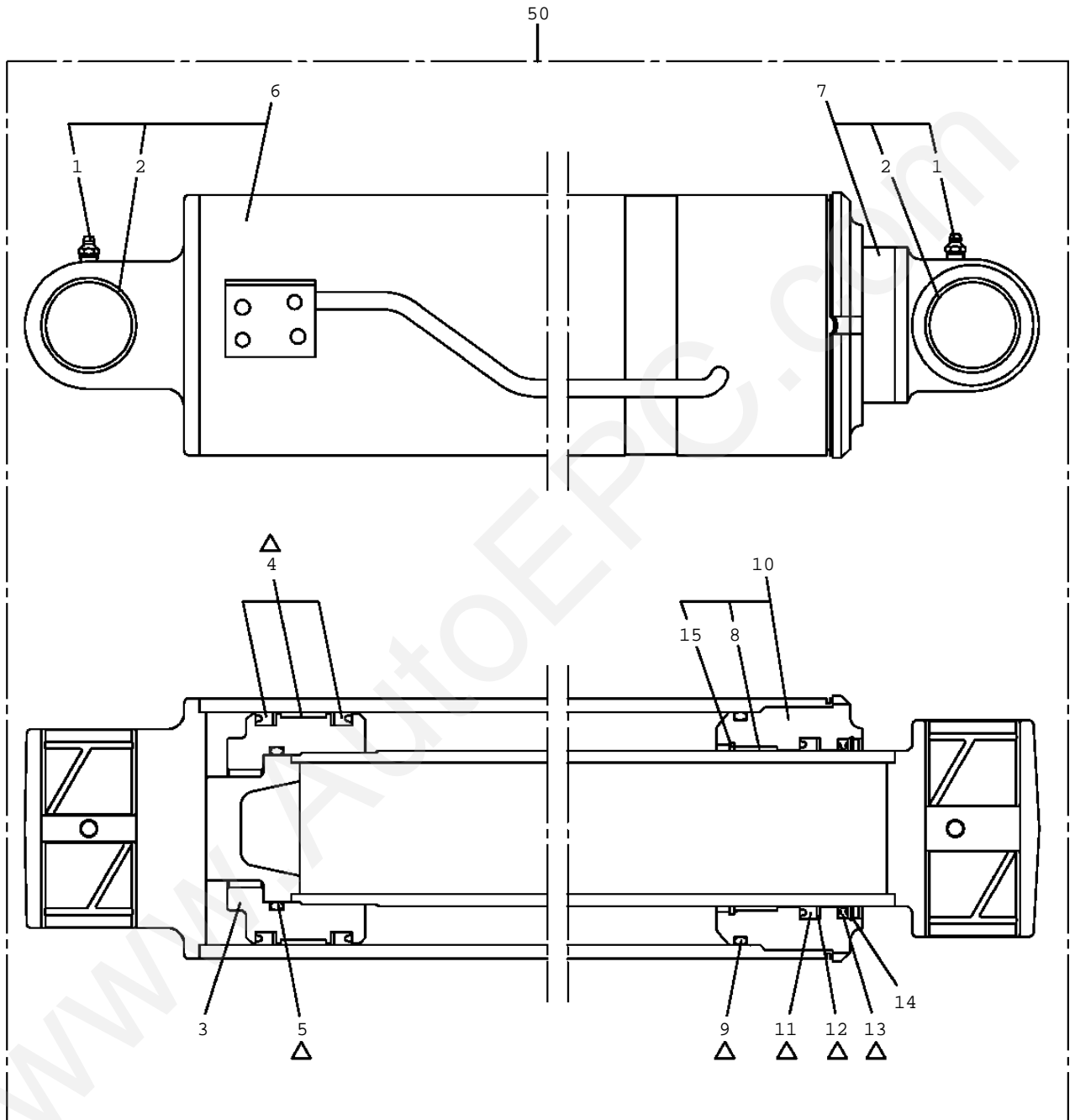


TM-ZE360 41002404034A FRAME/STANDARD, MANUAL VALVE(2.93T)

Pos No.	Parts No	Parts Name	Qty	Unit	Technical Data	Serial No (Start)
1	90171110040	BOLT	2		M10X40	
2	90302041001	WASHER, SPRING	2		10	
3	36606510002	VALVE, COUNTERBALANCE	1			
4	36027690000	CYLINDER ASSY, DERRICK	1			
5	82400000459	CAP	2			
6	80430620600	JOINT (WITH O-RING)	2		L, G3/8-G3/8	
21	91002801400	O-RING	2		1B P14	
100	31241370002	DERRICK ASSY	1			

www.AutoEPC.com

TM-ZE360 41002404034A FRAME/STANDARD, MANUAL VALVE (2.93T)
 PE1010493-02 CYLINDER ASSY, DERRICK



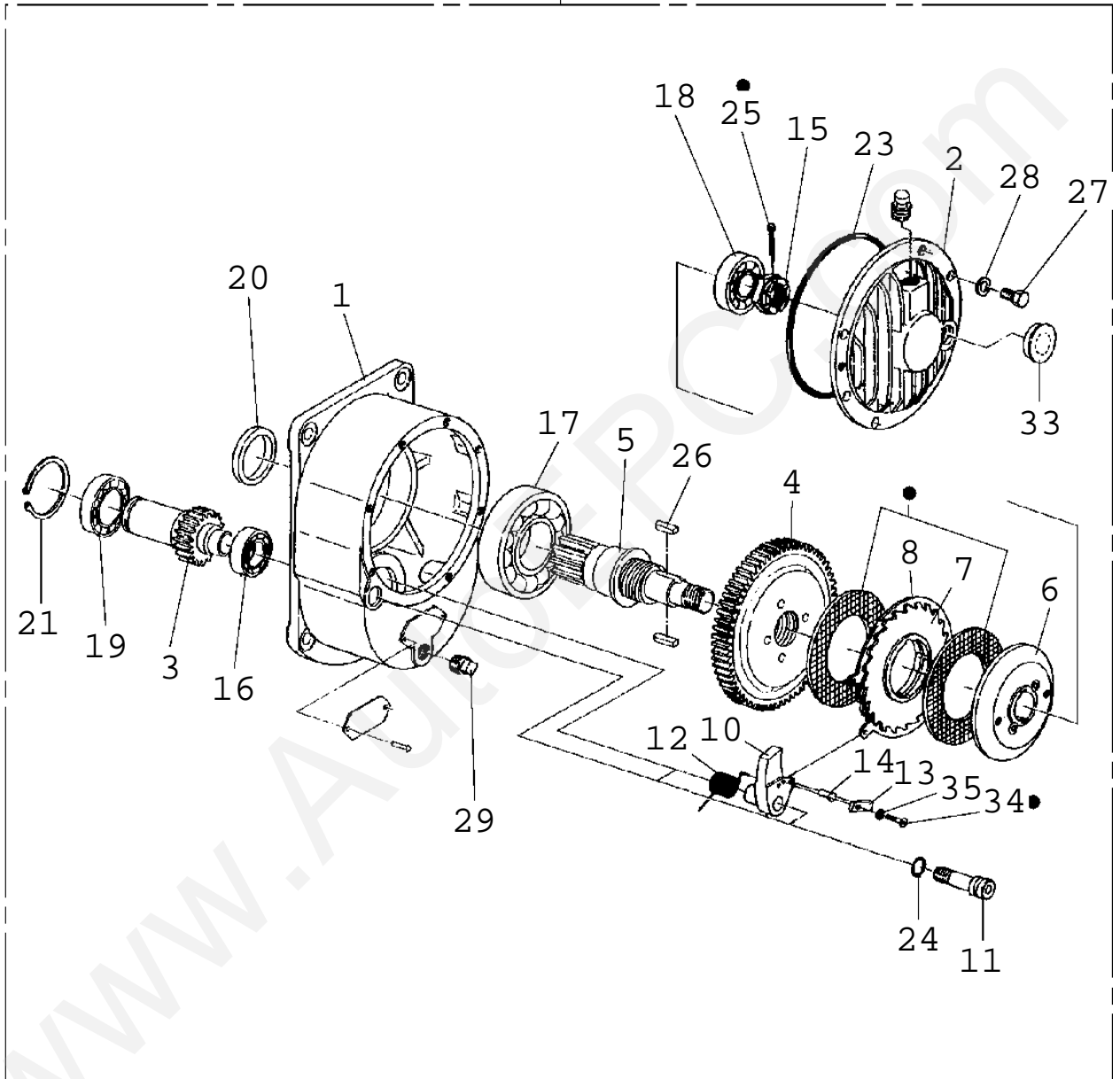
Δ:PACKING SET KEY NO. 40 (KEY NO.4,5,9,11,12,13)

TM-ZE360 41002404034A FRAME/STANDARD,MANUAL VALVE(2.93T)

Pos No.	Parts No	Parts Name	Qty	Unit	Technical Data	Serial N
1	82456101000	NIPPLE,GREASE	2		A-PT1/8	
2	37000402780	BEARING,PLAIN (NDC)	2			
	37000403580	BEARING,PLAIN (DAIDO METAL)	4			
3	36027691000	PISTON	1			
4	91350213500	BEARING,PLAIN (WITH PACKINGX2)	1			
5	91002808500	O-RING	1		1B P85	
6	36027699510	CYLINDER ASSY	1			
7	36025869520	ROD ASSY	1			
8	37000403700	BEARING,PLAIN	1			
9	91002812500	O-RING	1		1B P125	
10	36027699520	COVER,ROD	1			
11	91694009000	PACKING	1			
12	91410209000	RING,BACKUP	1			
13	91660009000	SEAL,DUST	1			
14	80622000900	RING,RITAINING	1		SP90	
15	80612110980	RING,RITAINING	1		AR98	
40	36027699900	PACKING SET	1		90X135	
50	36027690000	CYLINDER ASSY,DERRICK	1			

www.AutoEPC.com

100



- : FACING KIT KEY NO1 0 1(JAPANESE)
- : FACING KIT KEY NO1 0 2(ENGLISH)

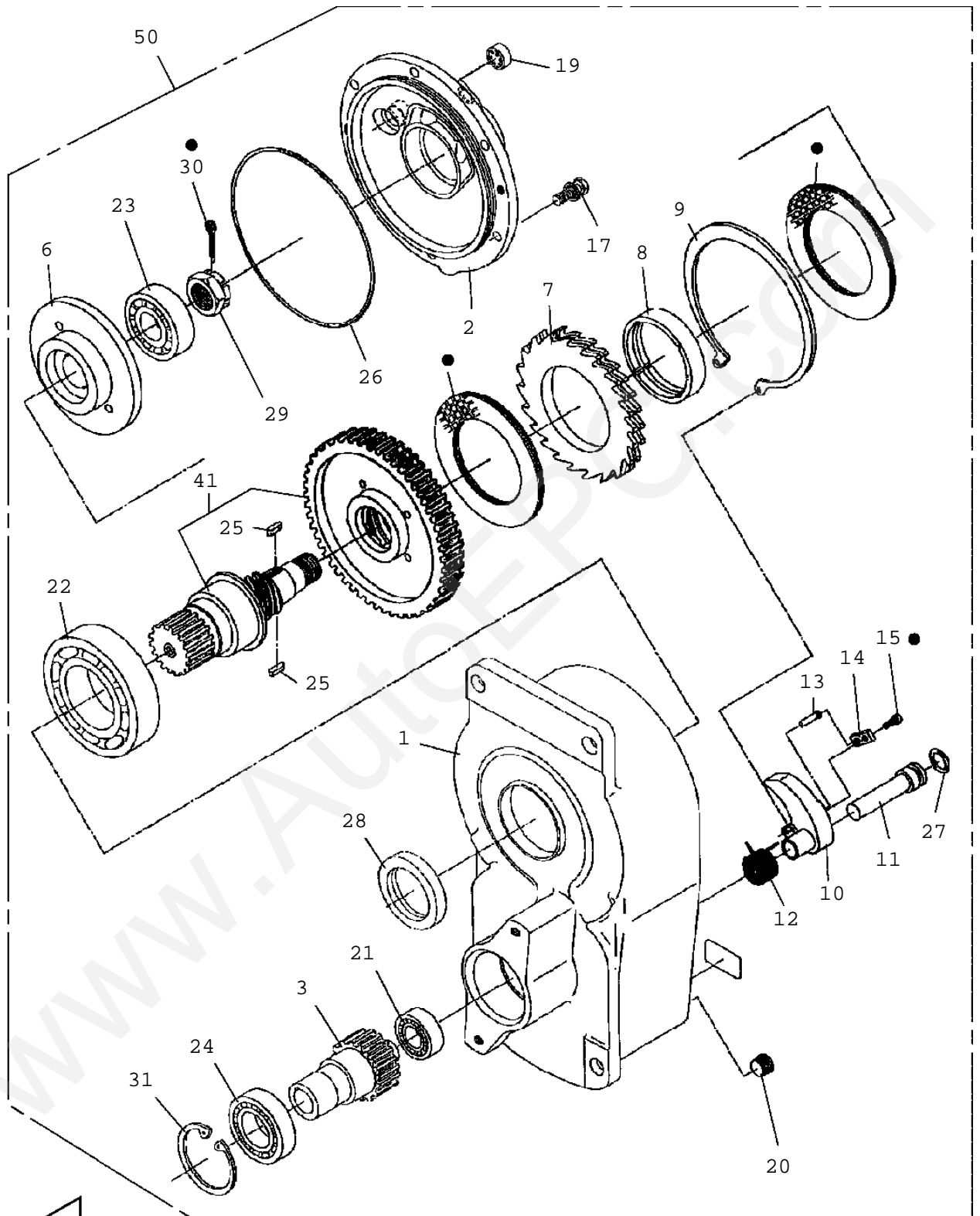


- Protective seal
- Replacement interval name plate

TM-ZE360 41002404034A FRAME/STANDARD, MANUAL VALVE(2.93T)

Pos No.	Parts No	Parts Name	Qty	Unit	Technical Data	Serial No (
1	36072625080	CASE,GEAR	1			
2	36072625020	CASE,GEAR	1			
3	36072625030	GEAR,SPUR	1			
4	36072625100	GEAR,SPUR	1			
5	36072625050	GEAR,SPUR	1			
6	36072625110	BRAKE,DISK	1			
7	36072625120	WHEEL,RATCHET (BUSH L=17MM)	1			
8	36071195080	LINK (RATCHET CONTROL)	1			
10	36071195100	RATCHET	1			
11	36072625090	SHAFT	1			
12	36071195120	SPRING	1			
13	36071195130	CAP	1			
14	36071195140	PIN	1			
15	36071195150	NUT	1			
16	80500006202	BEARING,BALL	1			
17	80500006212	BEARING,BALL	1			
18	80500006305	BEARING,BALL	1			
19	80500006007	BEARING,BALL	1			
20	91206048001	SEAL,OIL	1			
21	80602110620	RING,RITAINING	1		R62	
23	36071195200	O-RING	1			
24	36071195170	O-RING	1		P15	
25	80136340040	PIN,SPLIT	1		4X40	
26	36072625070	KEY	2			
27	90101208018	BOLT	6		M8X18	
28	90302040801	WASHER,SPRING	6		8	
29	80316030060	PLUG	1		PT3/8	
33	36071195190	GAUGE,OIL	1			
34	80172304015	SCREW,MACHINE	1		M4X15	
35	90302040401	WASHER,SPRING	1		4	
100	36072620000	WINCH (HARTYS)	1			
101	36070441000	FACING KIT(JAPANESE)	1			
102	36070442000	FACING KIT (ENGLISH)	1			

TM-ZE360 41002404034A FRAME/STANDARD, MANUAL VALVE (2.93T)
 PF1010237-01 WINCH (OOKUBO)



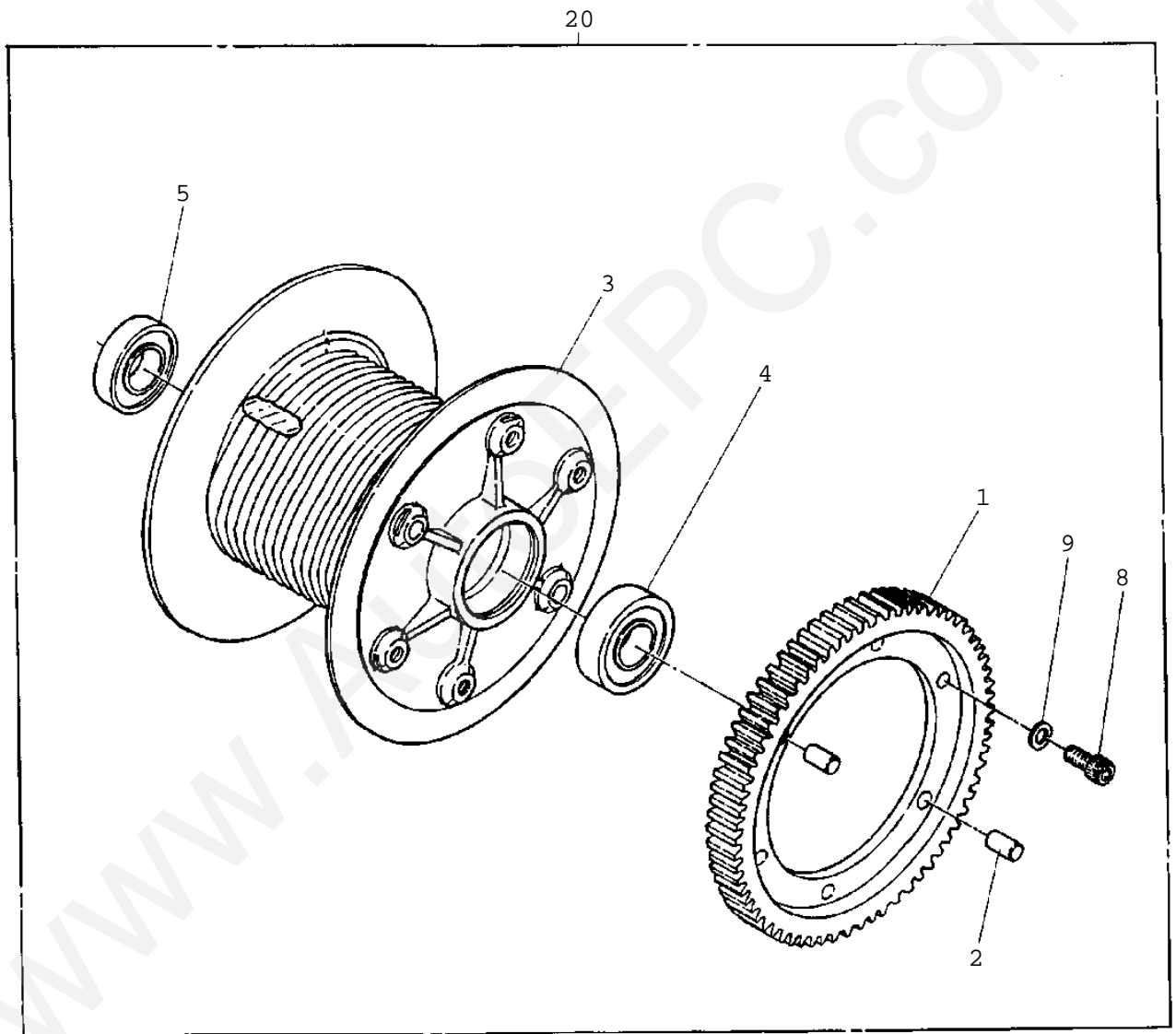
● Protective seal
 ○ Replacement interval name plate

● : FACING KIT KEY NO.101 (JAPANESE)
 ● : FACING KIT KEY NO.102 (ENGLISH)

TM-ZE360 41002404034A FRAME/STANDARD,MANUAL VALVE(2.93T)

Pos No.	Parts No	Parts Name	Qty	Unit	Technical Data	Serial No (Start)
1	36072255010	CASING	1			
2	36072255020	COVER	1			
3	36072255030	GEAR (1)	1			
6	36073425030	DISK	1			
7	36073425020	WHEEL,RATCHET	1			
8	36073425040	BUSH	1			
9	36072255091	RING,SLIP	1			
10	36072255101	RATCHET	1			
11	36072255110	PIN	1			
12	36072255120	SPRING	1			
13	36072255130	PIN	1			
14	36072255140	PLATE (LOCK)	1			
15	80172304010	SCREW,MACHINE	1		M4X10	
17	36072255160	BOLT (WITH WASHER)	6		M8X25	
19	36072255180	GAUGE,OIL	1			
20	36072255240	PLUG	1			
21	80500006004	BEARING,BALL	1			
22	80500006212	BEARING,BALL	1			
23	80500006305	BEARING,BALL	1			
24	80500006007	BEARING,BALL	1			
25	36072255190	KEY	2		7X7X20	
26	36072255250	O-RING	1			
27	91001101500	O-RING	1		1A P15	
28	36072255210	SEAL,OIL	1			
29	36072255220	NUT,CASTLE	1		M24	
30	80136350035	PIN,SPLIT	1		5X35	
31	80602110620	RING,RITAINING	1		R62	
41	36073435011	GEAR SET	1			
50	36073430000	WINCH (OOKUBO)	1			
101	36072251000	FACING KIT(JAPANESE)	1			
102	36072252000	FACING KIT (ENGLISH)	1			

TM-ZE360 41002404034A FRAME/STANDARD, MANUAL VALVE (2.93T)
PF1020004-01 DRUM, WINCH

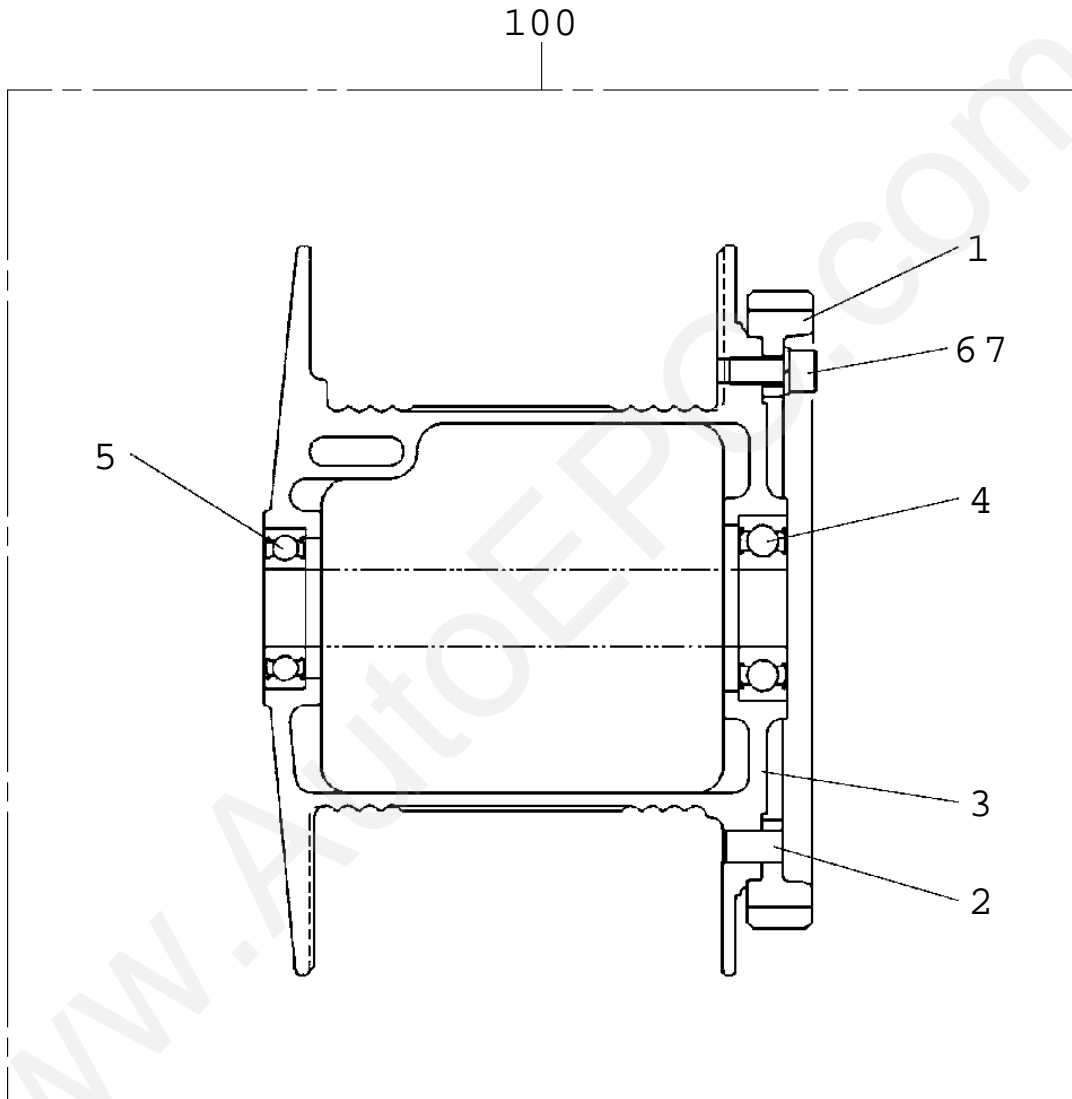


TM-ZE360 41002404034A FRAME/STANDARD,MANUAL VALVE(2.93T)

Pos No.	Parts No	Parts Name	Qty	Unit	Technical Data	Serial No (Start)
1	31310237510	GEAR, SPUR	1			
2	31310005010	PIN	2			
3	31310617510	DRUM	1			
4	80516006306	BEARING, BALL	1			
5	80516006206	BEARING, BALL	1			
8	31310617520	BOLT, HEXAGON SOCKET	4		M10X25	
9	90302041001	WASHER, SPRING	4		10	
20	31310610100	DRUM, WINCH	1			

www.AutoEPC.com

TM-ZE360 41002404034A FRAME/STANDARD, MANUAL VALVE (2.93T)
PF1020035-00 DRUM, WINCH



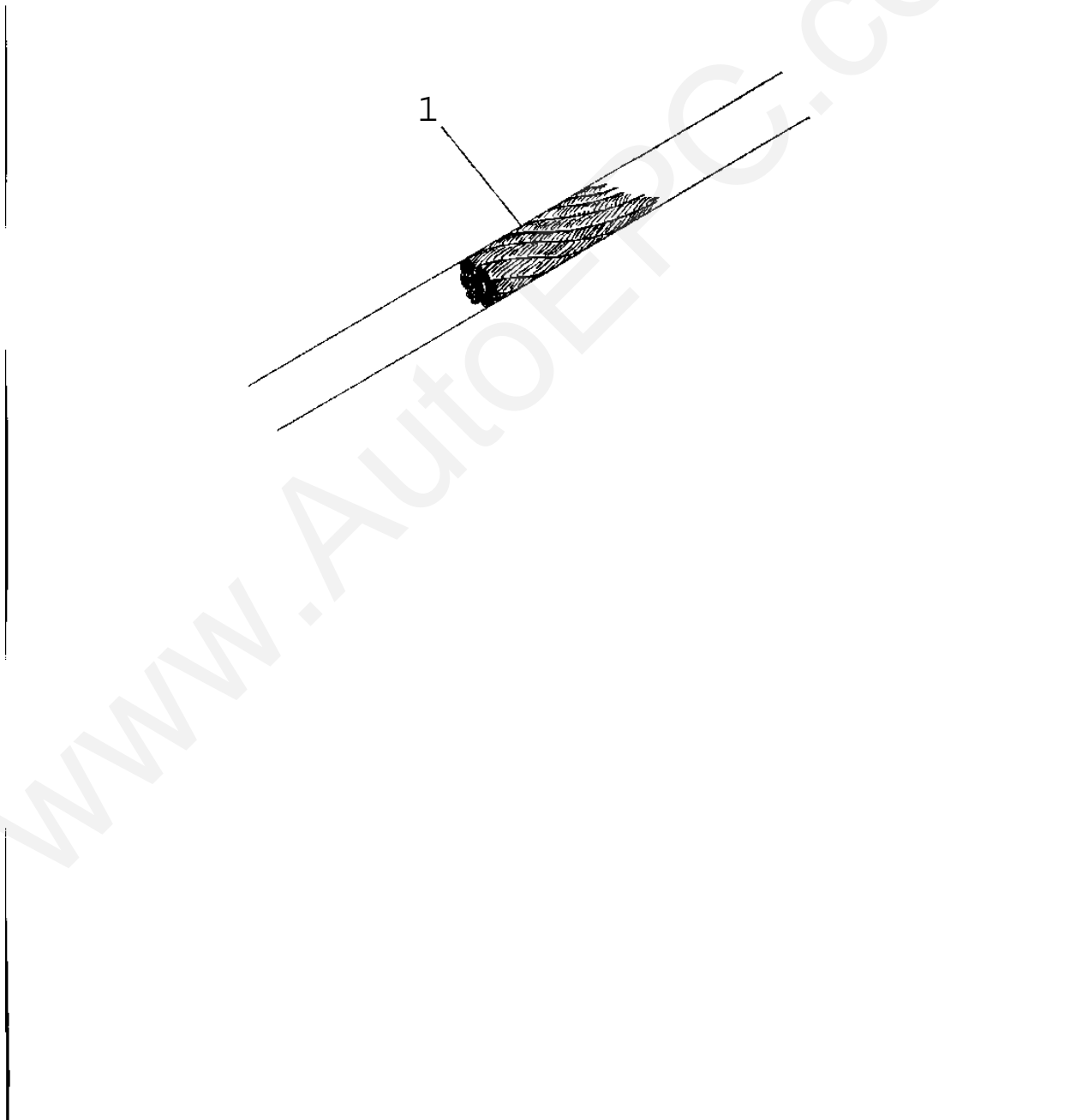
TM-ZE360 41002404034A FRAME/STANDARD,MANUAL VALVE(2.93T)

Pos No.	Parts No	Parts Name	Qty	Unit	Technical Data	Serial No (Start)
1	31310617530	GEAR,SPUR	1			
2	31310617540	PIN	2			
3	31310617550	DRUM	1			
4	80516006306	BEARING,BALL	1			
5	80516006206	BEARING,BALL	1			
6	90172410025	BOLT,HEXAGON SOCKET	4		M10X25	
7	90302041001	WASHER,SPRING	4		10	
100	31310610300	DRUM,WINCH	1			

www.AutoEPC.com

TM-ZE360 41002404034A FRAME/STANDARD,MANUAL VALVE(2.93T)
PF1070033-00 ROPE,WIRE (KISWIRE)

REF. NAME

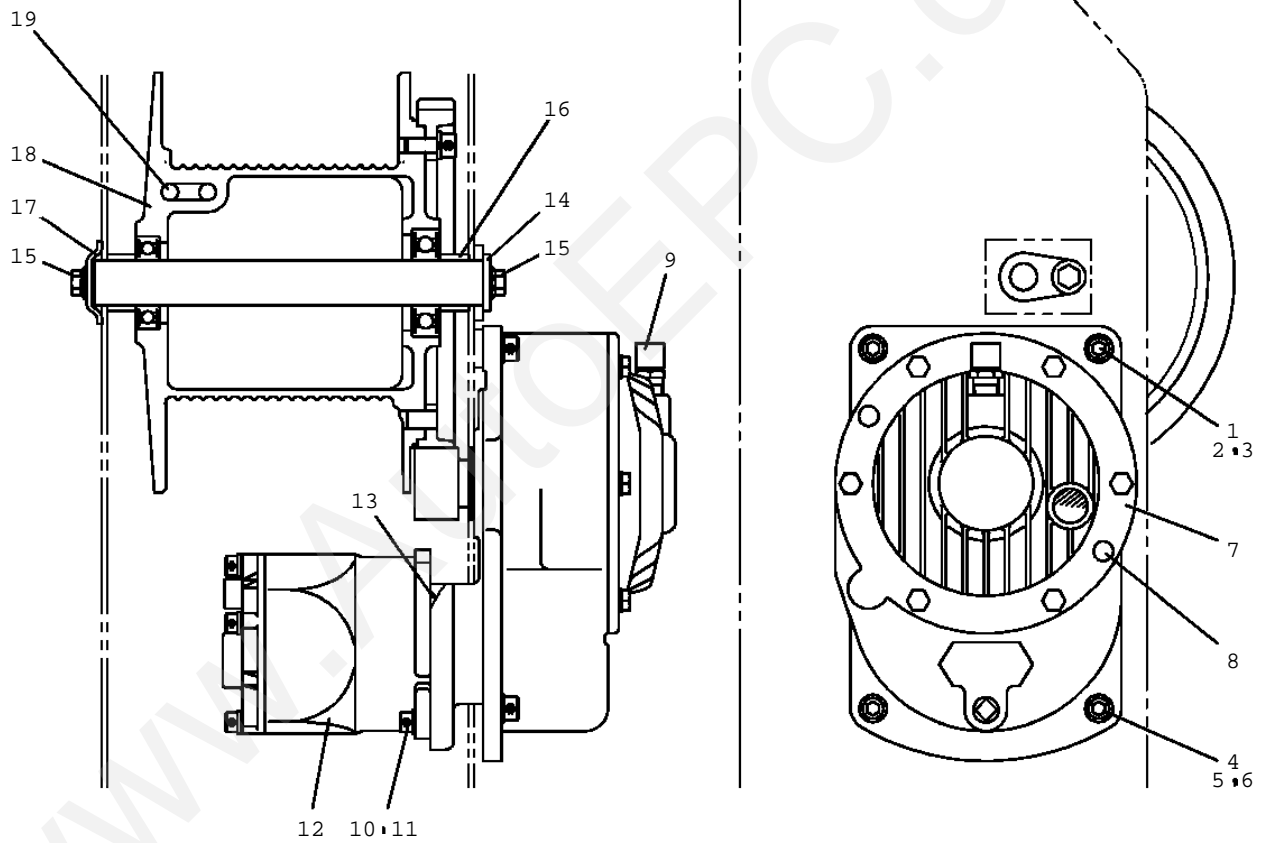


TM-ZE360 41002404034A FRAME/STANDARD,MANUAL VALVE(2.93T)

Pos No.	Parts No	Parts Name	Qty	Unit	Technical Data	Serial No (Start)
1	37001804860	ROPE,WIRE (KISWIRE)	1			

www.AutoEPC.com

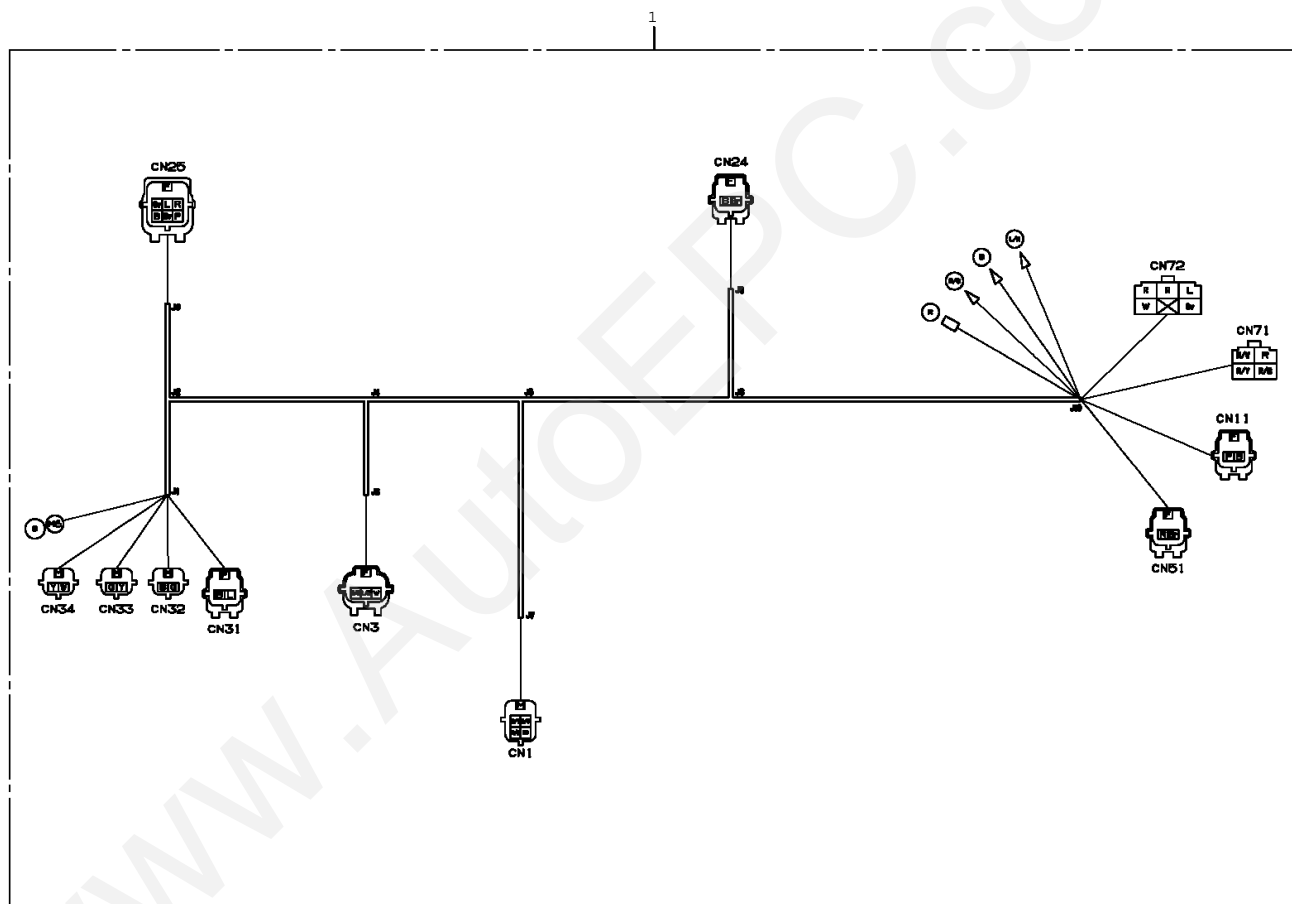
TM-ZE360 41002404034A FRAME/STANDARD, MANUAL VALVE (2.93T)
PF1400303-03 MOUNT, WINCH



TM-ZE360 41002404034A FRAME/STANDARD,MANUAL VALVE(2.93T)

Pos No.	Parts No	Parts Name	Qty	Unit	Technical Data	Serial No (Star
1	37001500000	BOLT	1			
2	90302041201	WASHER,SPRING	1		12	
3	90303101201	WASHER,PLAIN	1		12	
4	90172110028	BOLT,HEXAGON SOCKET	3		M10X28	
5	90302041001	WASHER,SPRING	3		10	
6	90303071001	WASHER,PLAIN	3		10	
7	36073810000	WINCH ASSY (Y.G.TEC)	1			
	36072620000	WINCH (HARTYS)	1			
	36073430000	WINCH (OOKUBO)	1			
8	82401800080	PLUG (FOR M8)	2			
9	31310610500	BREATHER,AIR	1			
10	90172108025	BOLT,HEXAGON SOCKET	2		M8X25	
11	90302040801	WASHER,SPRING	2		8	
12	36663100000	MOTOR,HYDRAULIC (WINCH)	1			
13	91001206000	O-RING	1		1A G60	
14	37000134390	PIN	1			
15	90186210014	BOLT,FLANGE	2		M10X14	
16	37000300350	SPACER	2		L=18.5	
17	31310391000	COVER	1			
18	31310610100	DRUM,WINCH	1			
	31310610300	DRUM,WINCH	1			
19	37002600190	WEDGE	1		8	

TM-ZE360 41002404034A FRAME/STANDARD,MANUAL VALVE(2.93T)
PH5030825-00 HARNESS

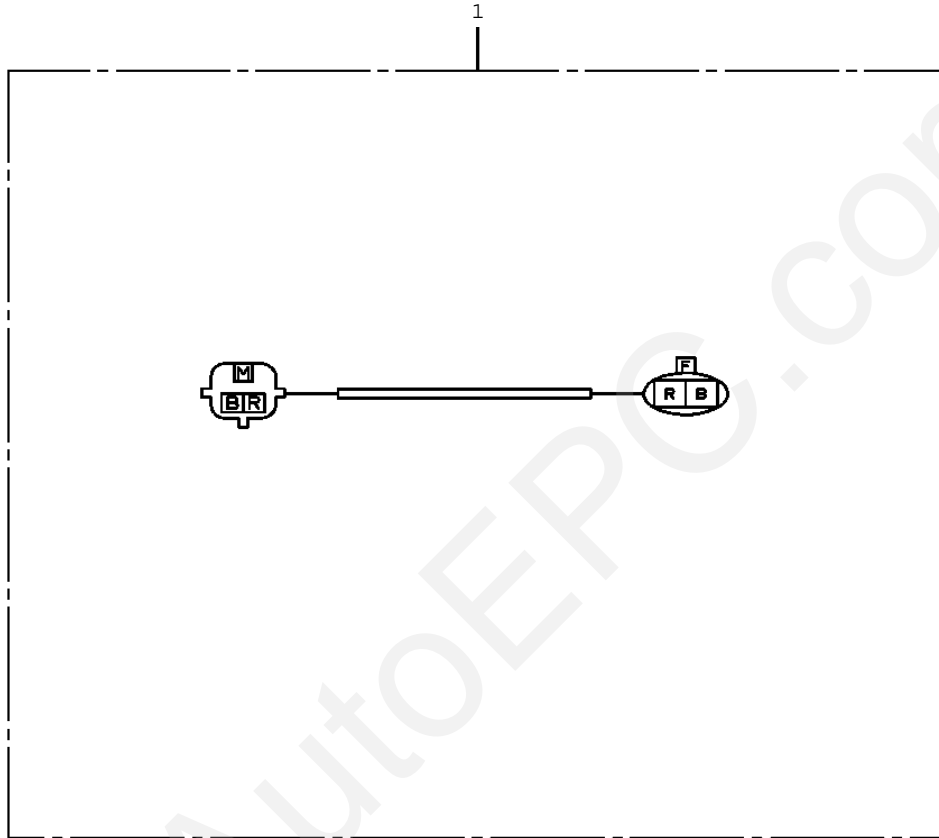


TM-ZE360 41002404034A FRAME/STANDARD,MANUAL VALVE(2.93T)

Pos No.	Parts No	Parts Name	Qty	Unit	Technical Data	Serial No (Start)	Serial No
1	31656290100	HARNESS	1				

www.AutoEPC.com

TM-ZE360 41002404034A FRAME/STANDARD, MANUAL VALVE (2.93T)
PH5030826-00 HARNESS

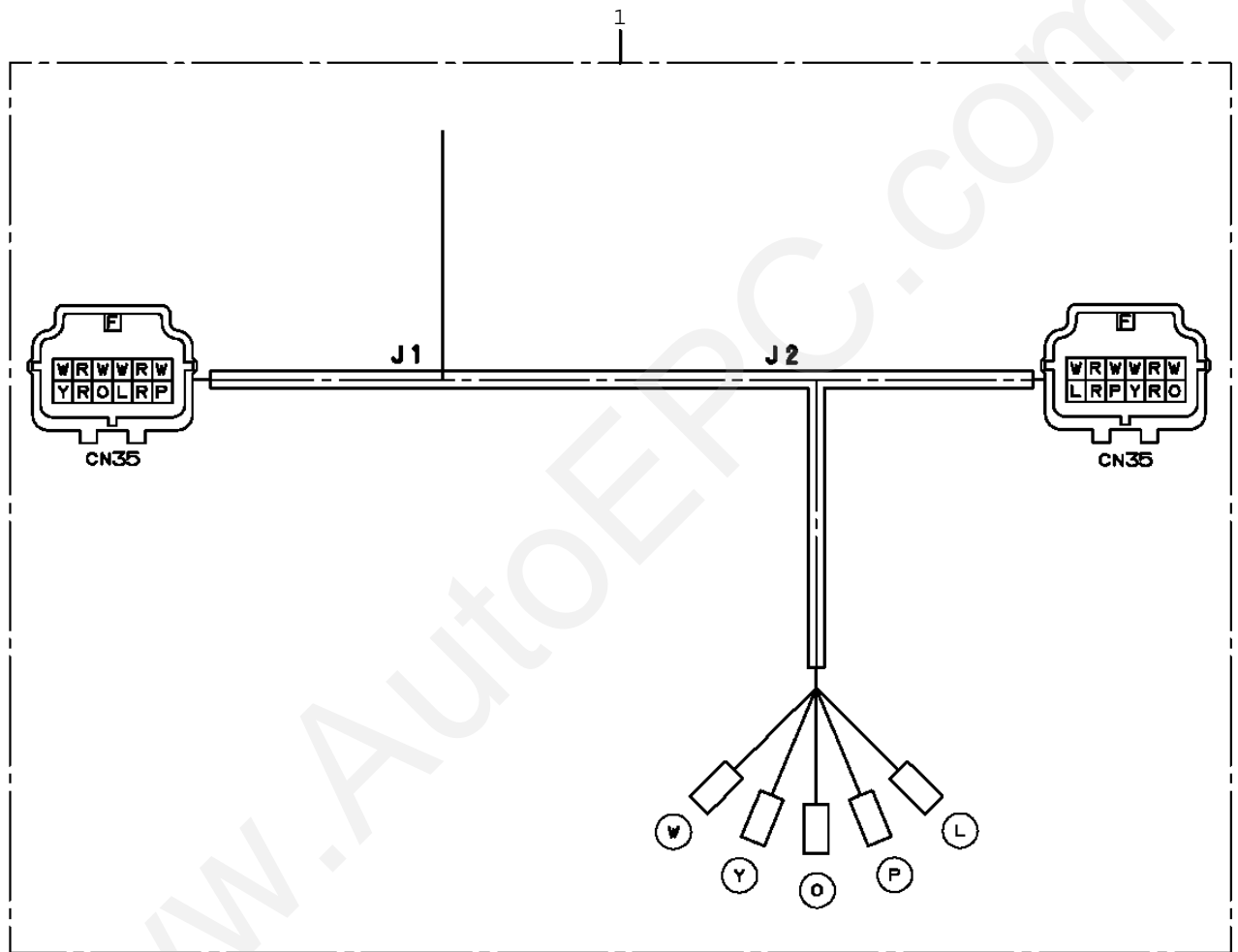


TM-ZE360 41002404034A FRAME/STANDARD,MANUAL VALVE(2.93T)

Pos No.	Parts No	Parts Name	Qty	Unit	Technical Data	Serial No (Start)	Serial No
1	31656290400	HARNESS	1		L=460		

www.AutoEPC.com

TM-ZE360 41002404034A FRAME/STANDARD, MANUAL VALVE (2.93T)
PH5031732-00 HARNESS



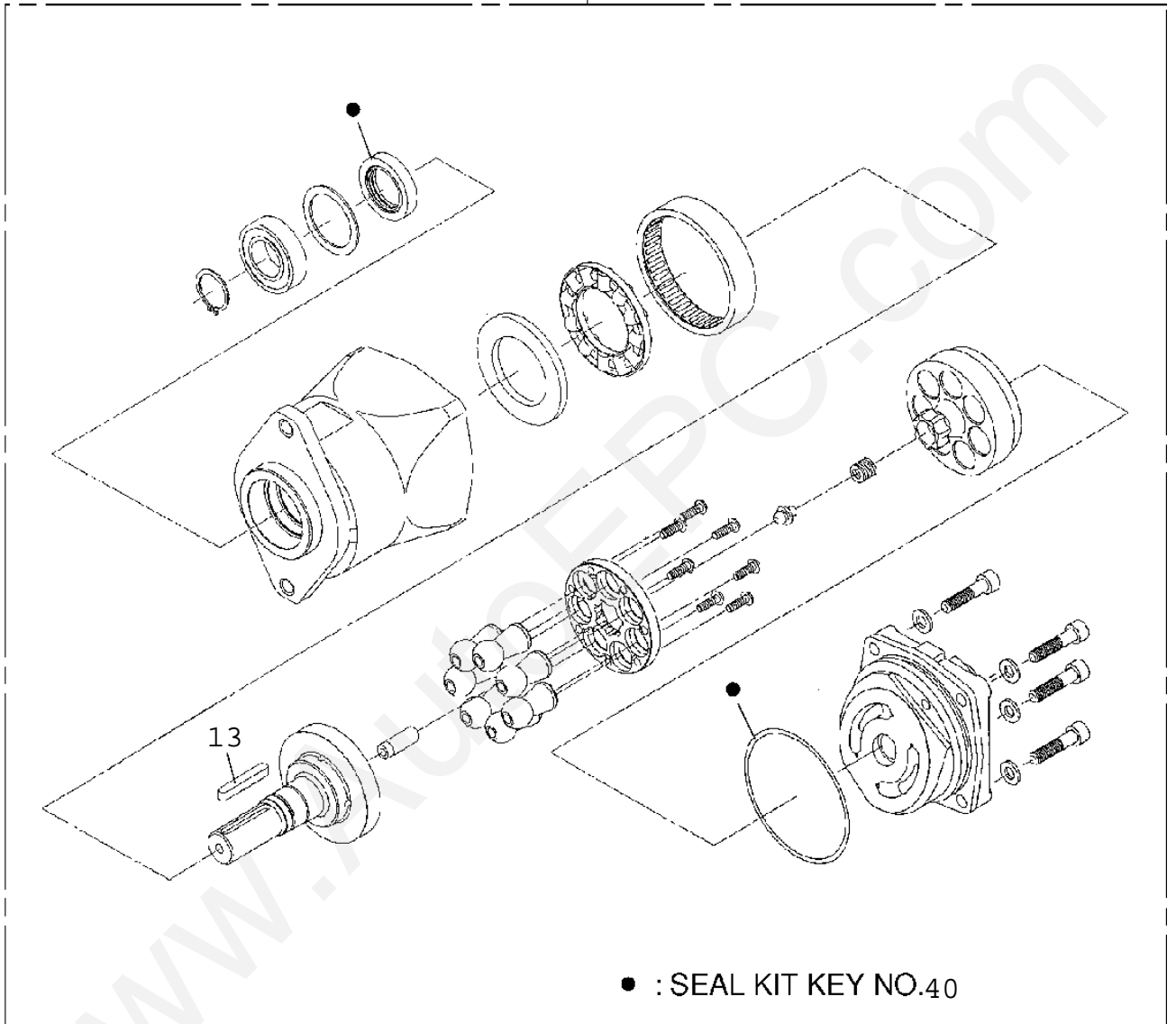
TM-ZE360 41002404034A FRAME/STANDARD,MANUAL VALVE(2.93T)

Pos No.	Parts No	Parts Name	Qty	Unit	Technical Data	Serial No (Start)	Serial No
1	31656330200	HARNESS	1				

www.AutoEPC.com

TM-ZE360 41002404034A FRAME/STANDARD, MANUAL VALVE (2.93T)
PI1010152-00 MOTOR, HYDRAULIC (WINCH)

50



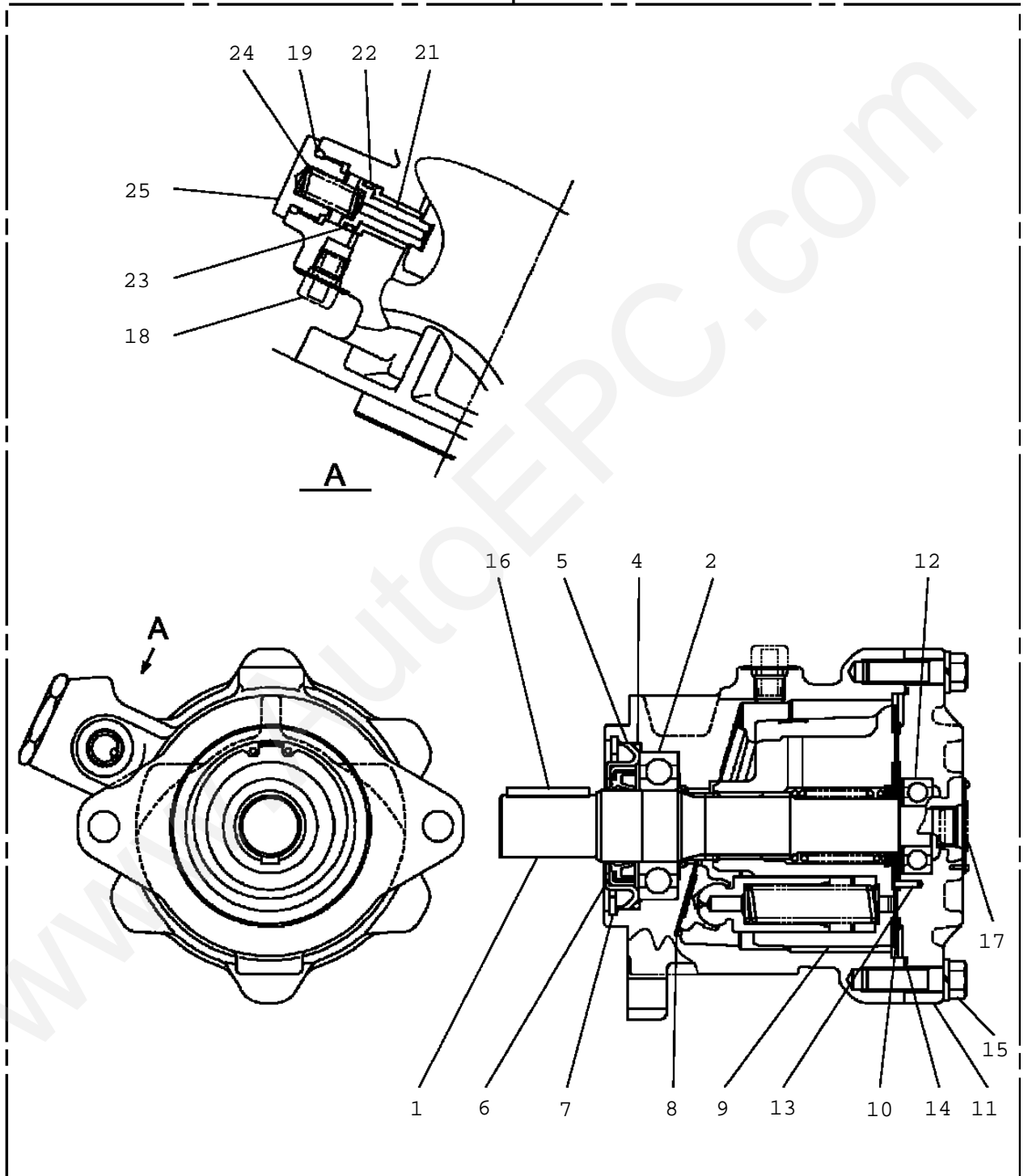
TM-ZE360 41002404034A FRAME/STANDARD,MANUAL VALVE(2.93T)

Pos No.	Parts No	Parts Name	Qty	Unit	Technical Data	Serial No (Star
13	36662185010	KEY (FEATHER)	1			
40	36662415020	SEAL KIT	1			
50	36663100000	MOTOR, HYDRAULIC (WINCH)	1			

www.AutoEPC.com

TM-ZE360 41002404034A FRAME/STANDARD, MANUAL VALVE(2.93T)
PI1010223-00 MOTOR, HYDRAULIC

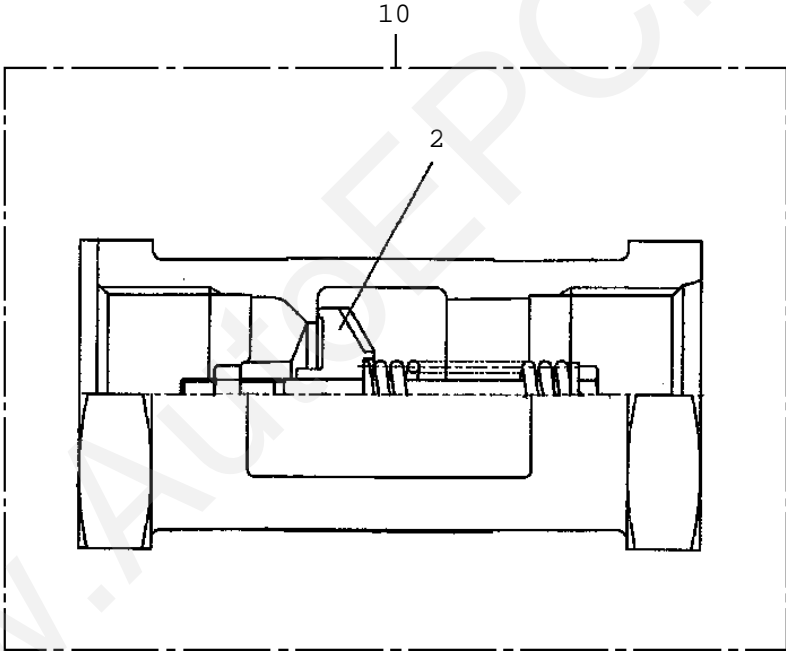
200



TM-ZE360 41002404034A FRAME/STANDARD,MANUAL VALVE(2.93T)

Pos No.	Parts No	Parts Name	Qty	Unit	Technical Data	Serial No (Start
1	36663955100	SHAFT	1			
2	80500006206	BEARING,BALL	1			
4	91001106500	O-RING	1		1A P65	
5	36660025020	COVER (OIL SEAL)	1			
6	36660025140	SEAL,OIL	1			
7	80601210720	RING,RITAINING	1		R72	
8	36663955020	PLATE,THRUST	1			
9	36663955030	BARREL ASSY (CYLINDER)	1			
10	36663955040	PLATE (VALVE)	1			
11	36661925030	COVER (BOTTOM)	1			
12	80500006203	BEARING,BALL	1			
13	36662355110	PIN	2			
14	36663955050	O-RING	1			
15	36663955060	BOLT	6		M10X35	
16	14125151020	KEY	1			
17	36660125060	PLUG	2		PF3/8	
18	36081315130	PROTECTOR (THREAD)	2			
19	91001102201	O-RING	1		1A P22A	
21	36663955070	PISTON (LOCK)	1			
22	91002801800	O-RING	1		1B P18	
23	91410001800	RING,BACKUP	1		P18	
24	36663955080	SPRING (LOCK)	1			
25	36663955090	CAP (LOCK)	1			
200	36663950000	MOTOR,HYDRAULIC	1			

TM-ZE360 41002404034A FRAME/STANDARD, MANUAL VALVE (2.93T)
PI1140170-02 VALVE, CHECK

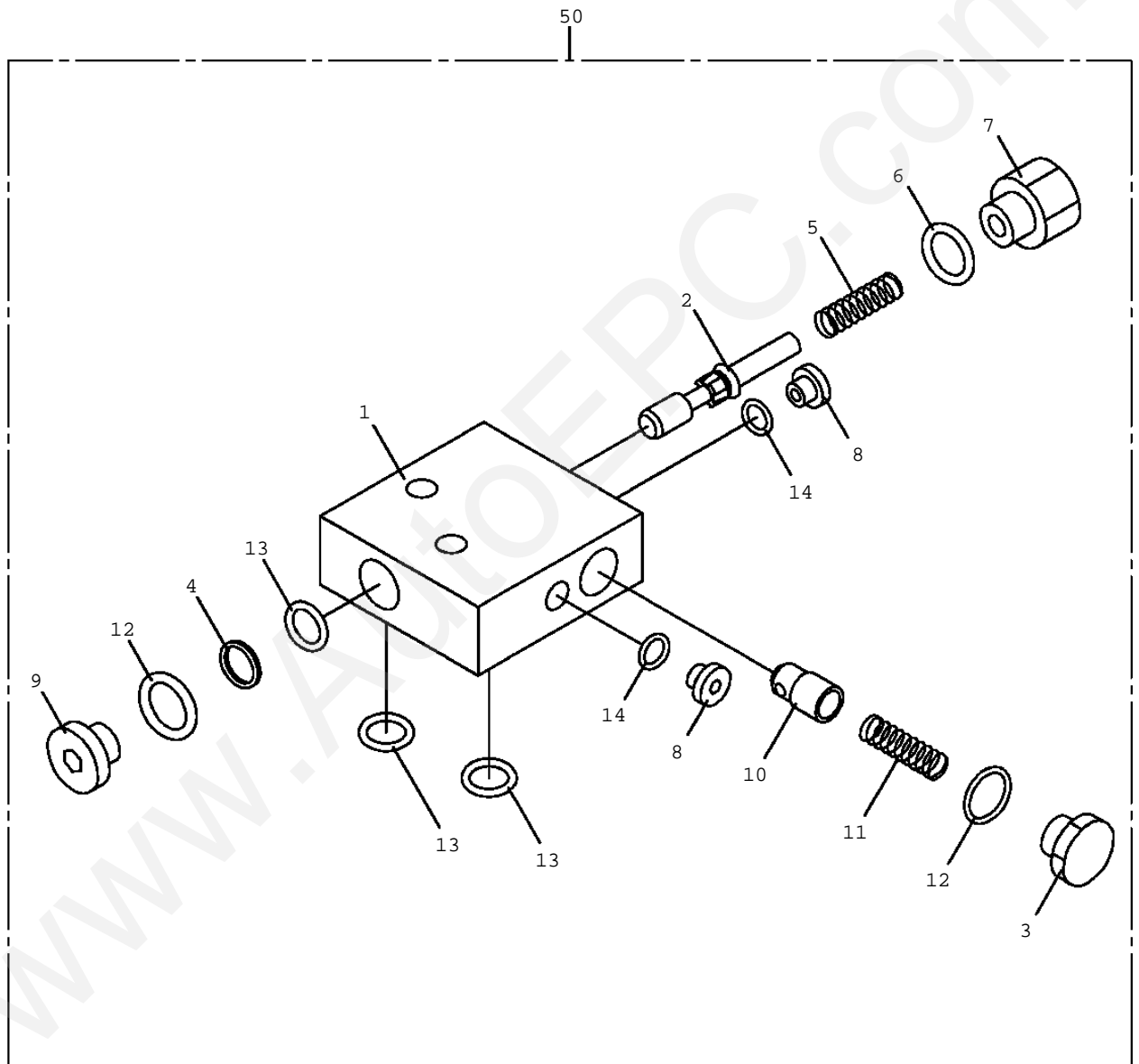


TM-ZE360 41002404034A FRAME/STANDARD,MANUAL VALVE(2.93T)

Pos No.	Parts No	Parts Name	Qty	Unit	Technical Data	Serial No (Start)	Serial N
2	36620405010	VALVE ASSY	1				
10	36620400000	VALVE,CHECK	1				

www.AutoEPC.com

TM-ZE360 41002404034A FRAME/STANDARD,MANUAL VALVE(2.93T)
PI1250160-00 VALVE,COUNTERBALANCE

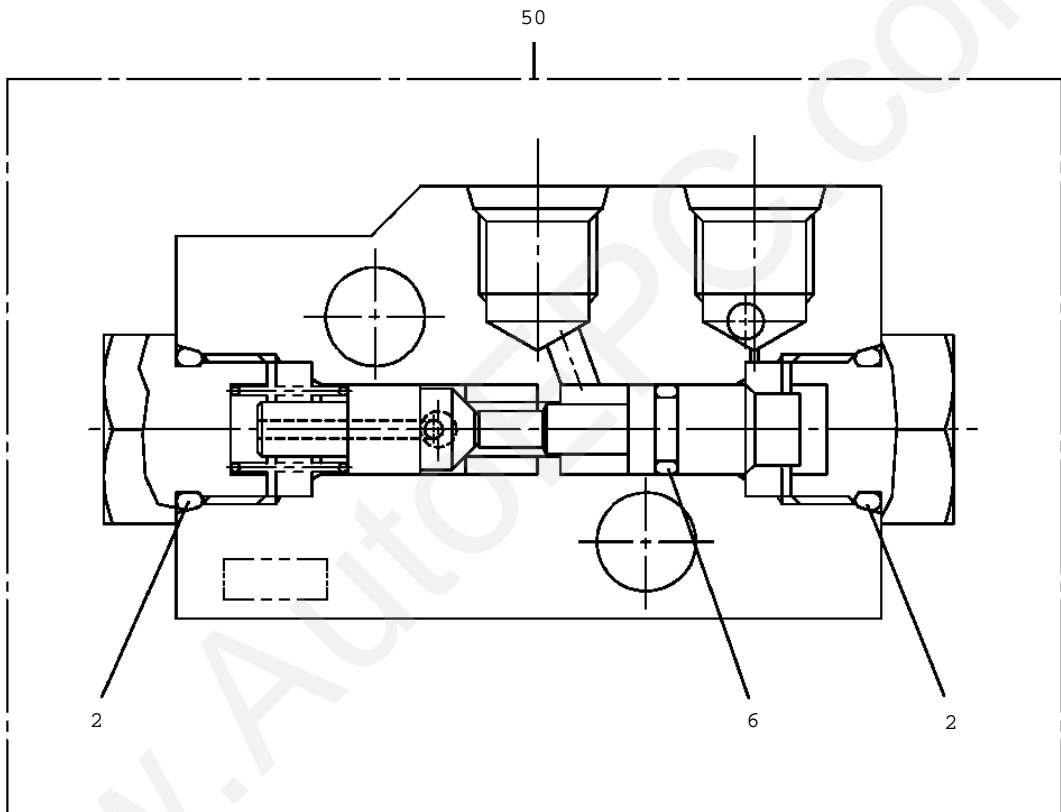


TM-ZE360 41002404034A FRAME/STANDARD,MANUAL VALVE(2.93T)

Pos No.	Parts No	Parts Name	Qty	Unit	Technical Data	Serial No (Start)
1	36606510200	BODY	1			
2	36605200201	SPOOL	1			
3	36605200030	PLUG	1			
4	91411001100	RING,BACKUP	1			
5	37001201750	SPRING	1			
6	91002801800	O-RING	1		1B P18	
7	36605200010	PLUG	1			
8	80316100010	PLUG	2		GPF1/8	
9	36605200020	PLUG	1			
10	36605200300	POPPET	1			
11	37001201760	SPRING	1			
12	91002801400	O-RING	2		1B P14	
13	91002801100	O-RING	3		1B P11	
14	91002800800	O-RING	2		1B P8	
50	36606510002	VALVE , COUNTERBALANCE	1			

www.AutoEPC.com

TM-ZE360 41002404034A FRAME/STANDARD,MANUAL VALVE(2.93T)
PI1280051-00 VALVE,PILOT CHECK



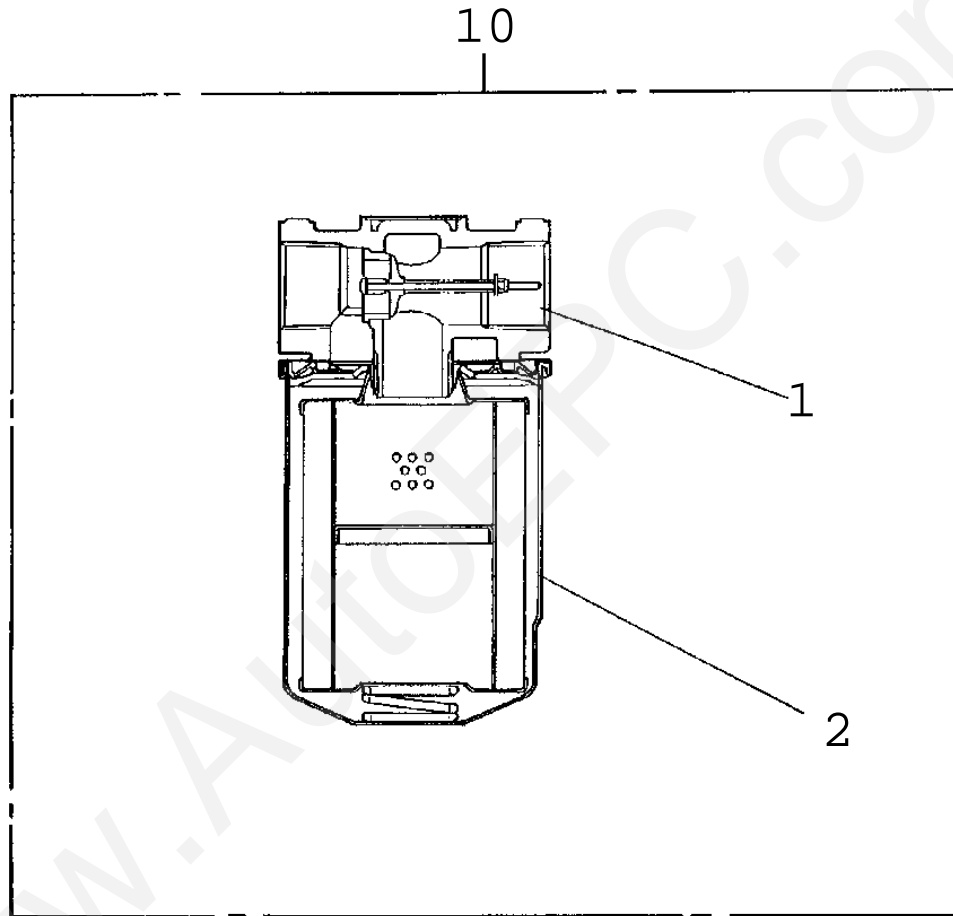
TM-ZE360 41002404034A FRAME/STANDARD, MANUAL VALVE(2.93T)

Pos No.	Parts No	Parts Name	Qty	Unit	Technical Data	Serial No (Start)	Se
2	91002801400	O-RING	2		1B P14		
6	91002800700	O-RING	1		1B P7		
50	36623930000	VALVE,PILOT CHECK	1				

www.AutoEPC.com

TM-ZE360 41002404034A FRAME/STANDARD,MANUAL VALVE(2.93T)
PI1300061-02 FILTER,OIL (YAMASHIN)

Assembly Name FILTER, OIL

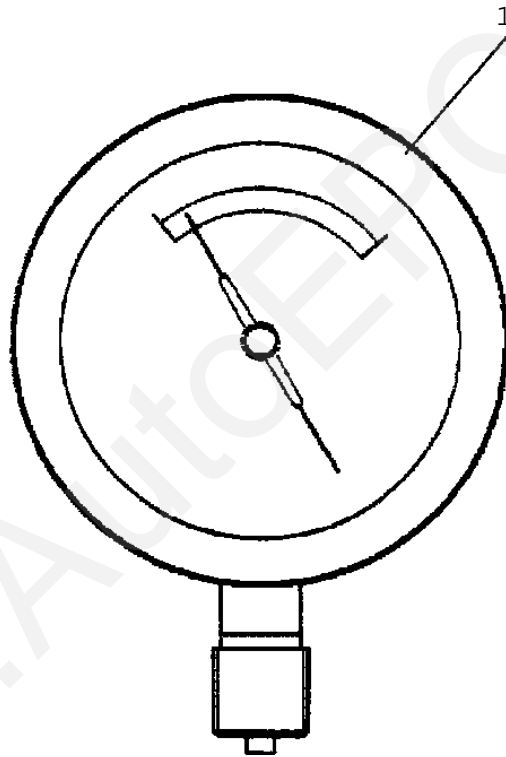


TM-ZE360 41002404034A FRAME/STANDARD,MANUAL VALVE(2.93T)

Pos No.	Parts No	Parts Name	Qty	Unit	Technical Data	Serial No (Start)
1	36672285010	HEAD ASSY	1			
2	36670109511	FILTER,CARTRIDGE	1			
10	36672280000	FILTER,OIL (YAMASHIN)	1			

www.AutoEPC.com

TM-ZE360 41002404034A FRAME/STANDARD, MANUAL VALVE (2.93T)
PI1440038-00 METER, LOAD (2.9TON ENGLISH/NAGANO)

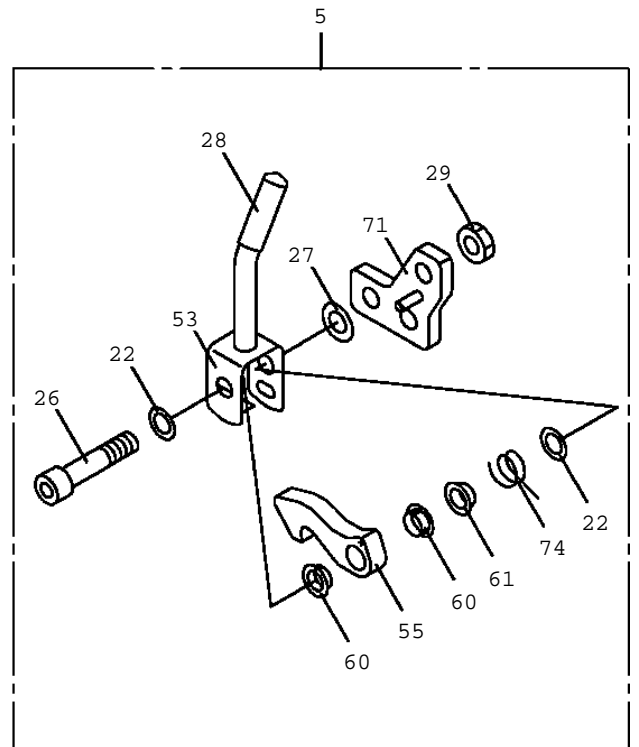
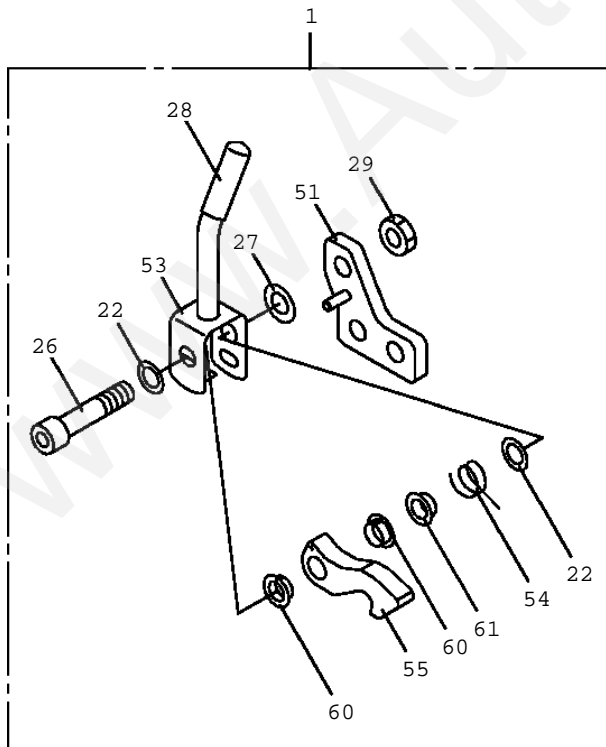
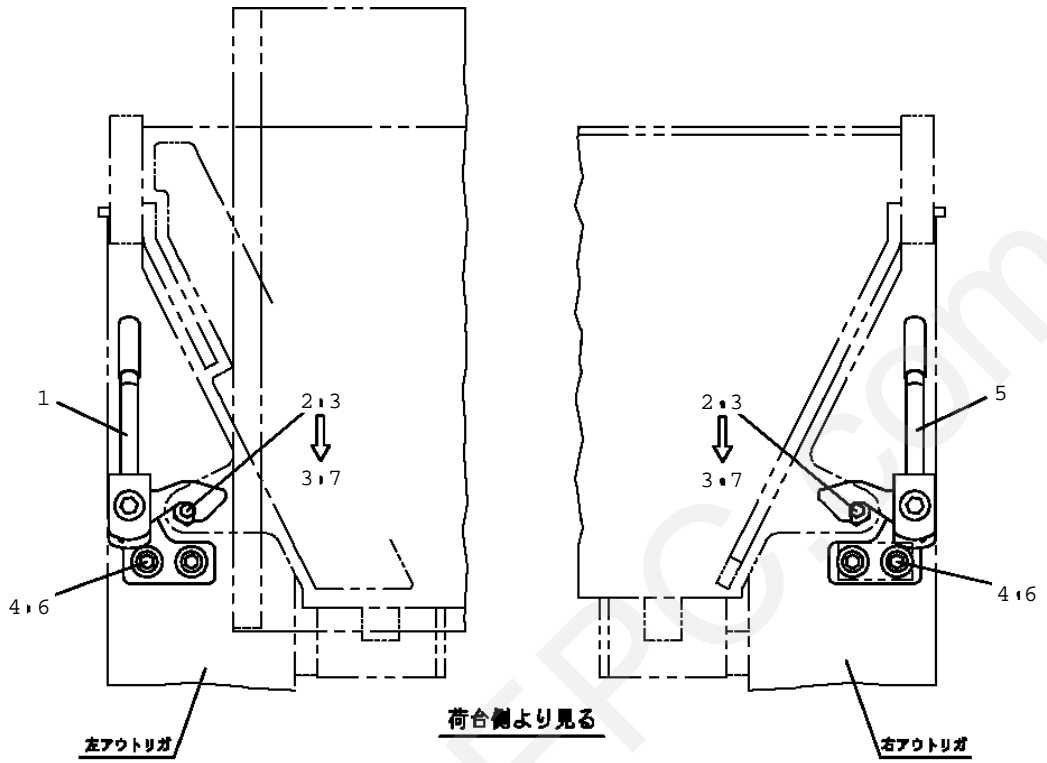


TM-ZE360 41002404034A FRAME/STANDARD,MANUAL VALVE(2.93T)

Pos No.	Parts No	Parts Name	Qty	Unit	Technical Data	Seri
1	36683850000	METER,LOAD (2.9TON ENGLISH/NAGANO)	1			

www.AutoEPC.com

TM-ZE360 41002404034A FRAME/STANDARD, MANUAL VALVE (2.93T)
 PJ3410033-01 LOCK ASSY (OUTRIGGER)

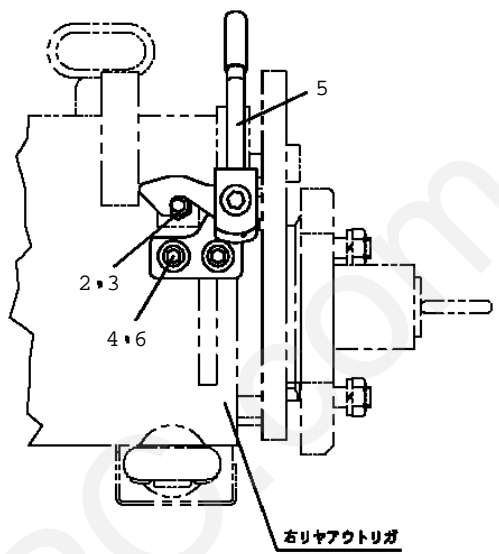
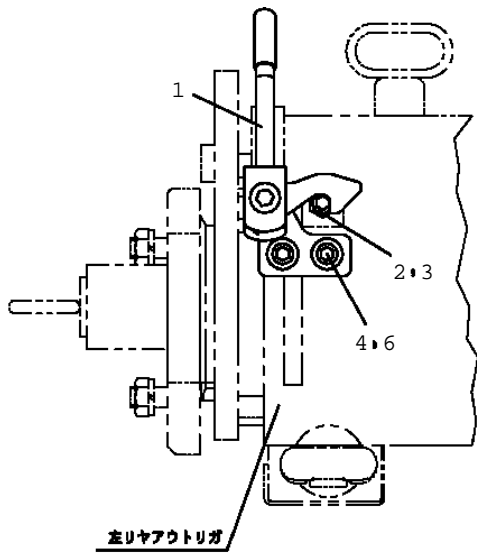


TM-ZE360 41002404034A FRAME/STANDARD,MANUAL VALVE(2.93T)

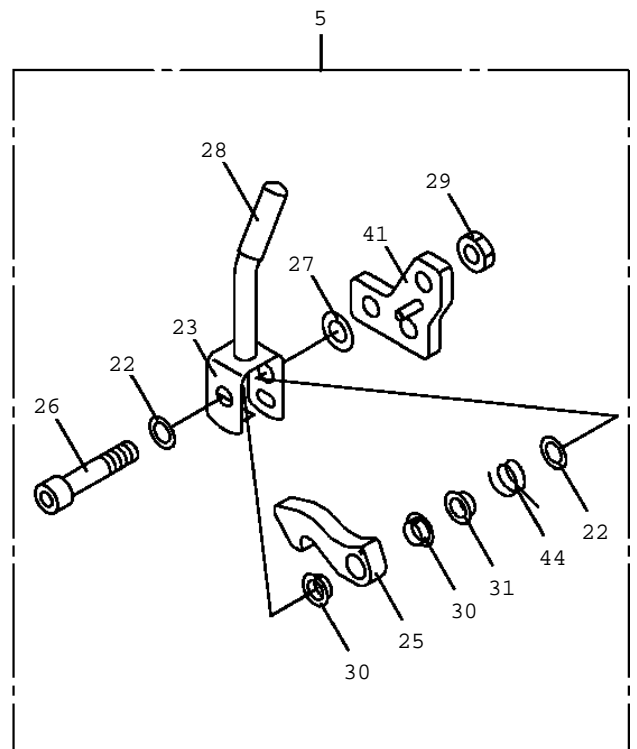
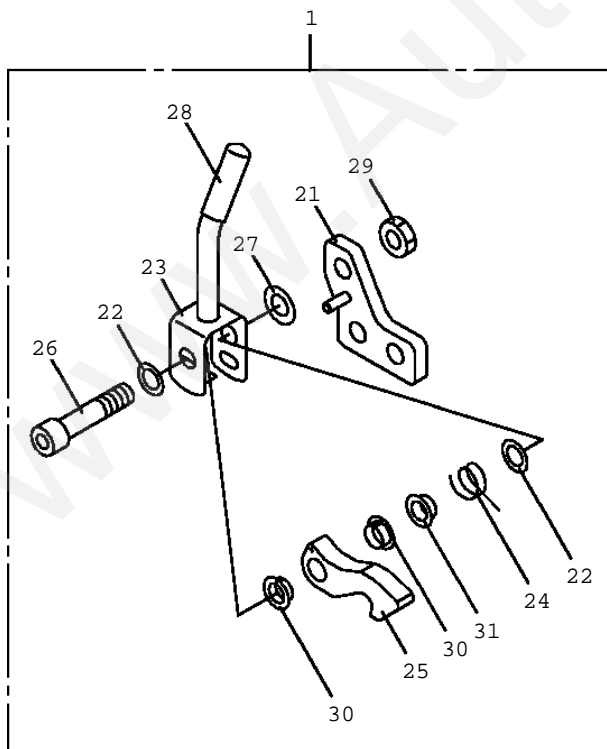
Pos No.	Parts No	Parts Name	Qty	Unit	Technical Data	Serial No (Start)
1	31950472000	LOCK ASSY	1			
3	90172110055	BOLT,HEXAGON SOCKET	2		M10X55	
4	90172110020	BOLT,HEXAGON SOCKET	4		M10X20	
5	31950332003	LOCK ASSY	1			
6	90303071001	WASHER,PLAIN	4		10	
7	90203201000	NUT	2		M10	
22	37000537270	PLATE	4			
23	31950491100	LEVER	1			
26	37001510080	BOLT,HEXAGON SOCKET	2			
27	90303071201	WASHER,PLAIN	2		12	
28	82400000527	CAP	2			
29	90203201200	NUT	2		M12	
51	31950300402	SUPPORT	1			
	31950300460	SUPPORT (STEEL CAST)	1			
53	31950300501	LEVER	1			
54	37001400341	SPRING	1			
55	31950300602	HOOK	2			
60	37000400510	BEARING,PLAIN	4			
61	80824001206	BEARING,PLAIN	2			
71	31950330702	SUPPORT	1			
	31950330720	SUPPORT (STEEL CAST)	1			
74	37001400351	SPRING	1			

www.AutoEPC.com

TM-ZE360 41002404034A FRAME/STANDARD, MANUAL VALVE (2.93T)
 PJ3410034-01 LOCK ASSY



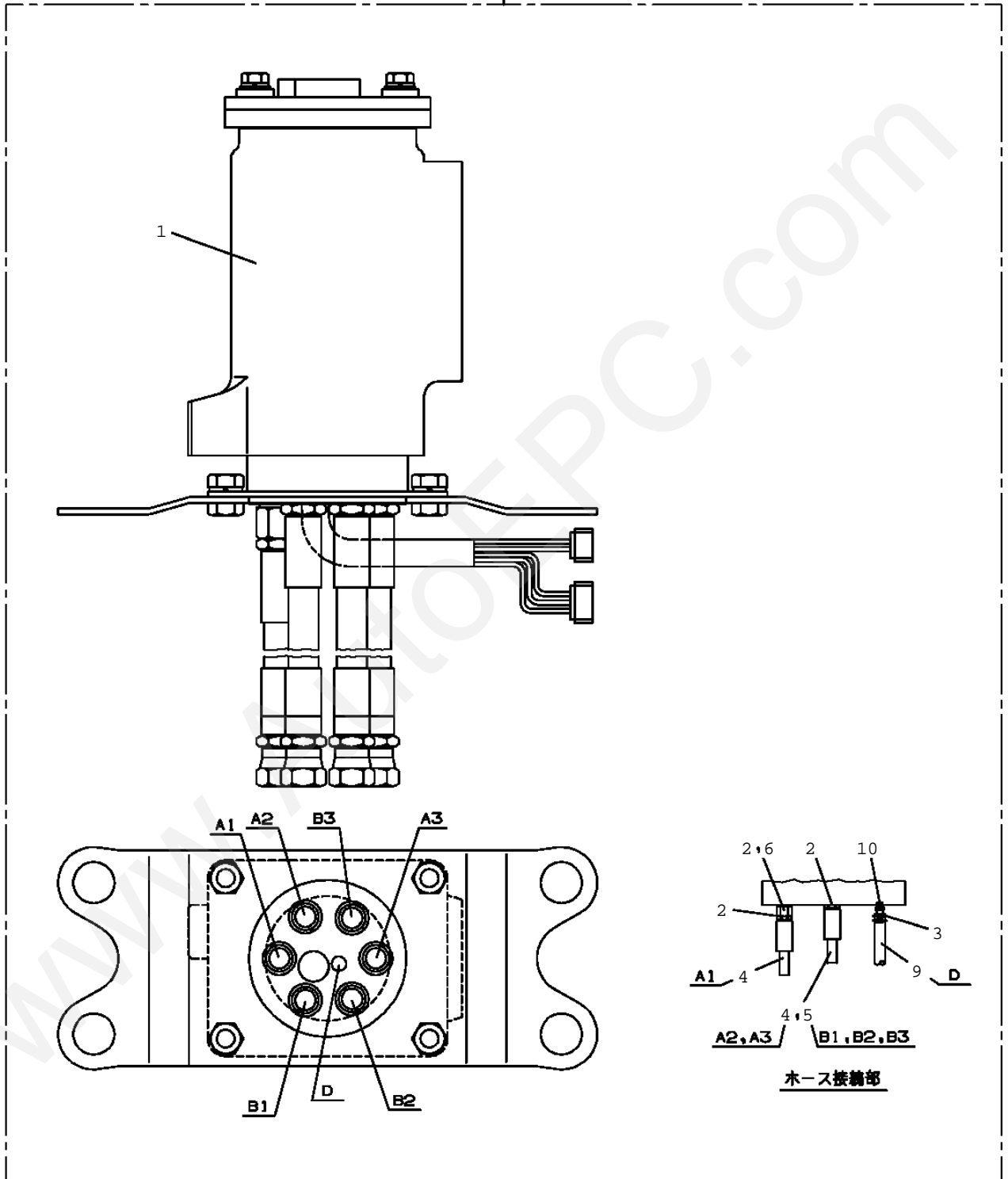
車両後端より見る



TM-ZE360 41002404034A FRAME/STANDARD,MANUAL VALVE(2.93T)

Pos No.	Parts No	Parts Name	Qty	Unit	Technical Data	Serial No (Start)
1	31950472000	LOCK ASSY	1			
2	90203201000	NUT	2		M10	
3	90172110055	BOLT,HEXAGON SOCKET	2		M10X55	
4	90172110020	BOLT,HEXAGON SOCKET	4		M10X20	
5	31950492000	LOCK ASSY	1			
6	90303071001	WASHER,PLAIN	4		10	
21	31950300460	SUPPORT (STEEL CAST)	1			
	31950300402	SUPPORT	1			
22	37000537270	PLATE	4			
23	31950491100	LEVER	2			
24	37001400341	SPRING	1			
25	31950300602	HOOK	2			
26	37001510080	BOLT,HEXAGON SOCKET	2			
27	90303071201	WASHER,PLAIN	2		12	
28	82400000527	CAP	2			
29	90203201200	NUT	2		M12	
30	37000400510	BEARING,PLAIN	4			
31	80824001206	BEARING,PLAIN	2			
41	31950330720	SUPPORT (STEEL CAST)	1			
	31950330702	SUPPORT	1			
44	37001400351	SPRING	1			

www.AutoEPC.com

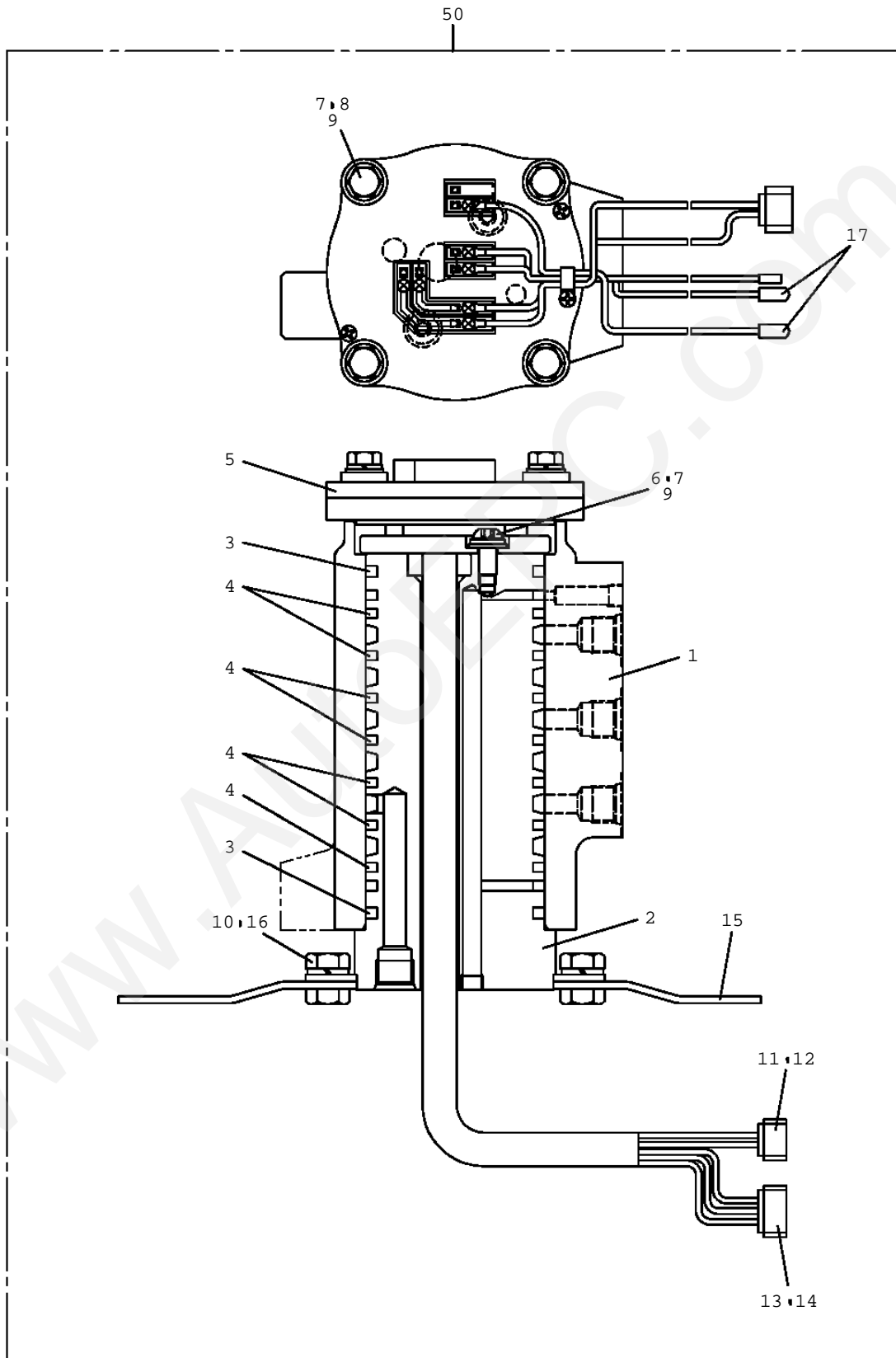


TM-ZE360 41002404034A FRAME/STANDARD, MANUAL VALVE(2.93T)

Pos No.	Parts No	Parts Name	Qty	Unit	Technical Data	Serial No (Start)	Se
1	31631951001	JOINT ASSY, SWIVEL	1				
2	91002801400	O-RING	7		1B P14		
3	91803600200	CLIP	1		D=13-20		
4	37002480810	HOSE	3		L=1000		
	37002439140	HOSE	3		L=1000		
5	37002487040	HOSE (MANULI)	3		L=960		
	37002458070	HOSE	3		L=960		
6	37000932150	JOINT	1				
9	37002511530	HOSE	1		L=650		
10	37000932500	JOINT	1				
50	31631960000	JOINT ASSY, SWIVEL	1				

www.AutoEPC.com

TM-ZE360 41002404034A FRAME/STANDARD, MANUAL VALVE (2.93T)
PJ5090029-00 JOINT ASSY, SWIVEL

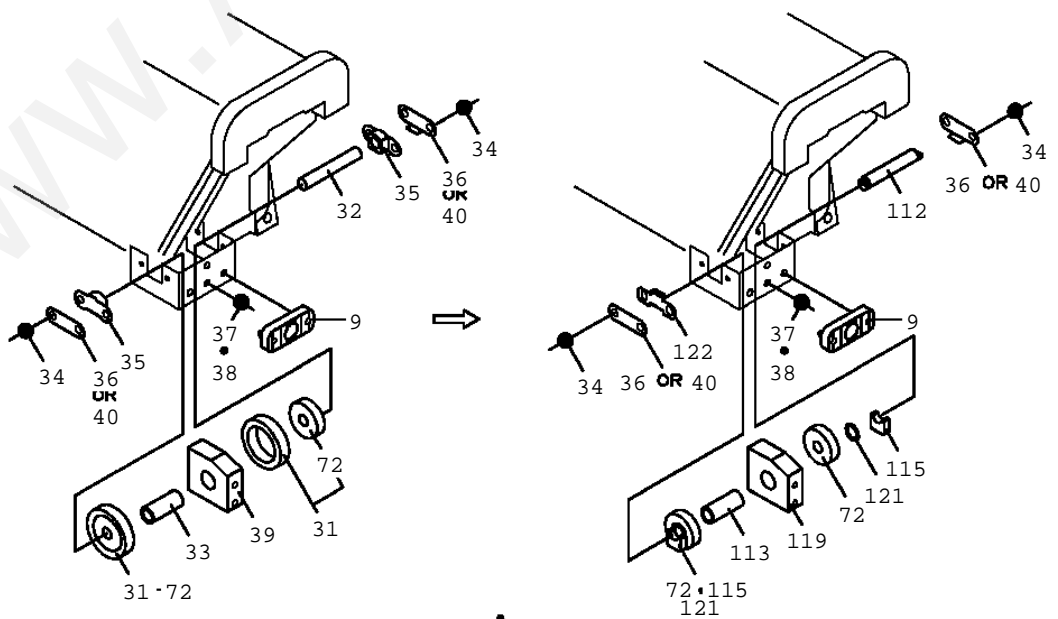
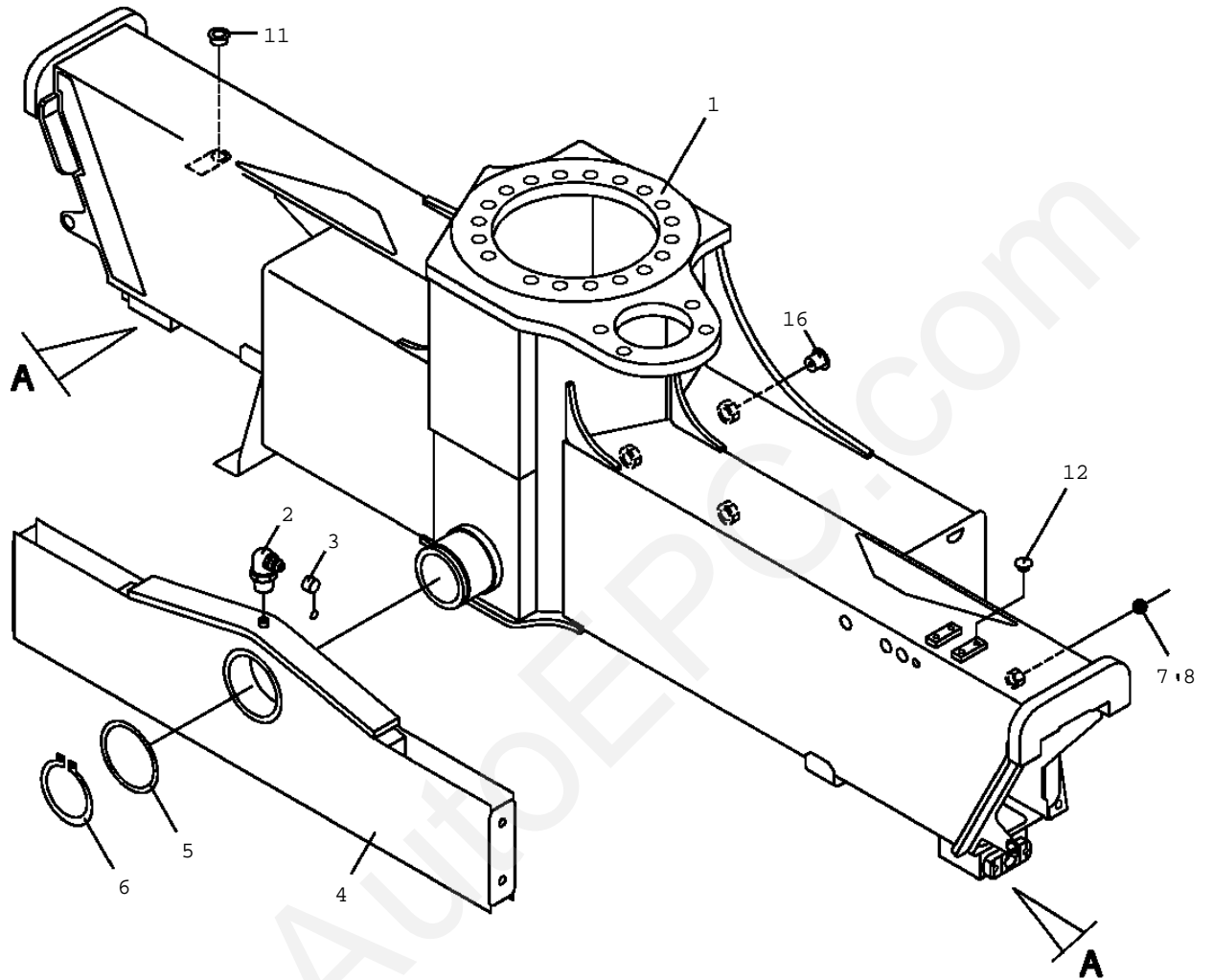


TM-ZE360 41002404034A FRAME/STANDARD,MANUAL VALVE(2.93T)

Pos No.	Parts No	Parts Name	Qty	Unit	Technical Data	Serial No (Start)	Se
1	31631121100	BODY	1				
2	31631781201	CORE	1				
3	91531208000	PACKING	2				
4	91100308000	RING,SEAL	7				
5	31631803000	RING ASSY,SLIP	1				
6	90180208016	BOLT,BUTTON	2		M8X16		
7	90302040801	WASHER,SPRING	6		8		
8	90102208035	BOLT	4		M8X35		
9	90303070801	WASHER,PLAIN	6		8		
10	90302041001	WASHER,SPRING	4		10		
11	82114203020	CONNECTOR (CAP)	1				
12	82121502020	PLATE	1				
13	82114203030	CONNECTOR (CAP)	1				
14	82121502030	PLATE	1				
15	31631121300	SUPPORT	1				
16	90171110016	BOLT	4		M10X16		
17	82100002855	CAP	2				
50	31631951001	JOINT ASSY,SWIVEL	1				

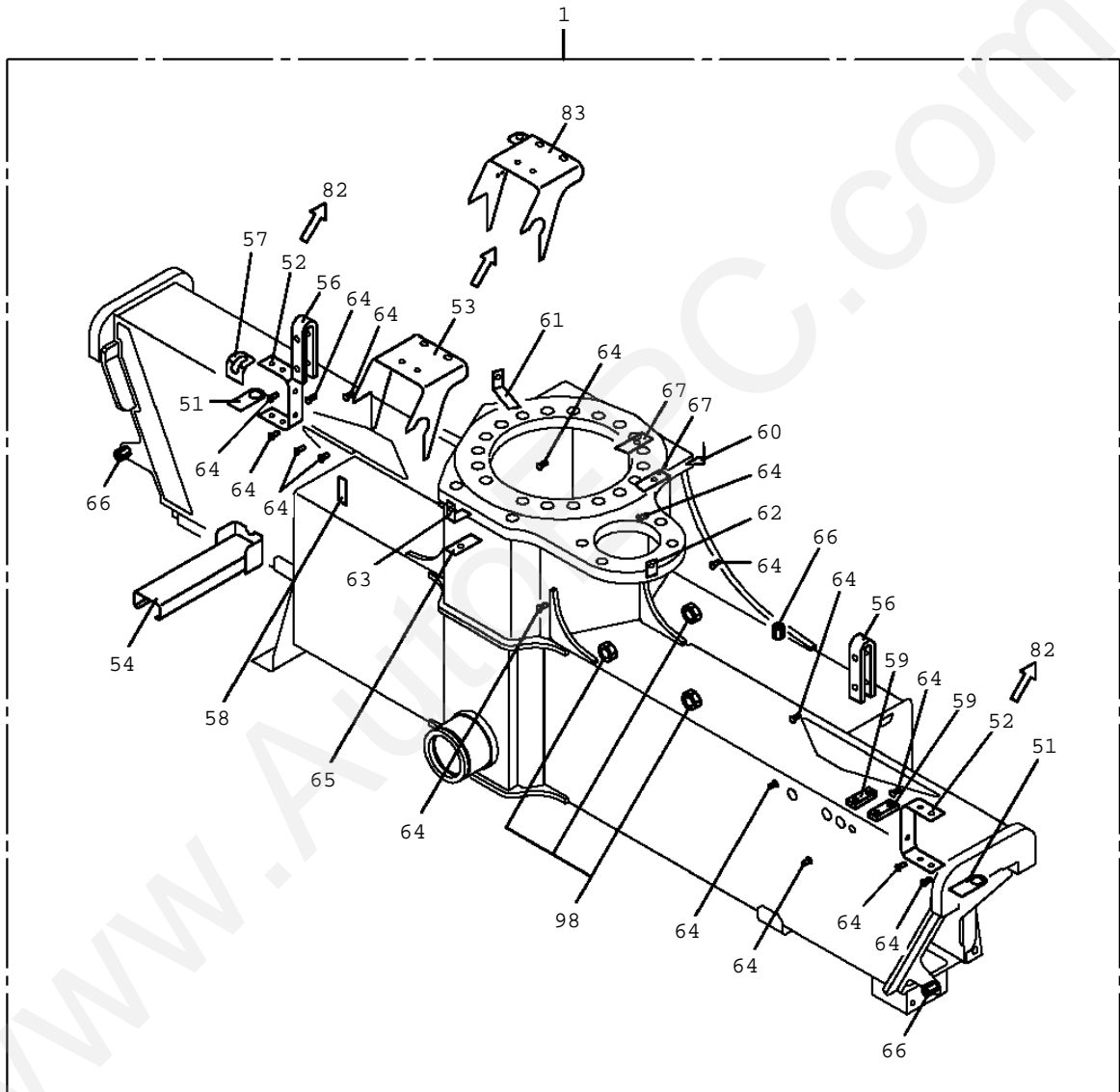
www.AutoEPC.com

TM-ZE360 41002404034A FRAME/STANDARD, MANUAL VALVE (2.93T)
 PK1011286-04 FRAME



ILLUSTRATED BREAKDOWN NO.1

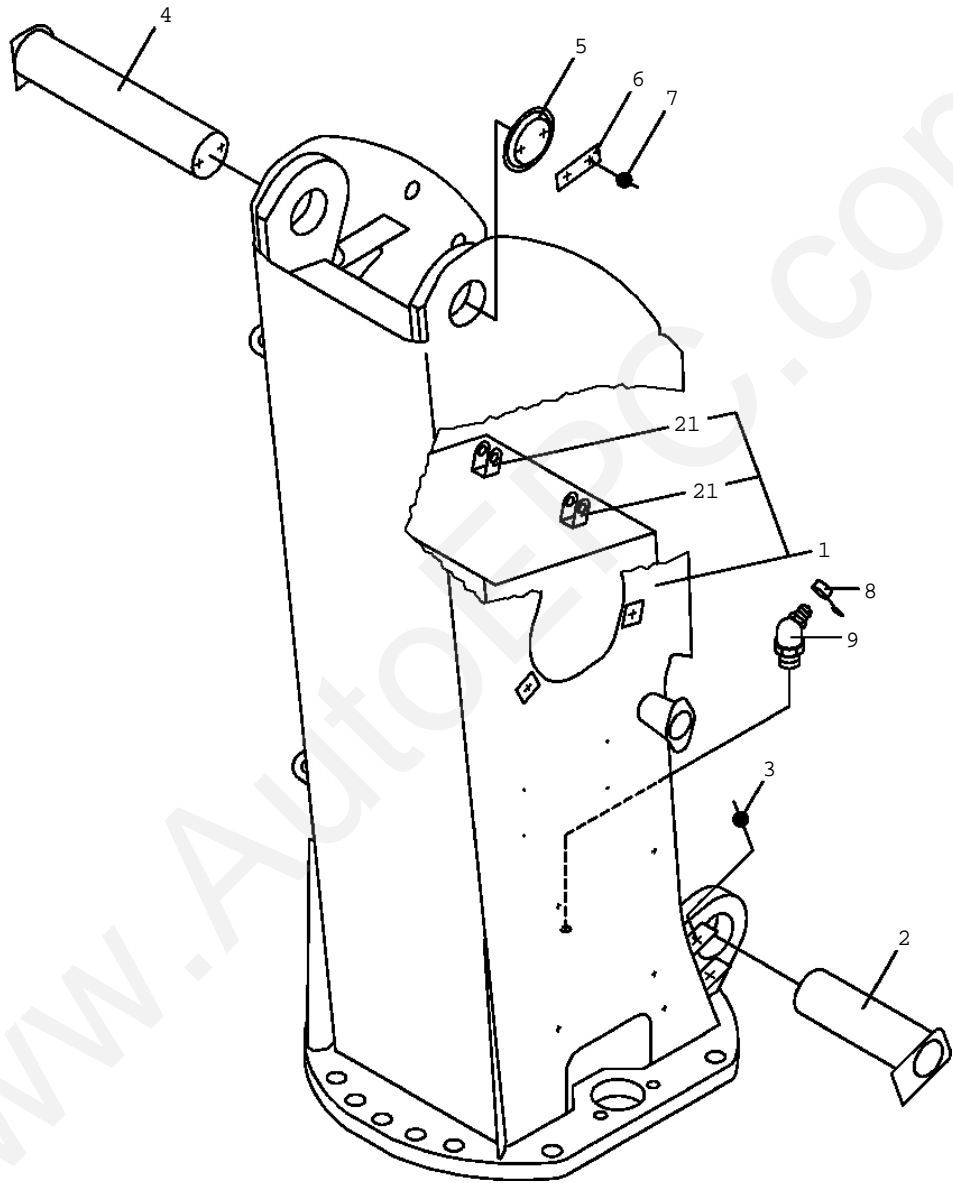
TM-ZE360 41002404034A FRAME/STANDARD, MANUAL VALVE (2.93T)
PK1011286-04 FRAME



TM-ZE360 41002404034A FRAME/STANDARD,MANUAL VALVE(2.93T)

Pos No.	Parts No	Parts Name	Qty	Unit	Technical Data	Serial No (Star
1	31624760105	FRAME ASSY	1			
2	82459103000	NIPPLE,GREASE	1		C-PT1/8	
3	82400000459	CAP	1			
4	31623080200	FRAME	1			
5	37000520580	PLATE	1			
6	80601110950	RING,RITAINING	1		S95	
7	90203201600	NUT	2		M16	
8	90101216045	BOLT	2		M16X45	
9	31624750200	INSULATOR	2			
11	82400000526	LEVEL	2			
12	82401800080	PLUG (FOR M8)	4			
16	82401800100	PLUG (FOR M10)	3			
34	90186208010	BOLT,FLANGE	8		M8X10	
36	31621962200	PLATE	4		T=0.5	
37	90303100801	WASHER,PLAIN	4		8	
38	90172108020	BOLT,HEXAGON SOCKET	4		M8X20	
40	31624750500	PLATE	8		T=1	
51	31624812300	SUPPORT	2			
54	31624762100	SUPPORT	1			
56	31621964100	SUPPORT	2			
57	31622094100	SUPPORT	1			
58	31622204200	SUPPORT	1			
59	37000548070	PLATE	2			
60	31624752400	SUPPORT	1			
61	31624752460	SUPPORT	1			
62	31620580250	PLATE	1			
63	31624752470	SUPPORT	1			
64	90190000008	BOLT,STUD	16		M6X20	
65	37000572550	PLATE	1			
66	90288110020	NUT	3		M10	
67	37000587800	PLATE	2			
72	31620582020	BEARING,BALL (KOYO)	4			
82	31625002100	SUPPORT	2			
83	31625002200	SUPPORT	1			
98	90288110030	NUT	3		M10	
112	37010101130	PIN	2			
113	37000315450	SPACER	2		L=47	
115	31624750390	SUPPORT	4			
119	31624750430	STOPPER (STEEL CAST)	2			
	31624750420	STOPPER (CUTTING PARTS)	2			
121	37000538730	PLATE	4			
122	31624760370	PLATE	2			

TM-ZE360 41002404034A FRAME/STANDARD, MANUAL VALVE (2.93T)
PK1100466-01 SWING FRAME

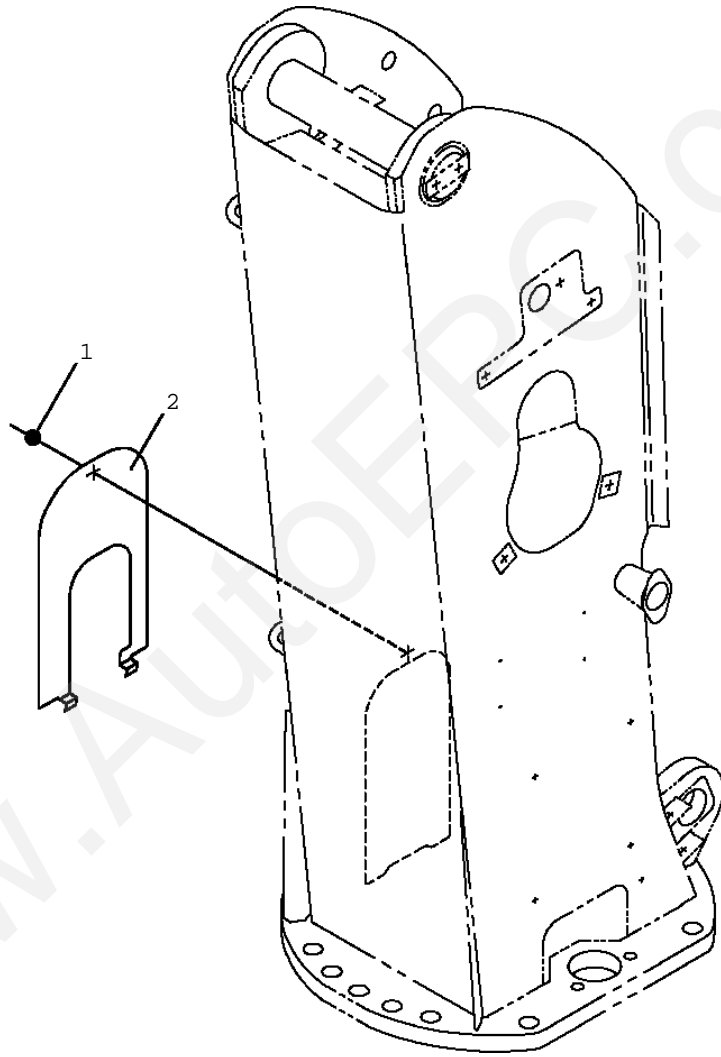


TM-ZE360 41002404034A FRAME/STANDARD, MANUAL VALVE(2.93T)

Pos No.	Parts No	Parts Name	Qty	Unit	Technical Data	Serial No (Start)	Seri
1	31231579510	POST	1				
2	37000202780	PIN (WELDING)	1				
	37000205240	PIN (MACHINING)	1				
3	80136363080	PIN,SPLIT	1		6.3X80		
4	37000202270	PIN (WELDING)	1				
	37000205260	PIN (MACHINING)	1				
5	31230412000	COVER	1				
6	37000527860	PLATE	1				
7	90101210016	BOLT	2		M10X16		
8	82400000459	CAP	1				
9	82458102000	NIPPLE,GREASE	1		B-PT1/8		
21	31230580220	SUPPORT	2				

www.AutoEPC.com

TM-ZE360 41002404034A FRAME/STANDARD, MANUAL VALVE (2.93T)
PK1330374-00 COVER (POST)

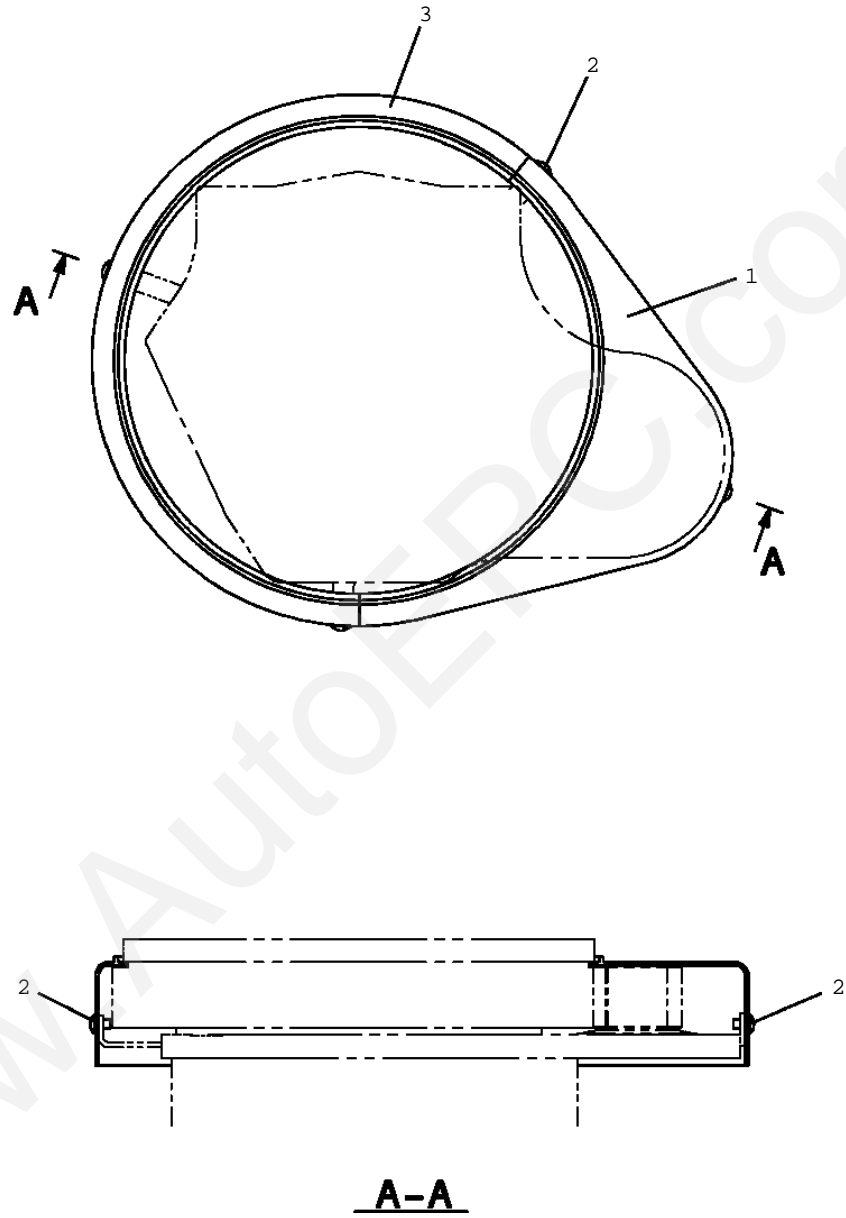


TM-ZE360 41002404034A FRAME/STANDARD,MANUAL VALVE(2.93T)

Pos No.	Parts No	Parts Name	Qty	Unit	Technical Data	Serial No (Start)	Serial N
1	90186208014	BOLT,FLANGE	1		M8X14		
2	31270641100	COVER	1				

www.AutoEPC.com

TM-ZE360 41002404034A FRAME/STANDARD, MANUAL VALVE (2.93T)
PK1330375-00 COVER (SWING)

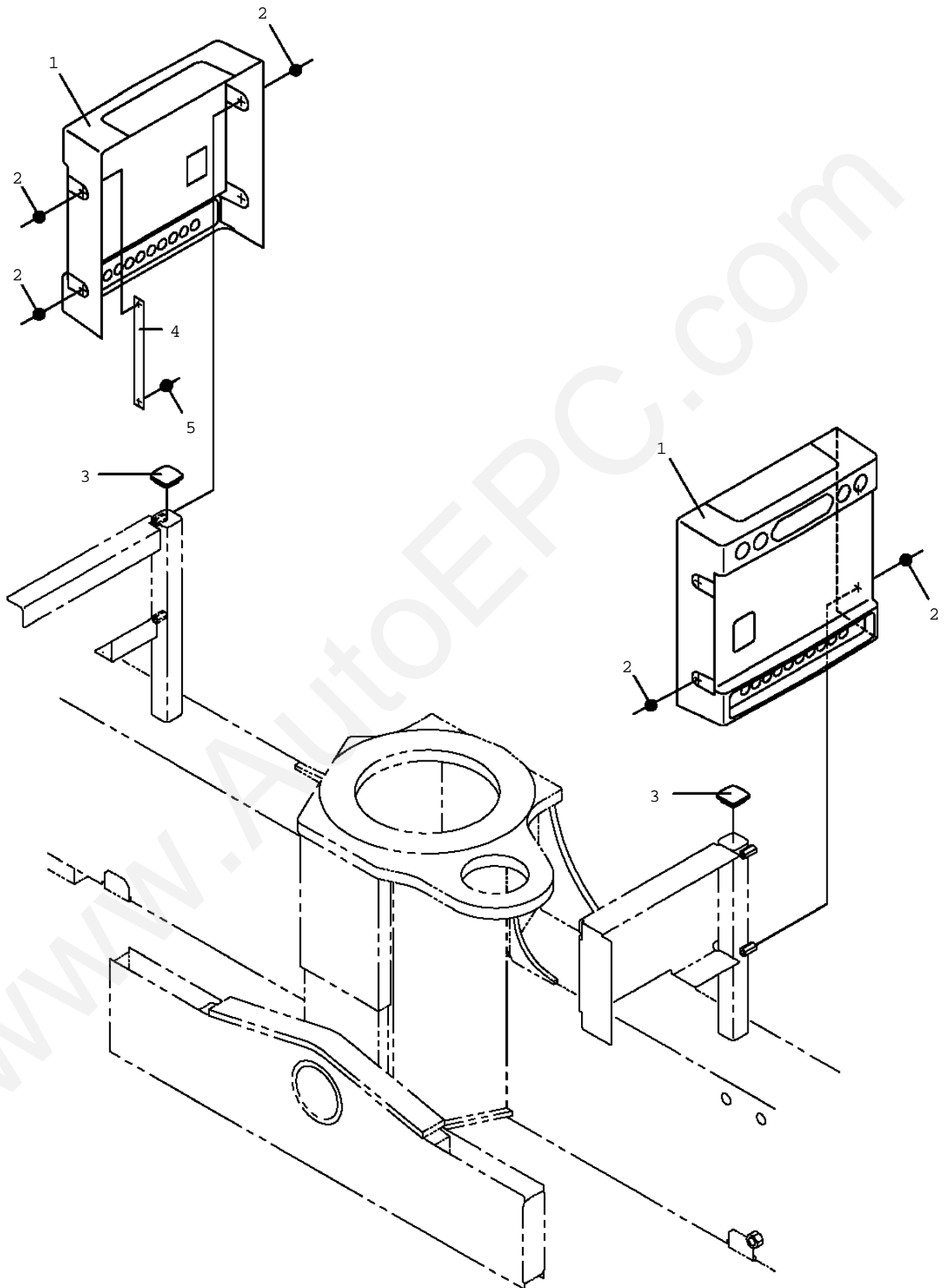


TM-ZE360 41002404034A FRAME/STANDARD,MANUAL VALVE(2.93T)

Pos No.	Parts No	Parts Name	Qty	Unit	Technical Data	Serial No (Start)	Serial
1	31270642100	COVER (BLACK)	1				
2	90186208014	BOLT,FLANGE	4		M8X14		
3	31270642200	COVER (BLACK)	1				

www.AutoEPC.com

TM-ZE360 41002404034A FRAME/STANDARD, MANUAL VALVE(2.93T)
PK1330382-01 COVER (SWITCH PANEL)

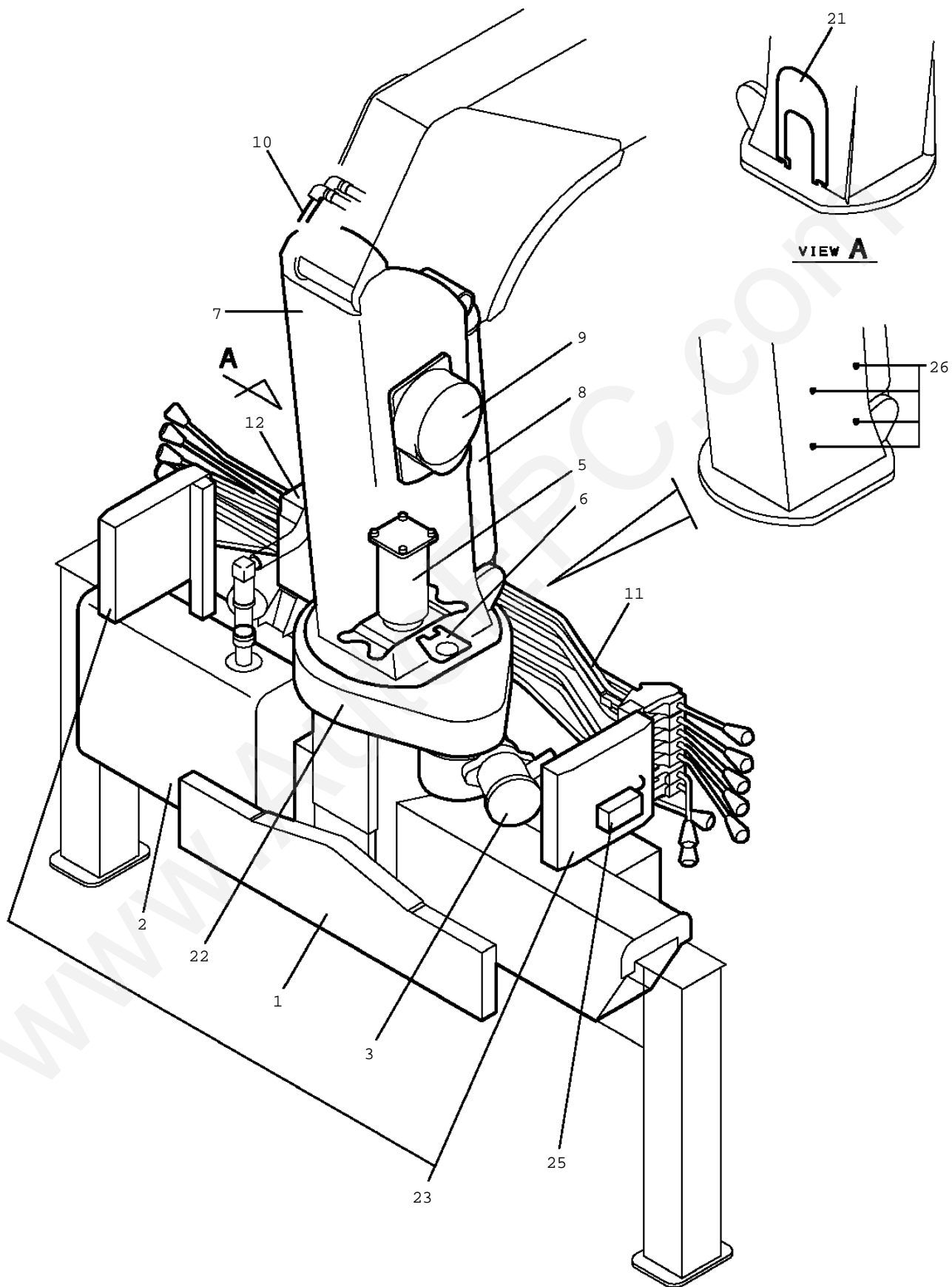


TM-ZE360 41002404034A FRAME/STANDARD, MANUAL VALVE(2.93T)

Pos No.	Parts No	Parts Name	Qty	Unit	Technical Data	Serial No (Start)	Serial N
1	31270643200	COVER	2				
2	90186208014	BOLT, FLANGE	8		M8X14		
3	31270212000	CAP	2				
4	31270643300	PLATE	1				
5	90280200800	NUT, FLANGE	1		M8		

www.AutoEPC.com

TM-ZE360 41002404034A FRAME/STANDARD, MANUAL VALVE (2.93T)
PK2001034-00 FRAME UNIT (1)

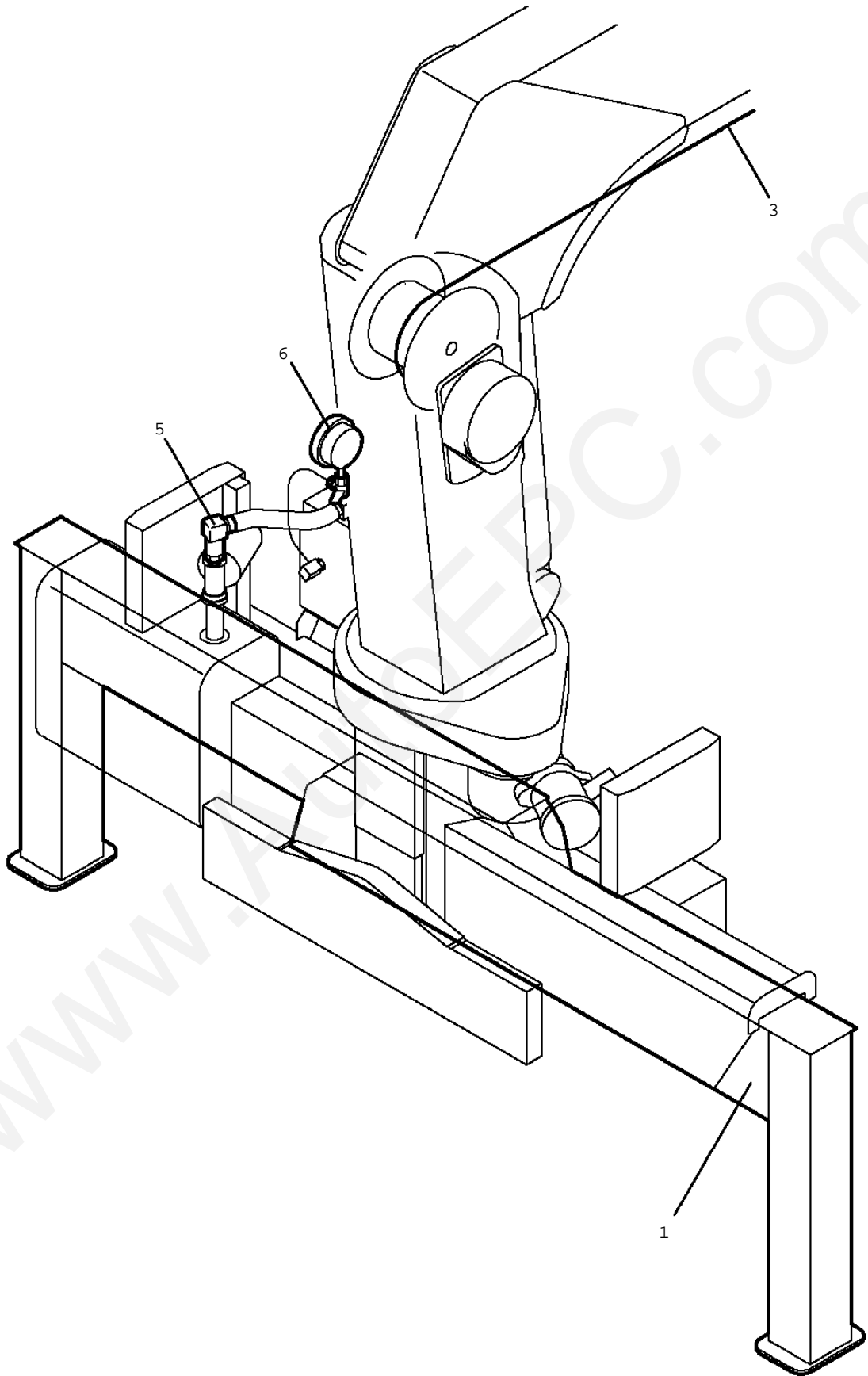


TM-ZE360 41002404034A FRAME/STANDARD,MANUAL VALVE(2.93T)

Pos No.	Parts No	Parts Name	Qty	Unit	Technical Data
1	(*****)	FRAME	1		
2	(*****)	TANK,OIL (MOUNT)	1		
3	(*****)	SWING UNIT	1		
5	3163196000	JOINT ASSY,SWIVEL	1		
6	(*****)	STOPPER,ROTARY JOINT	1		
7	(*****)	SWING FRAME	1		
8	3124137002	DERRICK ASSY	1		
9	(*****)	MOUNT,WINCH	1		
10	(*****)	PIPING,UPPER	1		
11	(*****)	OPE.ASSY,CONT.VALVE	1		
12	(*****)	PIPING,LOWER	1		
21	(*****)	COVER (POST)	1		
22	(*****)	COVER (SWING)	1		
23	(*****)	COVER (SWITCH PANEL)	1		
25	(*****)	ELEC.ASSY (PANEL SWITCH)	1		
26	(*****)	ELEC.ASSY (PLUG:POST/WITHOUT SAFETY)	1		

www.AutoEPC.com

TM-ZE360 41002404034A FRAME/STANDARD, MANUAL VALVE (2.93T)
PK2001035-00 FRAME UNIT (2)

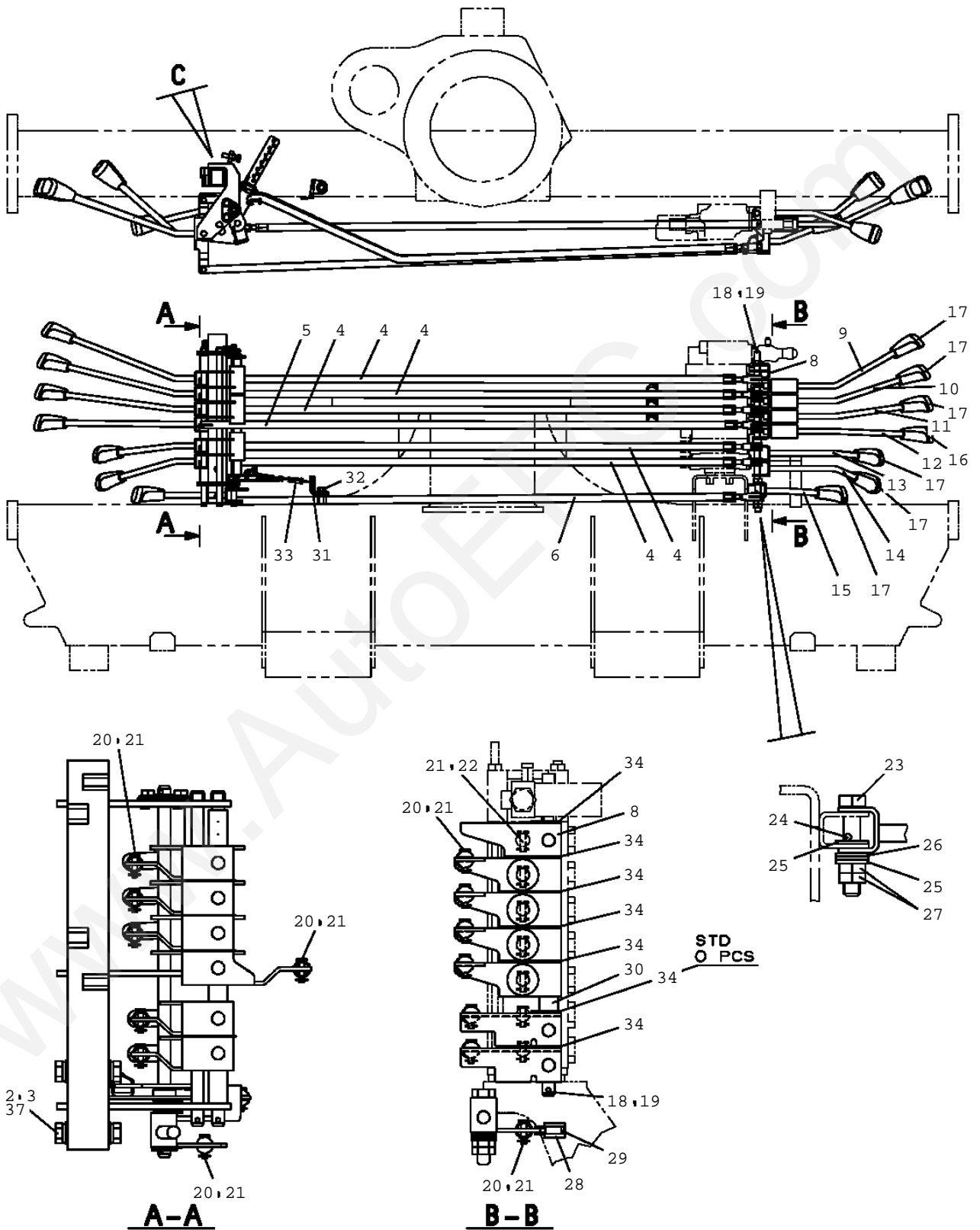


TM-ZE360 41002404034A FRAME/STANDARD,MANUAL VALVE(2.93T)

Pos No.	Parts No	Parts Name	Qty	Unit	Technical Data
1	(*****)	OUTRIGGER (FOR 5.5TON BASE 7TON)	1		
	(*****)	OUTRIGGER (FOR 4TON)	1		
	(*****)	OUTRIGGER (FOR 6-7TON)	1		
3	37001804860	ROPE,WIRE (KISWIRE)	1		
5	(*****)	PIPING,LOWER (JOINT FOR RETURN FILTER)	1		
6	36683850000	METER,LOAD (2.9TON ENGLISH/NAGANO)	1		

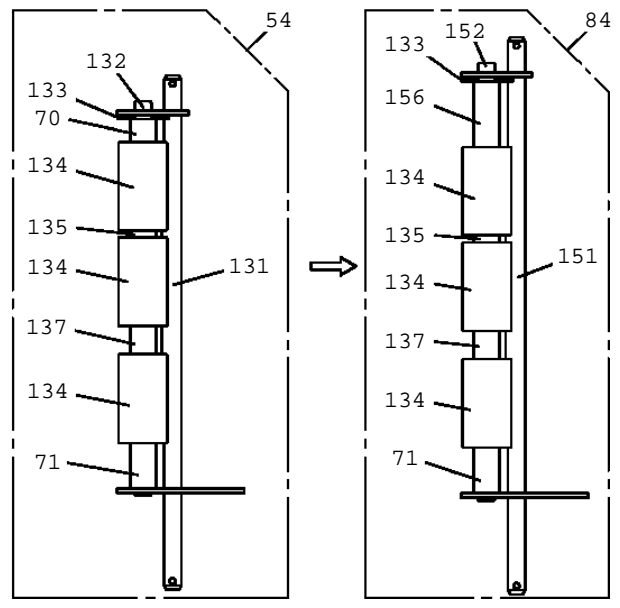
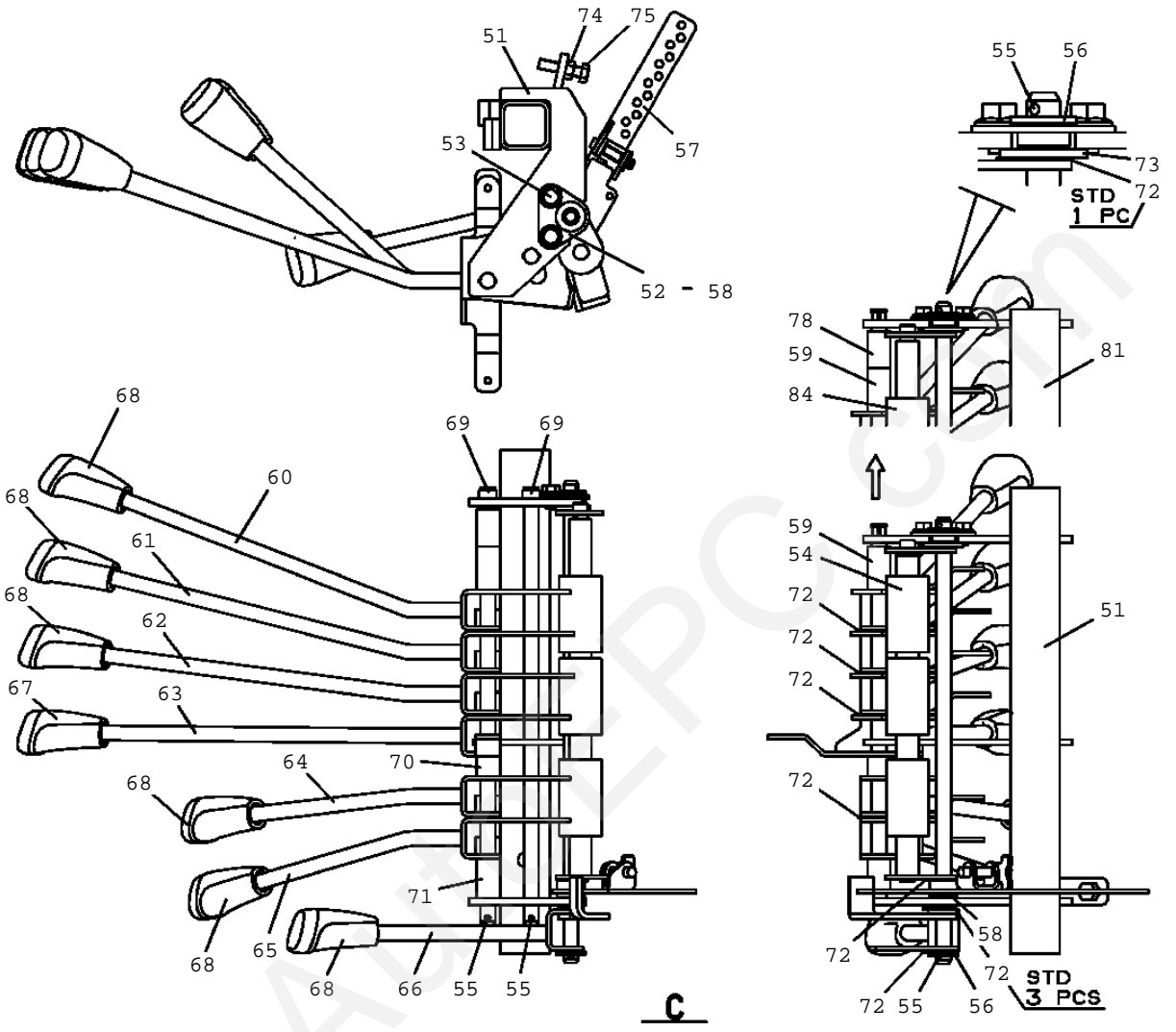
www.AutoEPC.com

TM-ZE360 41002404034A FRAME/STANDARD, MANUAL VALVE (2.93T)
 PL1011226-01 OPE.ASSY, CONT.VALVE

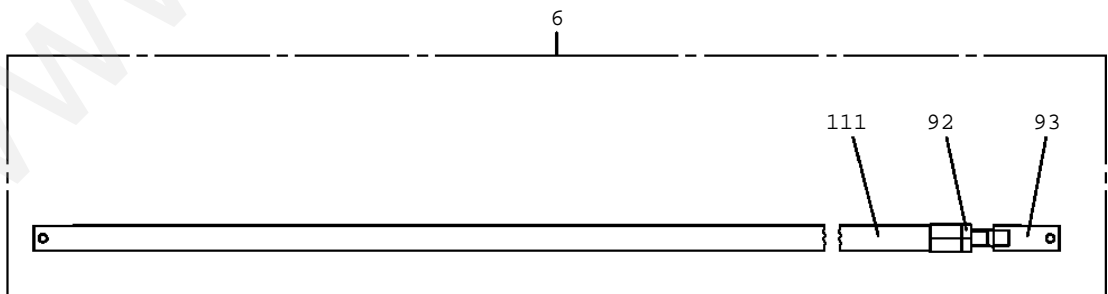
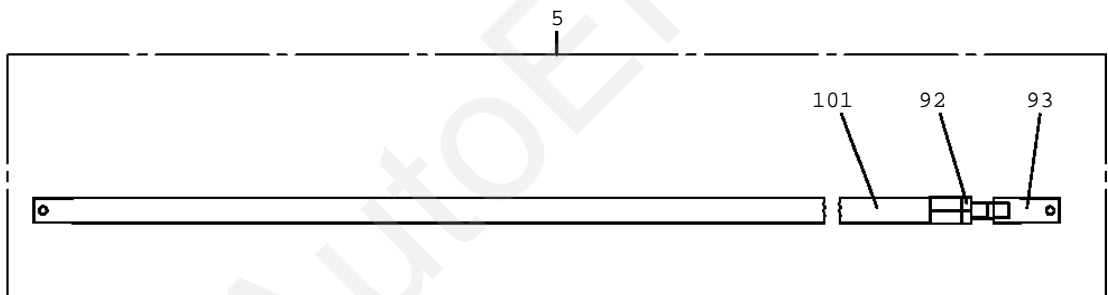
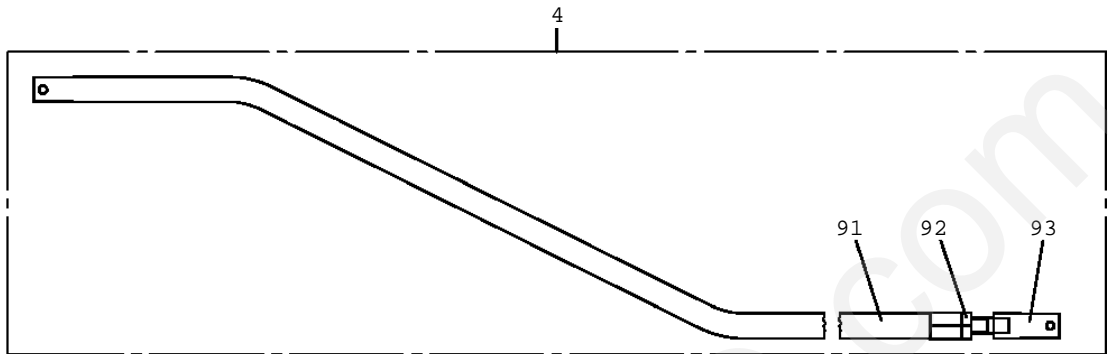


展開図有
 ILLUSTRATED BREAKDOWN NO. 4, 5, 6

TM-ZE360 41002404034A FRAME/STANDARD, MANUAL VALVE (2.93T)
 PL1011226-01 OPE.ASSY,CONT.VALVE

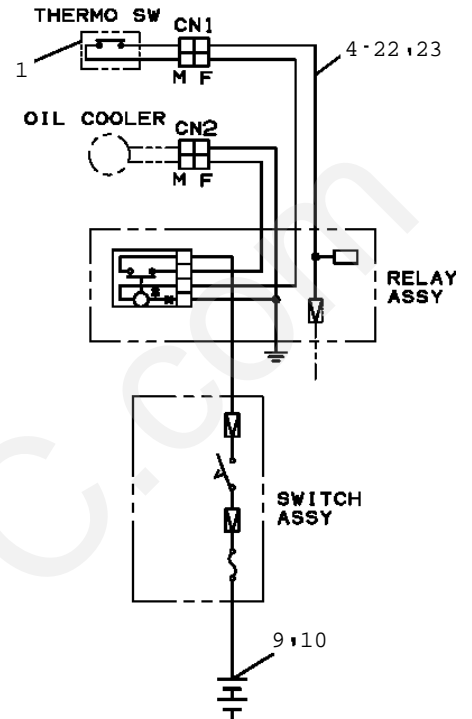
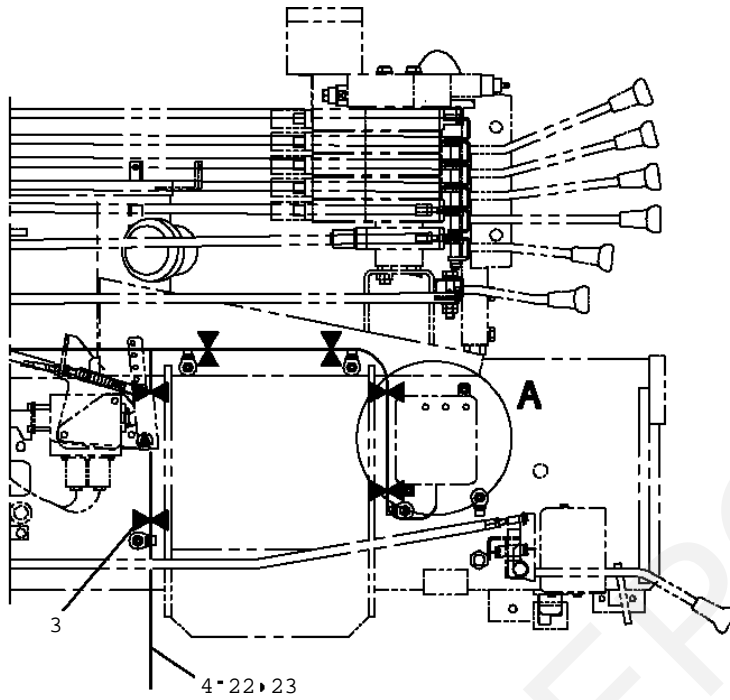


TM-ZE360 41002404034A FRAME/STANDARD,MANUAL VALVE(2.93T)
PL1011226-01 OPE.ASSY,CONT.VALVE

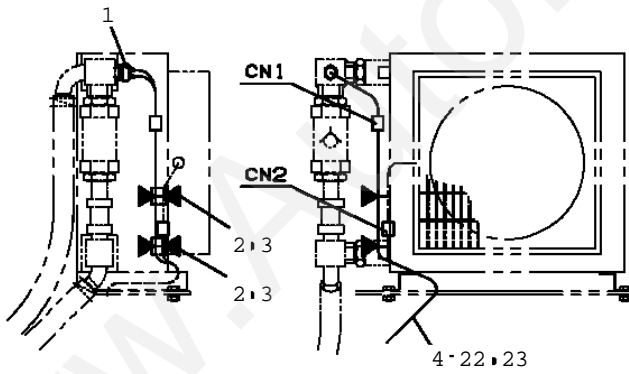


TM-ZE360 41002404034A FRAME/STANDARD,MANUAL VALVE(2.93T)

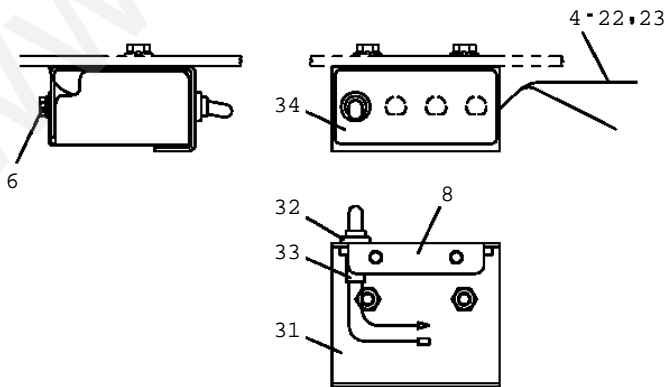
Pos No.	Parts No	Parts Name	Qty	Unit	Technical Data	Serial No (Start)
2	90303071001	WASHER,PLAIN	4		10	
3	90171110018	BOLT	4		M10X18	
4	31324984100	ROD ASSY	5			
5	31324984300	ROD ASSY	1			
6	31324984501	ROD ASSY	1			
8	31325043100	FORK	1			
9	31325073200	LEVER	1			
10	31325073300	LEVER	1			
11	31325073400	LEVER	1			
12	31325073500	LEVER	1			
13	31324983600	LEVER	1			
14	31324983700	LEVER	1			
15	31324983800	LEVER	1			
16	31324860701	KNOB (RED)	1			
17	31324860801	KNOB (BLACK)	6			
18	37010100110	PIN	1			
19	80136840020	PIN,SPLIT	1		4X20	
20	37000105040	PIN	14			
21	80650100030	RING,RETAINING	21			
22	37000105050	PIN	7			
23	31322050600	BOLT	1			
24	80136850025	PIN,SPLIT	1			
25	90303071201	WASHER,PLAIN	2		12	
26	90309331205	WASHER,CONICAL SPRING	2		L12	
27	90203201200	NUT	2		M12	
28	12434402040	SPRING	1			
29	80172305008	SCREW,MACHINE	2		M5X8	
30	37000311190	SPACER	1		L=16	
31	31325074800	SUPPORT	1			
32	90186210014	BOLT,FLANGE	1		M10X14	
33	37001300530	SPRING	1			
34	31322224200	PLATE	8		L=1	
37	90302041001	WASHER,SPRING	4		10	
52	31322031150	SUPPORT	1			
53	90186208010	BOLT,FLANGE	2		M8X10	
55	80136840020	PIN,SPLIT	4		4X20	
56	90303071201	WASHER,PLAIN	2		12	
57	31324981501	SUPPORT	1			
58	80824001206	BEARING,PLAIN	2			
59	37000311520	SPACER	1		L=35	
60	31325072200	LEVER	1			
61	31325072300	LEVER	1			
62	31325072400	LEVER	1			
63	31325072500	LEVER	1			
64	31325072600	LEVER	1			
65	31325072700	LEVER	1			
66	31324982800	LEVER	1			
67	31324860701	KNOB (RED)	1			
68	31324860801	KNOB (BLACK)	6			
69	37010100080	PIN	2			
70	37000311190	SPACER	1		L=16	
71	37000314260	SPACER	2		L=32	
72	31322224200	PLATE	N		L=1	
73	37000517380	PLATE	1			
74	90201200800	NUT	1		M8	
75	90102208035	BOLT	1		M8X35	
78	37000311510	SPACER	1		L=30	
81	31324981103	SUPPORT	1			
84	31324981202	LINK	1			
91	31324984200	ROD	5			
92	90203501000	NUT	7		M10	
93	31324984900	END	7			
101	31324984400	ROD	1			
111	31324984601	ROD	1			
133	80620210120	PIN,SNAP	1			
134	31323141350	ROLLER	3			
135	37000311460	SPACER	1		L=5	
137	37000311490	SPACER	1		L=20	
151	31324981302	LINK	1		L=46	
152	37010100100	PIN	1			
156	37000315430	SPACER	1		L=46	



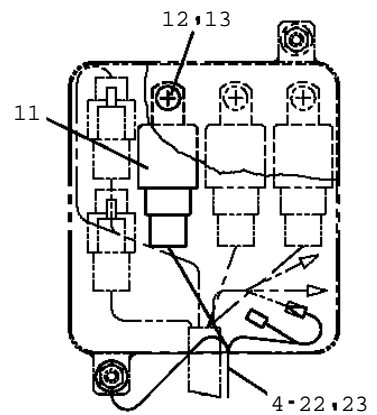
WIRING



OIL COOLER



SWITCH ASSY



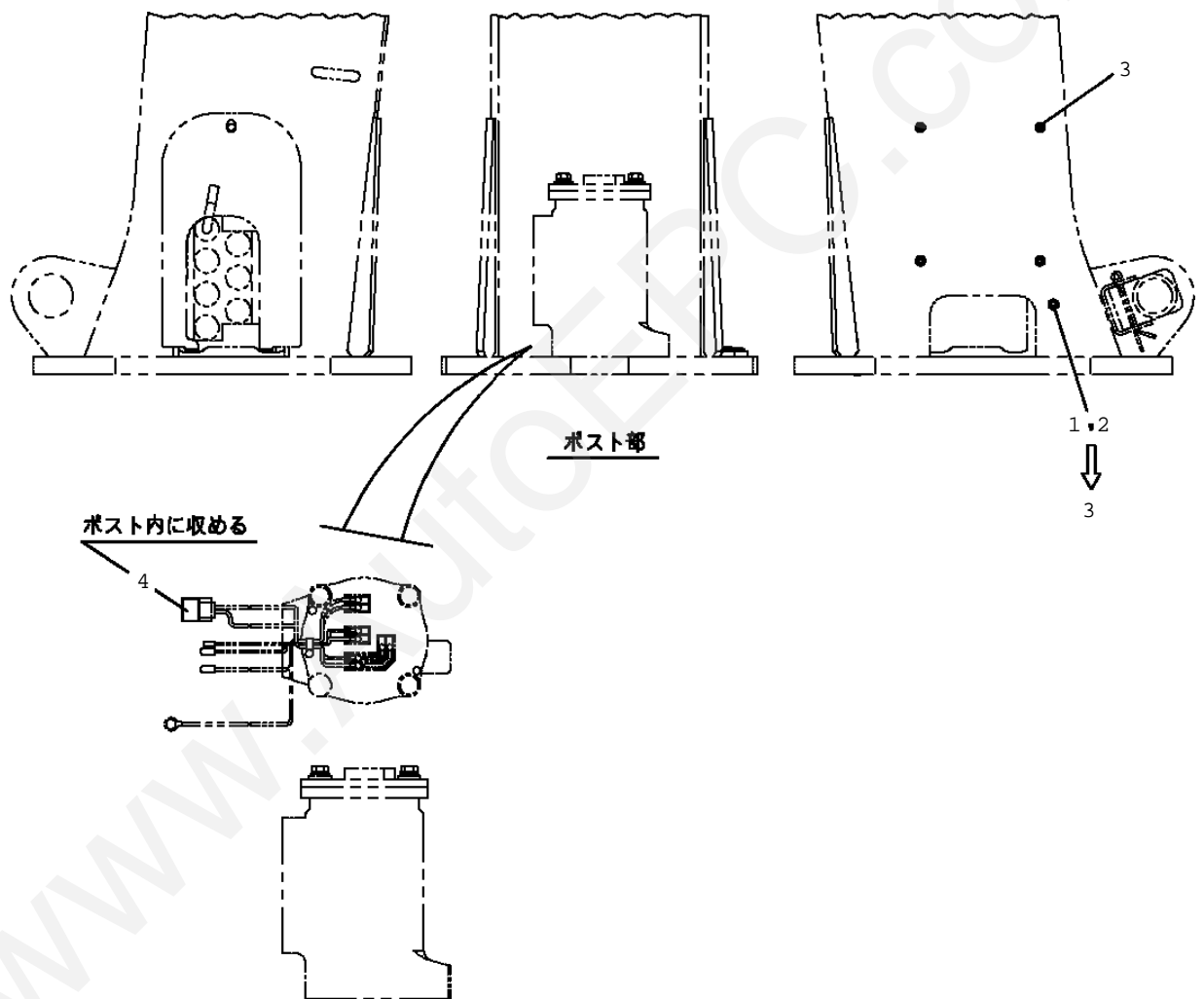
A

TM-ZE360 41002404034A FRAME/STANDARD,MANUAL VALVE(2.93T)

Pos No.	Parts No	Parts Name	Qty	Unit	Technical Data	Serial N
1	82109902050	SWITCH, THERMO	1			
2	91850310405	CLAMP (BLACK)	6			
3	91810130240	FASTENER	15			
4	31501162100	HARNES	1			
6	90186206010	BOLT, FLANGE	2		M6X10	
8	31653241300	COVER	1			
9	82100001400	TERMINAL	1			
10	82100001220	INSULATOR	1			
11	82100002596	RELAY	1			
12	90280200600	NUT, FLANGE	1		M6	
13	80192486012	SCREW, MACHINE	1		M6X12	
22	82100000745	FUSE	1		10A, 6.5X30	
23	82100002832	HOLDER, FUSE	1			
31	31653243100	SUPPORT	1			
32	82197518119	CAP (PLUS ONE MFG./BLACK)	1			
	82197518114	CAP (MATSUSHITA/BLACK)	1			
33	31477311200	SWITCH ASSY (PLATING:NACC)	1			
34	31501162210	PLATE, NAME (OIL COOLER ON/OFF)	1			

www.AutoEPC.com

TM-ZE360 41002404034A FRAME/STANDARD, MANUAL VALVE (2.93T)
PN1014580-01 ELEC.ASSY (PLUG:POST/WITHOUT SAFETY)

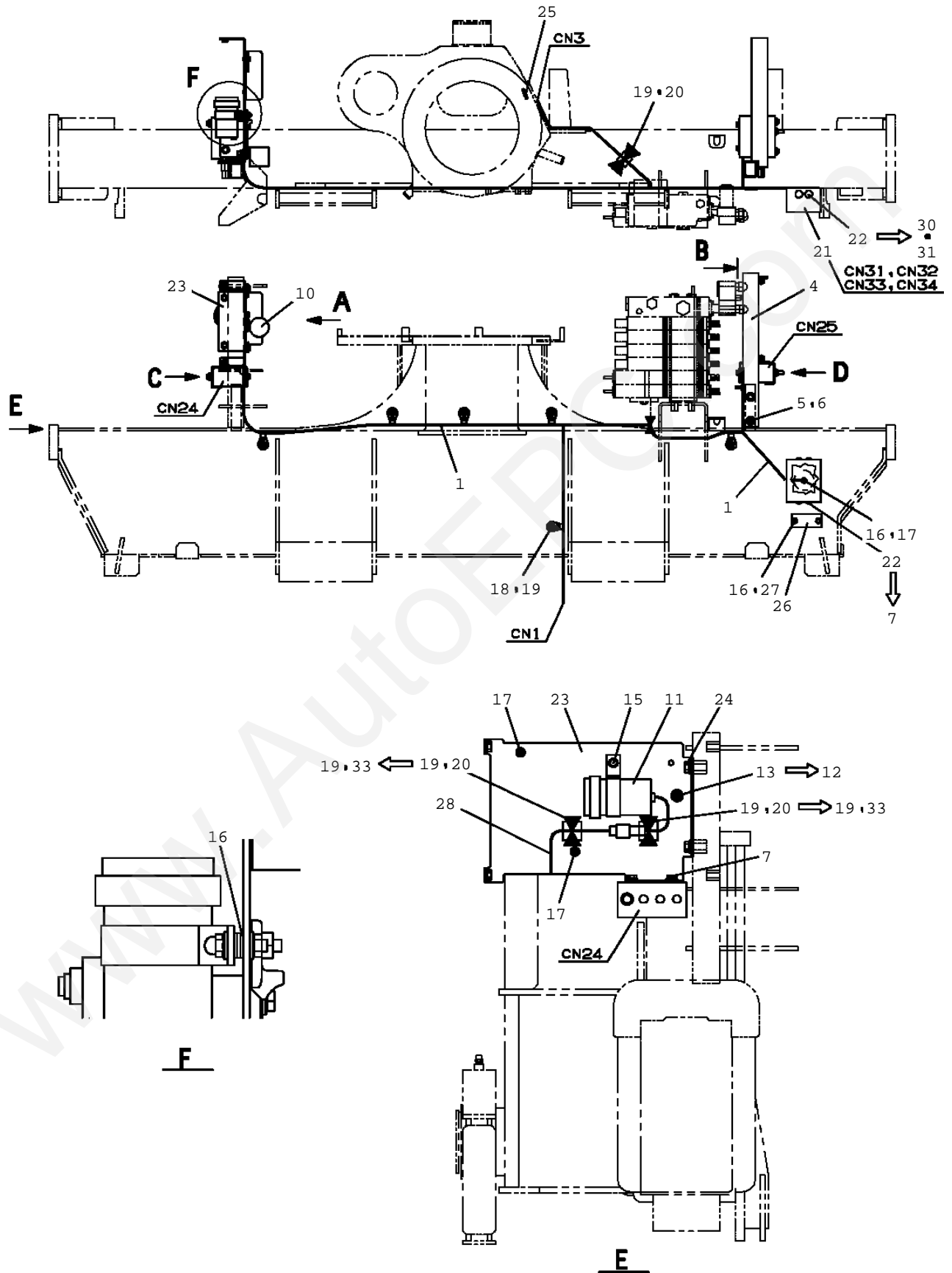


TM-ZE360 41002404034A FRAME/STANDARD,MANUAL VALVE(2.93T)

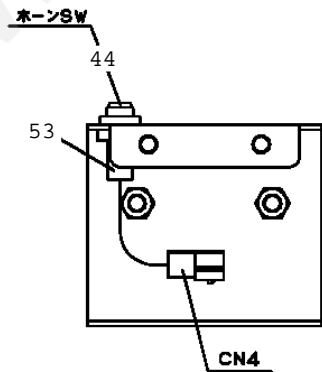
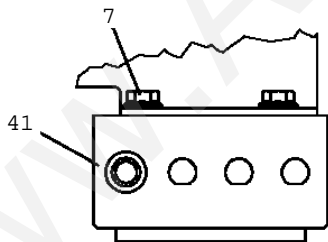
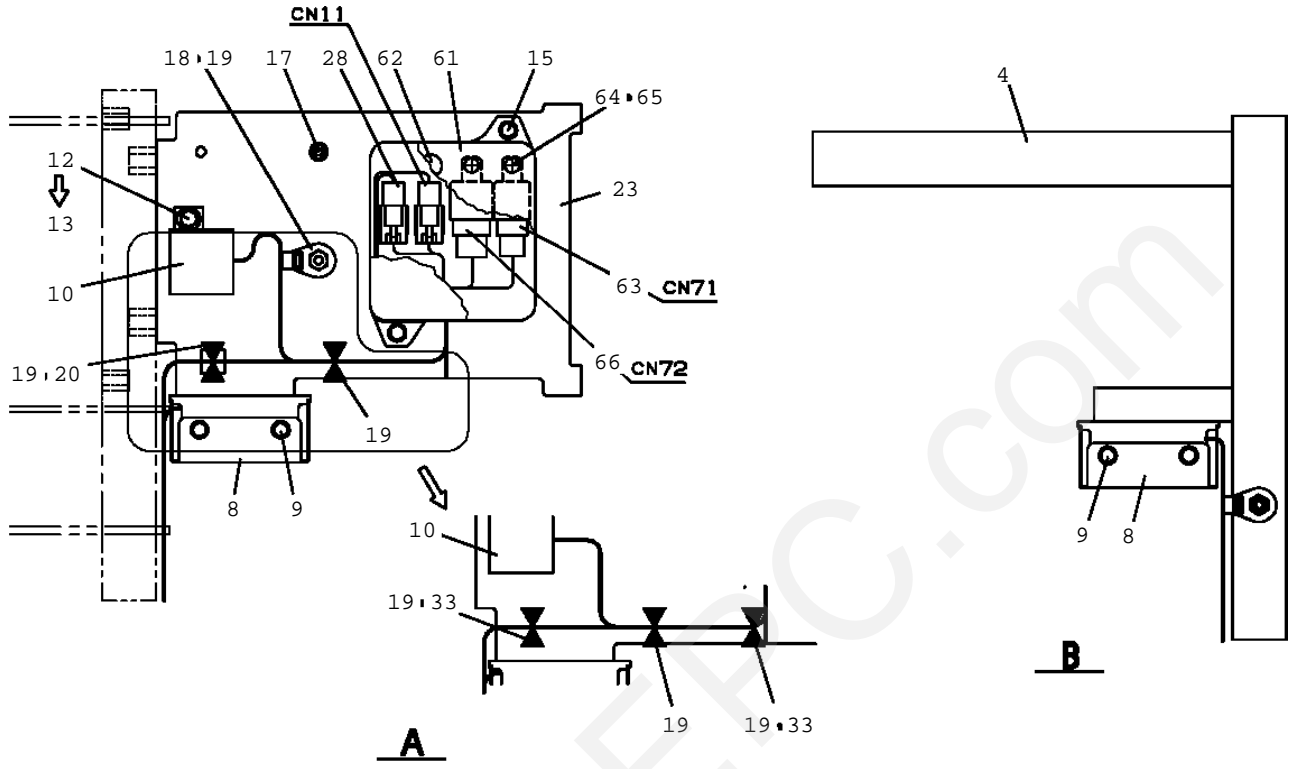
Pos No.	Parts No	Parts Name	Qty	Unit	Technical Data	Serial No (Start)	S
3	82401800060	PLUG (FOR M6)	5				
4	31474661600	PLUG (2-POES,MALE)	1				

www.AutoEPC.com

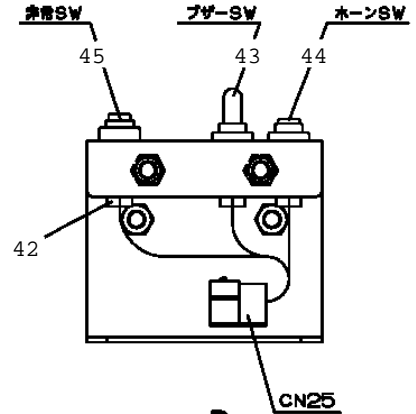
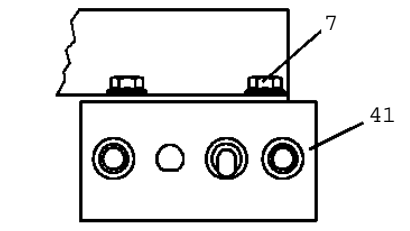
TM-ZE360 41002404034A FRAME/STANDARD, MANUAL VALVE (2.93T)
 PN1014768-03 ELEC.ASSY (PANEL SWITCH)



TM-ZE360 41002404034A FRAME/STANDARD, MANUAL VALVE (2.93T)
 PN1014768-03 ELEC.ASSY (PANEL SWITCH)



C

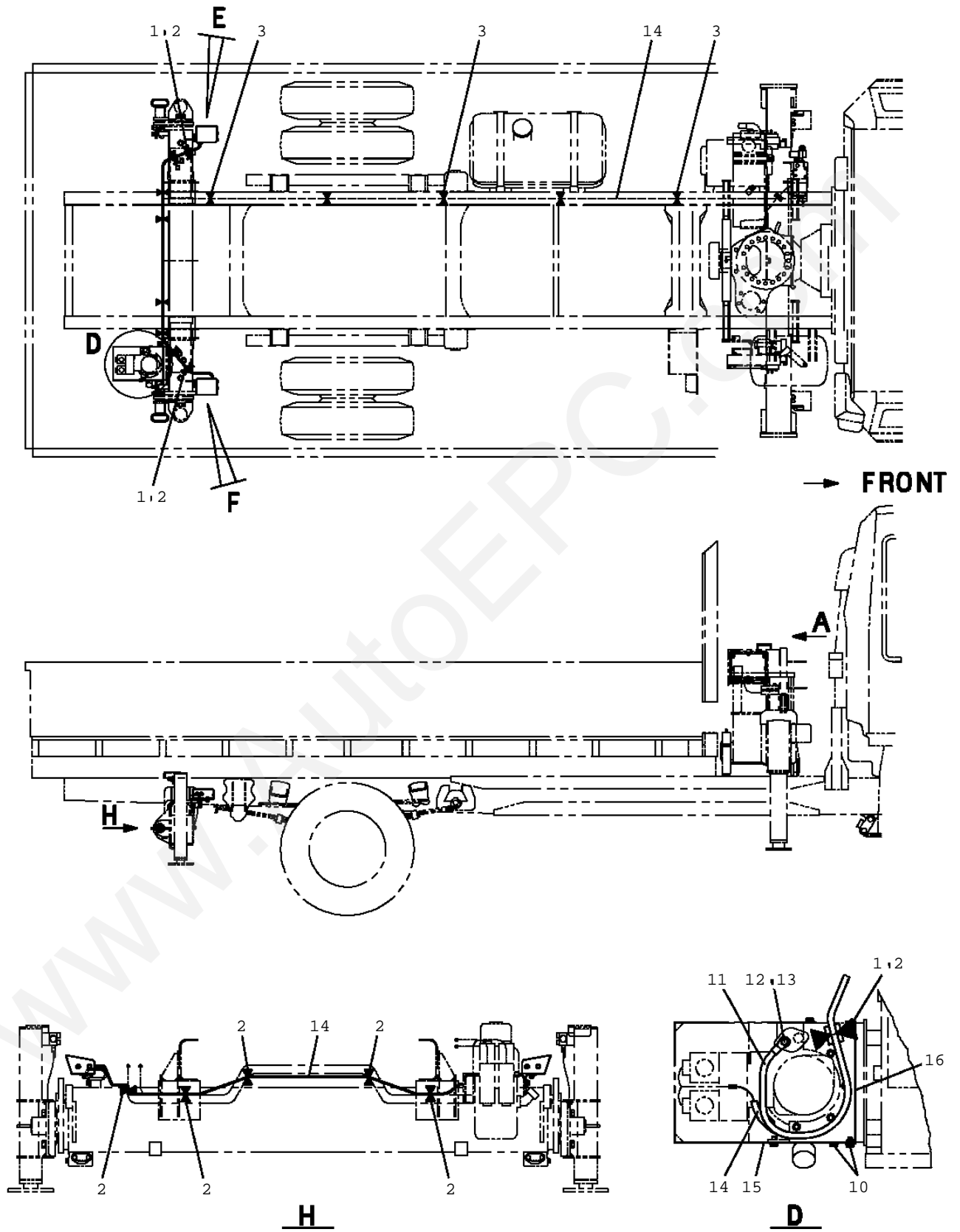


D

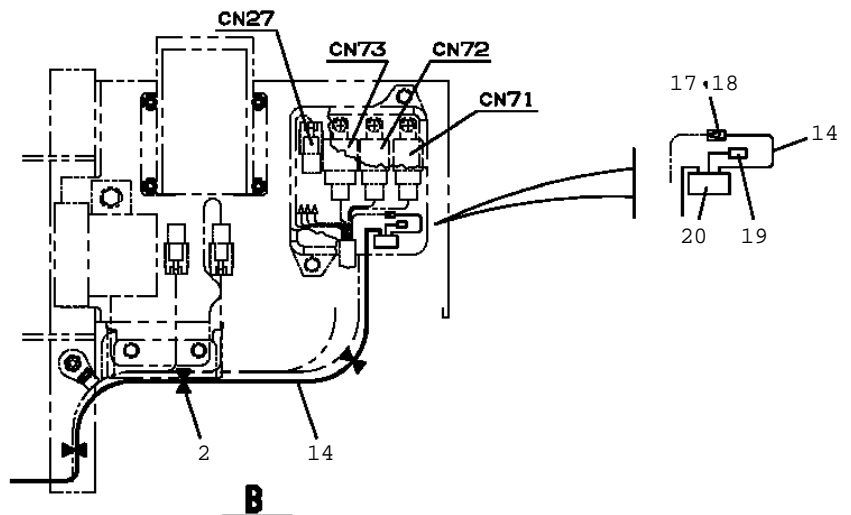
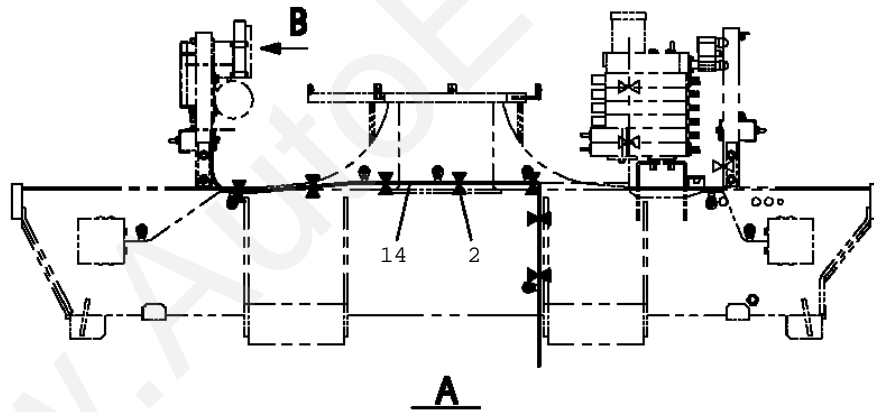
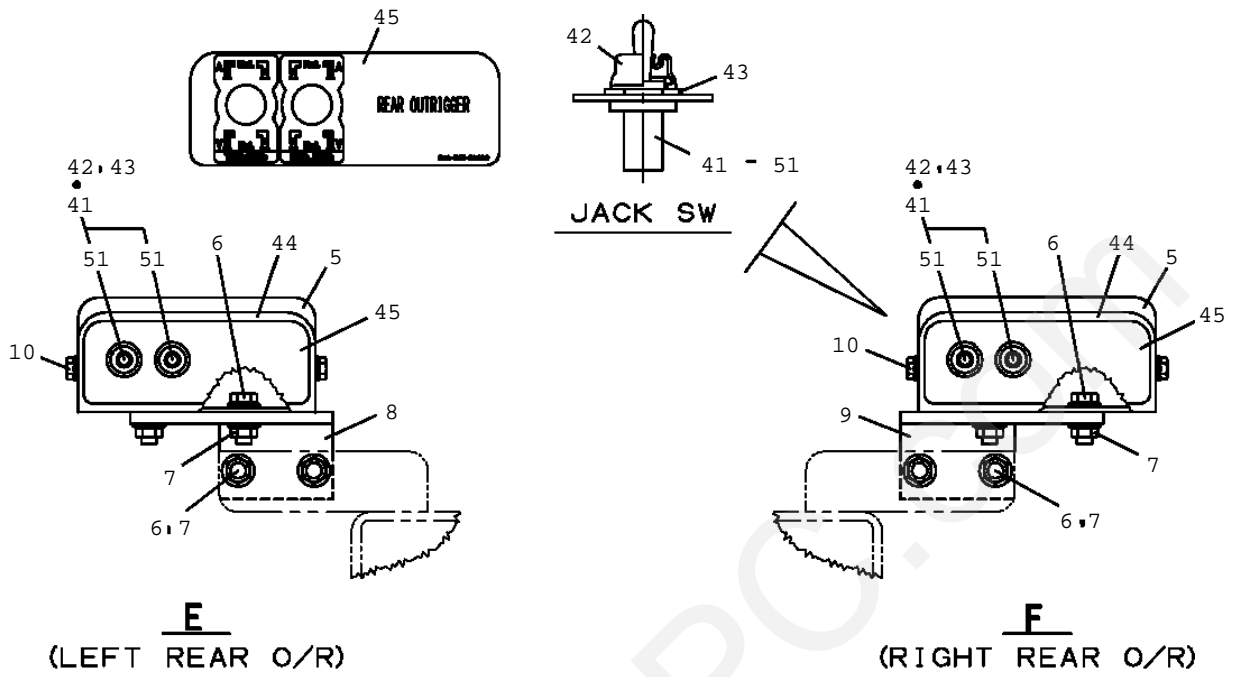
TM-ZE360 41002404034A FRAME/STANDARD, MANUAL VALVE(2.93T)

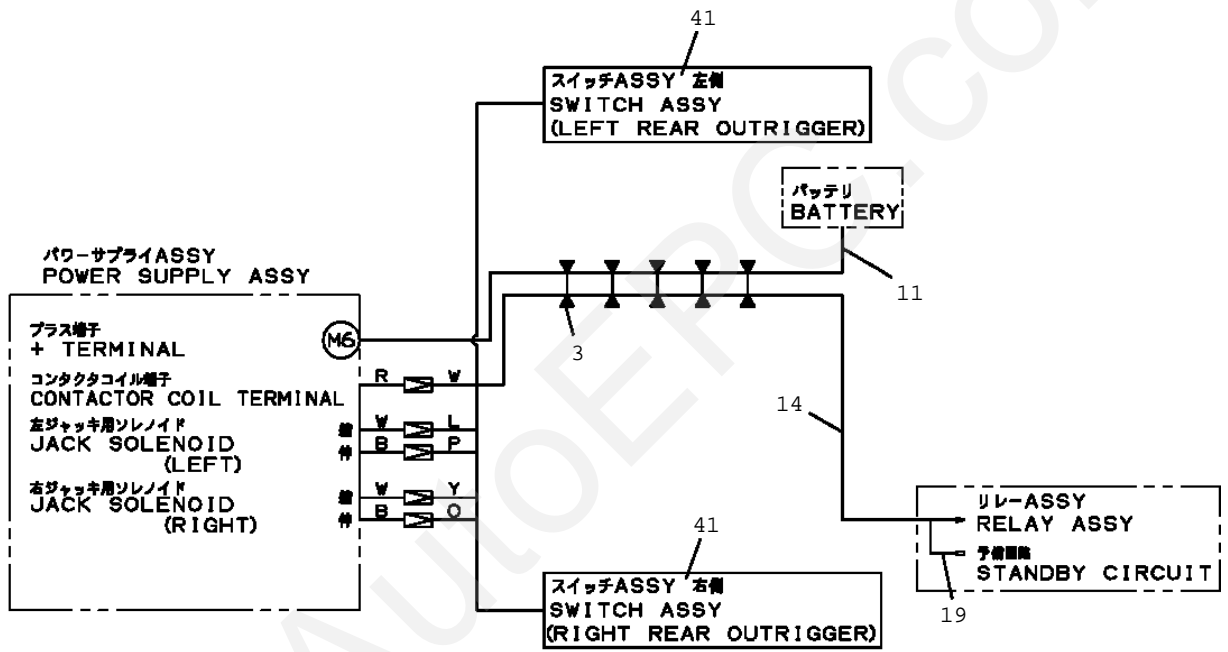
Pos No.	Parts No	Parts Name	Qty	Unit	Technical Data	Serial No
1	31656290100	HARNES	1			
4	31656010201	SUPPORT	1			
5	90171110018	BOLT	4		M10X18	
6	90302041001	WASHER, SPRING	4		10	
7	90186208014	BOLT, FLANGE	6		M8X14	
8	31653241300	COVER	2			
9	90186206010	BOLT, FLANGE	4		M6X10	
10	31653241100	BUZZER ASSY	1			
11	34352782100	BUZZER	1			
12	90186208020	BOLT, FLANGE	1		M8X20	
13	90280200800	NUT, FLANGE	1		M8	
15	90186206020	BOLT, FLANGE	3		M6X20	
16	90303070601	WASHER, PLAIN	8		6	
17	90280200600	NUT, FLANGE	4		M6	
18	91850100802	CLAMP (STUD BOLT MOUNT)	7			
19	91810130250	FASTENER	14			
20	91850310405	CLAMP (BLACK)	1			
21	31656290200	COVER	1			
23	31657341200	SUPPORT	1			
24	90186210014	BOLT, FLANGE	2		M10X14	
25	31656101200	PLUG (2-POLES, FEMALE)	1			
26	31656110100	PLATE	2			
27	90201200600	NUT	4		M6	
28	31656290400	HARNES	1		L=460	
30	90101208014	BOLT	2		M8X14	
31	90303070801	WASHER, PLAIN	2		8	
33	91850700101	CLAMP	4		L=208	
41	31653243100	SUPPORT	2			
42	31656292120	SWITCH ASSY (GREEN: PANASONIC)	1			
	31656292110	SWITCH ASSY (PLATING: NACC)	1			
43	82197518119	CAP (PLUS ONE MFG./BLACK)	1			
	82197518114	CAP (MATSUSHITA/BLACK)	1			
44	82197600101	CAP (BLACK)	2			
45	82197600103	CAP (RED)	1			
53	31653303300	SWITCH ASSY (MATSUSHITA)	1			
	31653303200	SWITCH ASSY (NIHON AUTOMATIC)	1			
61	31656011200	COVER	1			
62	37002227560	PLATE, NAME (BLACK)	2		D=16	
63	82100002596	RELAY	1			
64	90280200600	NUT, FLANGE	2		M6	
65	80192486014	SCREW, MACHINE (WITH WASHER)	2		M6X14	
66	82161201010	RELAY	1			

TM-ZE360 41002404034A FRAME/STANDARD, MANUAL VALVE (2.93T)
PN1014846-01 ELEC.ASSY



TM-ZE360 41002404034A FRAME/STANDARD, MANUAL VALVE (2.93T)
 PN1014846-01 ELEC.ASSY



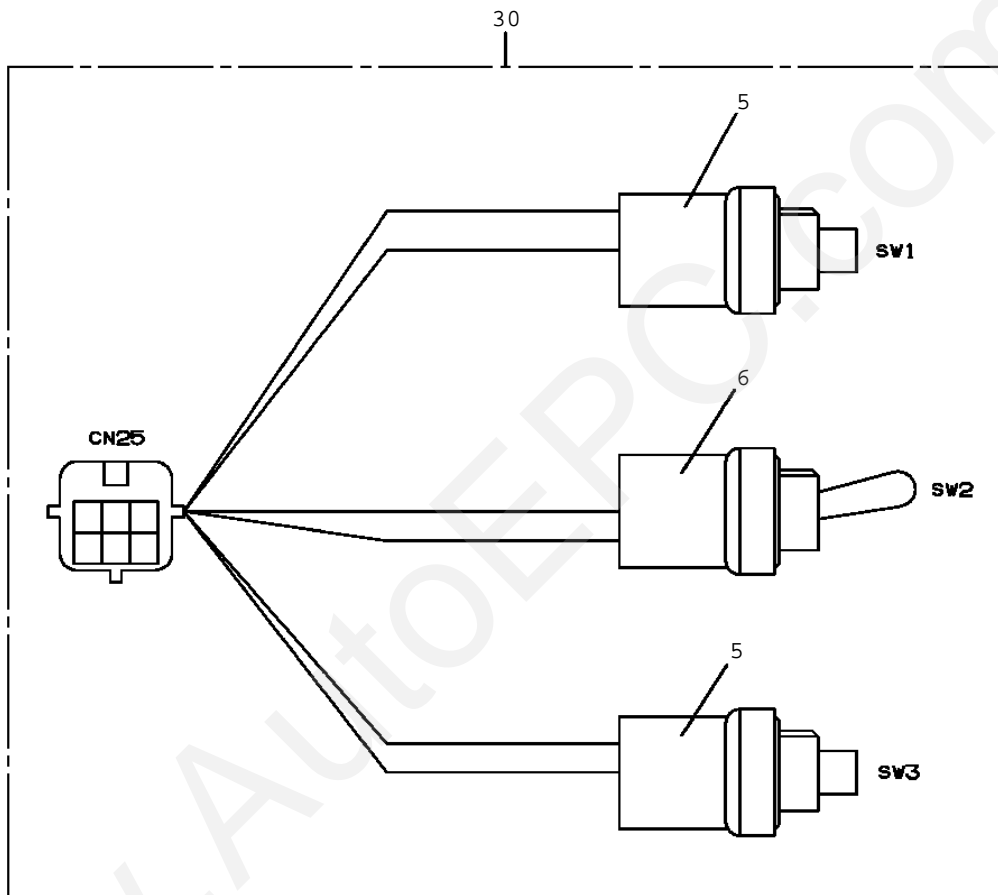


ハーネス経路
 HARNESS ROUTE

TM-ZE360 41002404034A FRAME/STANDARD, MANUAL VALVE(2.93T)

Pos No.	Parts No	Parts Name	Qty	Unit	Technical Data	Serial
1	91850310405	CLAMP (BLACK)	4			
2	91810130240	FASTENER	19			
3	91810130250	FASTENER	5			
5	31657280200	COVER	2			
6	90186208020	BOLT, FLANGE	8		M8X20	
7	90280200800	NUT, FLANGE	8		M8	
8	31653470100	SUPPORT	1			
9	31653470200	SUPPORT	1			
10	90186206010	BOLT, FLANGE	12		M6X10	
11	31611614300	HARNESS	1		L=10000	
12	82100002503	TERMINAL	1			
13	82100001226	INSULATOR	1			
14	31656330200	HARNESS	1			
15	31611614500	COVER	1			
16	31611614400	COVER	1			
17	82100000192	TERMINAL	1			
18	82100000182	INSULATOR	1			
19	31478092200	HARNESS	1		L=100	
20	82115001005	CONNECTOR	1			
41	31653322200	SWITCH ASSY (WITH HARNESS, 2-SW)	2			
42	82199514013	CAP	4			
43	82199504017	NUT	4		AT-401N	
44	31657282100	SUPPORT	2			
45	31656581200	PLATE, NAME	2			

TM-ZE360 41002404034A FRAME/STANDARD,MANUAL VALVE(2.93T)
PN1140188-00 SWITCH ASSY (PLATING:NACC)

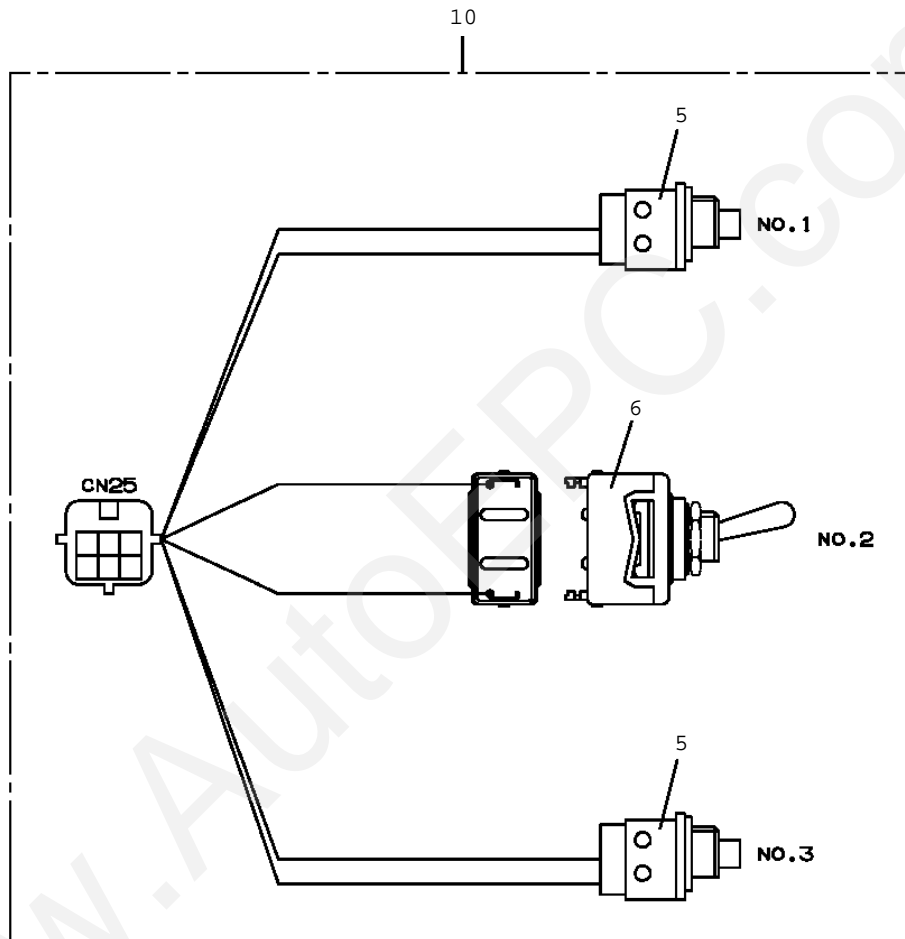


TM-ZE360 41002404034A FRAME/STANDARD,MANUAL VALVE(2.93T)

Pos No.	Parts No	Parts Name	Qty	Unit	Technical Data	Serial No
5	82101940130	SWITCH,PUSH (3PJW106F-021-CC)	2			
6	82105501001	SWITCH,TOGGLE (PLATING)	1			
30	31656292110	SWITCH ASSY (PLATING:NACC)	1			

www.AutoEPC.com

TM-ZE360 41002404034A FRAME/STANDARD, MANUAL VALVE (2.93T)
PN1140199-00 SWITCH ASSY (GREEN: PANASONIC)

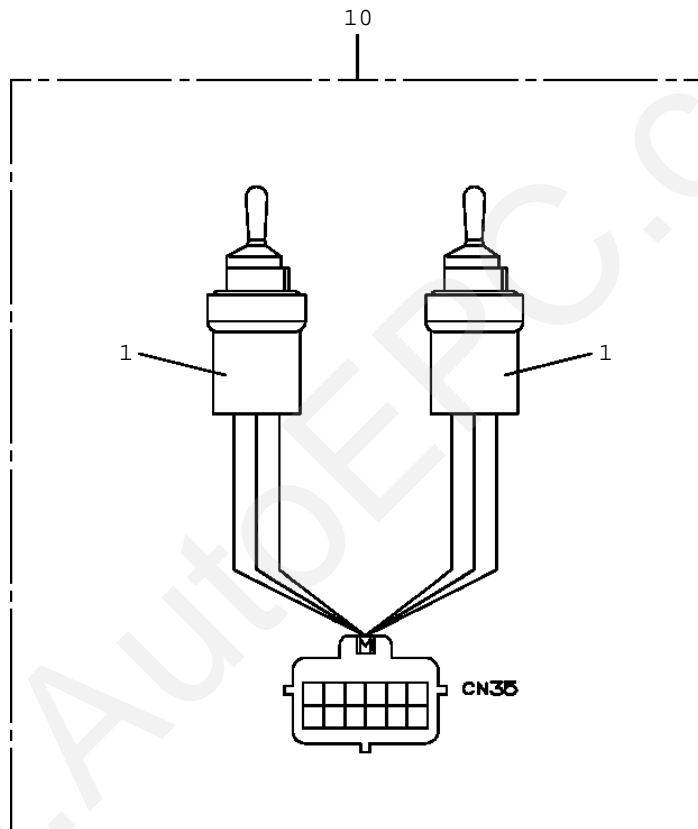


TM-ZE360 41002404034A FRAME/STANDARD,MANUAL VALVE(2.93T)

Pos No.	Parts No	Parts Name	Qty	Unit	Technical Data	Serial No
5	82101429241	SWITCH,PUSH (GREEN)	2			
6	82105410110	SWITCH,TOGGLE	1			
10	31656292120	SWITCH ASSY (GREEN: PANASONIC)	1			

www.AutoEPC.com

TM-ZE360 41002404034A FRAME/STANDARD,MANUAL VALVE(2.93T)
PN1140239-00 SWITCH ASSY (WITH HARNESS,2-SW)



TM-ZE360 41002404034A FRAME/STANDARD, MANUAL VALVE(2.93T)

Pos No.	Parts No	Parts Name	Qty	Unit	Technical Data	Serial
1	82105501003	SWITCH	2			
10	31653322200	SWITCH ASSY (WITH HARNESS,2-SW)	1			

www.AutoEPC.com

TM-ZE360 41002404034A FRAME/STANDARD,MANUAL VALVE(2.93T)
PO1000142-00 INDICATION PLATES (EXPORT)

メイバン
INDICATION PLATES

【組立名称一覧】より選択してください。

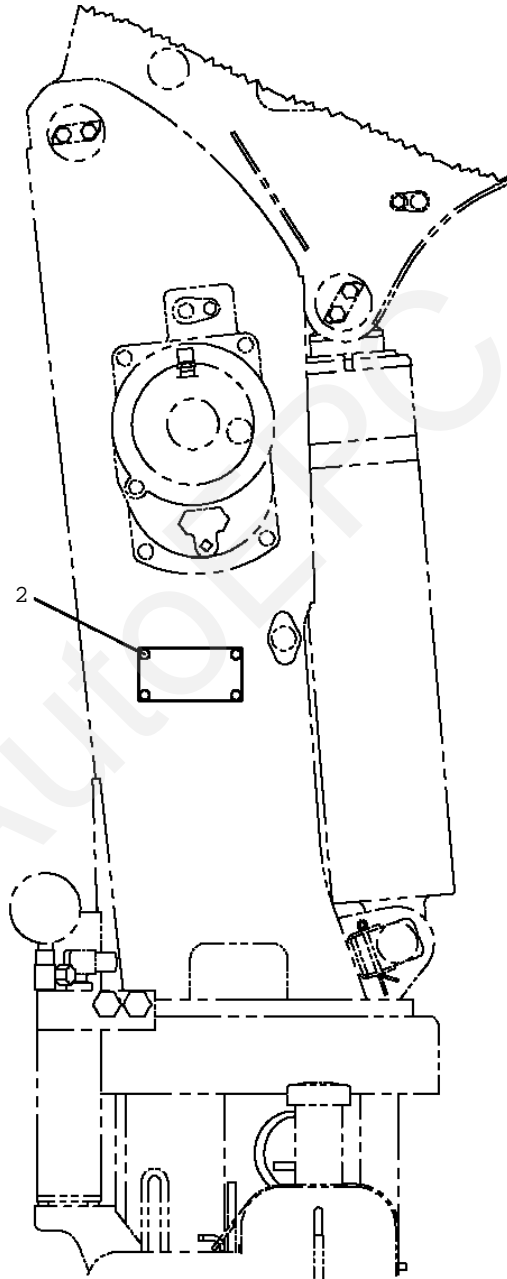
SEE THE CORRESPONDING "ASSEMBLY NAME" LIST.

TM-ZE360 41002404034A FRAME/STANDARD,MANUAL VALVE(2.93T)

Pos No.	Parts No	Parts Name	Qty	Unit	Technical Data
1	(*****)	PLATE ASSY,NAME	1		
2	(*****)	PERFORMANCE DATA (A,2930KG/ZE364D,DH)	1		

www.AutoEPC.com

TM-ZE360 41002404034A FRAME/STANDARD,MANUAL VALVE(2.93T)
PO1014946-00 PLATE ASSY,NAME (POST)

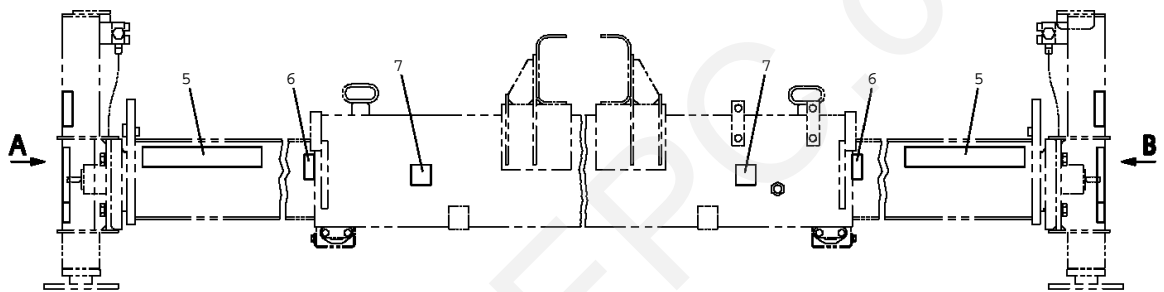


TM-ZE360 41002404034A FRAME/STANDARD, MANUAL VALVE(2.93T)

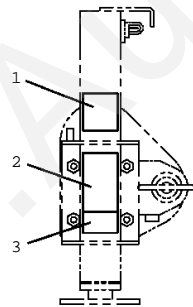
Pos No.	Parts No	Parts Name	Qty	Unit	Technical Data	Serial No (Start)	Serial
2	90451700100	SCREW, TAPPING	4		M4X6.4		

www.AutoEPC.com

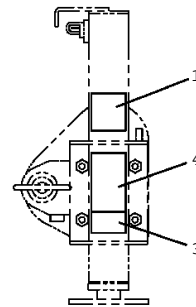
TM-ZE360 41002404034A FRAME/STANDARD, MANUAL VALVE (2.93T)
PO1015287-01 PLATE ASSY, NAME



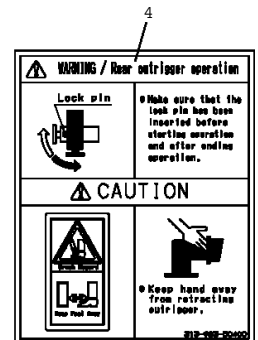
REAR JACK/VIEWED FROM REAR OF VEHICLE
(ZE300,360)



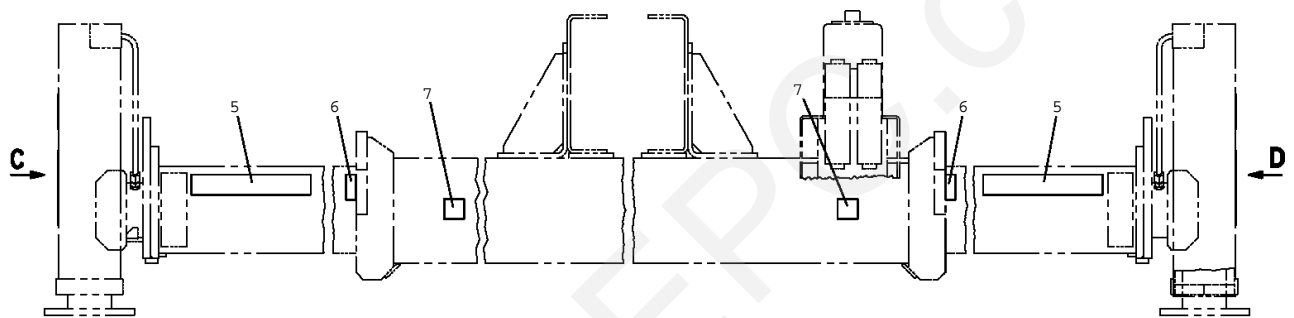
A



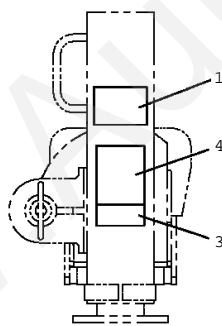
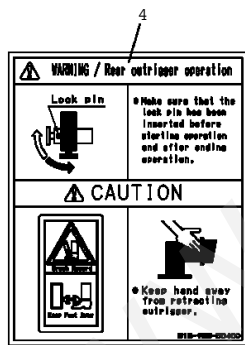
B



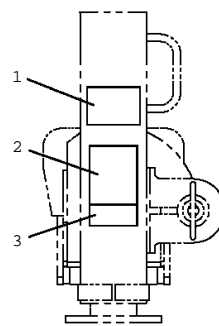
TM-ZE360 41002404034A FRAME/STANDARD, MANUAL VALVE (2.93T)
PO1015287-01 PLATE ASSY, NAME



REAR JACK/VIEWED FROM REAR OF VEHICLE
(ZE500)



C



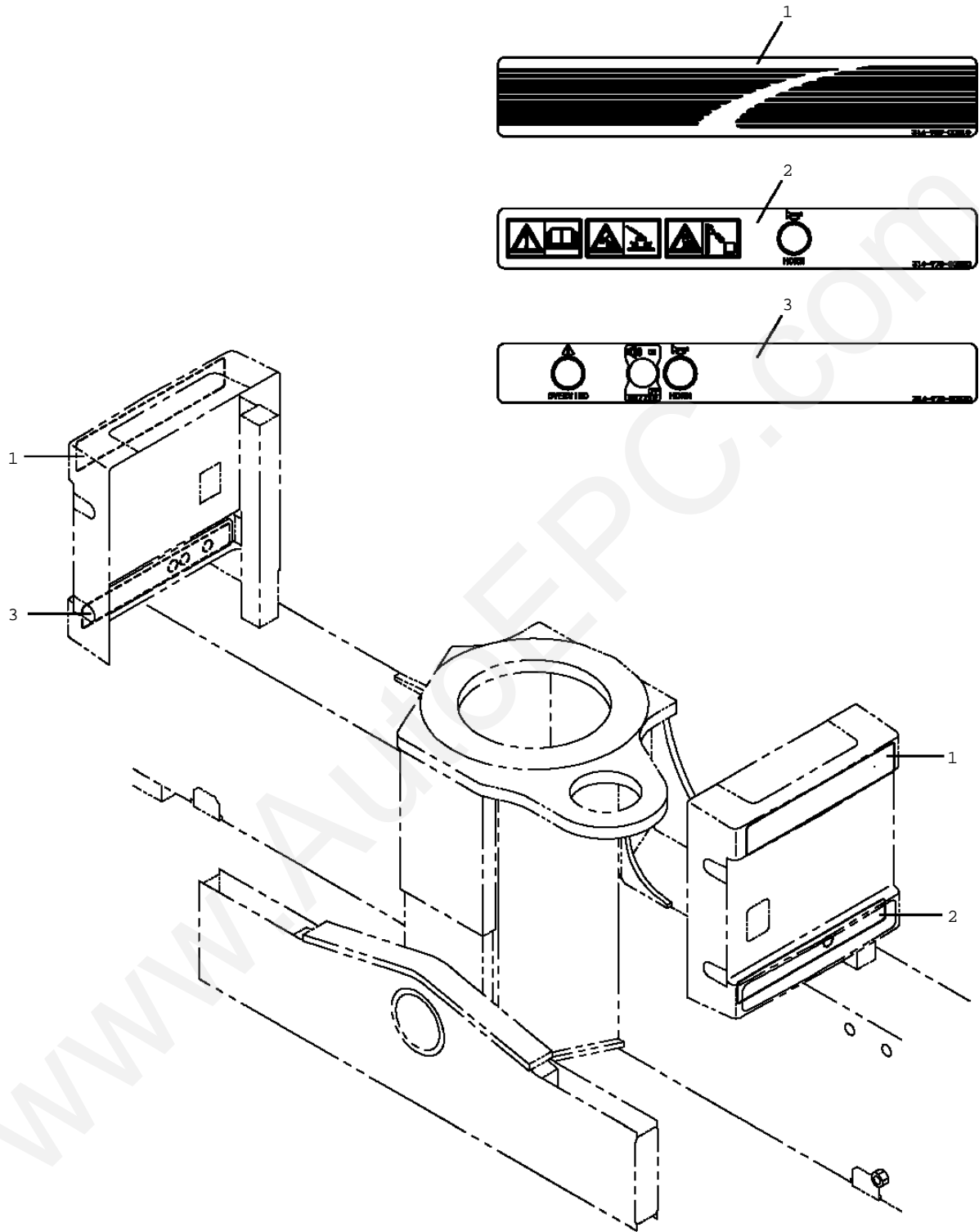
D

TM-ZE360 41002404034A FRAME/STANDARD,MANUAL VALVE(2.93T)

Pos No.	Parts No	Parts Name	Qty	Unit	Technical Data	S
1	31398350100	PLATE,CAUTION(CHECK BEFORE TRAVELING)	2			
2	31398350200	PLATE,CAUTION (L.R/O OPERATION)	1			
3	31398350300	PLATE,CAUTION (R-O OPERATION)	2			
4	31398350400	PLATE,CAUTION (R.R/O OPERATION)	1			
5	31393180100	REFLECTOR (RED)	2			
6	31611300500	PLATE,NAME (WHITE)	4			
7	37002213970	PLATE,NAME (MARKING)	2			

www.AutoEPC.com

TM-ZE360 41002404034A FRAME/STANDARD, MANUAL VALVE (2.93T)
PO1015295-01 PLATE ASSY, NAME (PANEL)

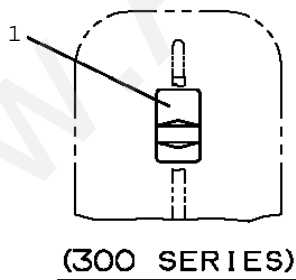
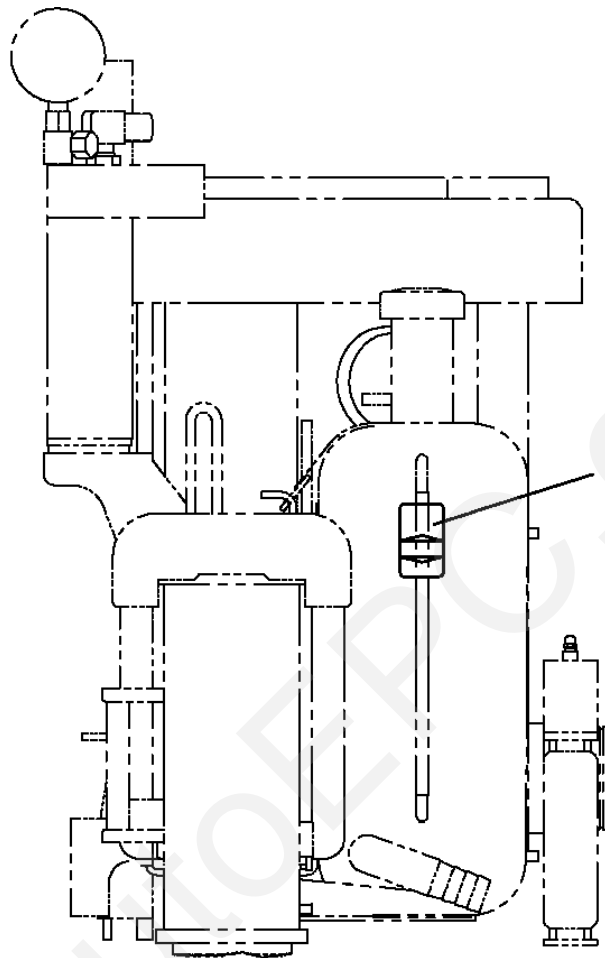


TM-ZE360 41002404034A FRAME/STANDARD,MANUAL VALVE(2.93T)

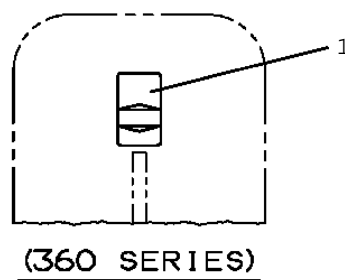
Pos No.	Parts No	Parts Name	Qty	Unit	Technical Data	Serial No (Start)	Serial
1	31496900310	PLATE,NAME	2				
2	31497880320	PLATE,CAUTION	1				
3	31497880330	PLATE,NAME	1				

www.AutoEPC.com

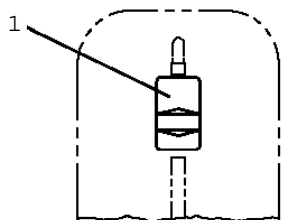
TM-ZE360 41002404034A FRAME/STANDARD, MANUAL VALVE (2.93T)
PO1015296-01 PLATE ASSY, NAME (OIL)



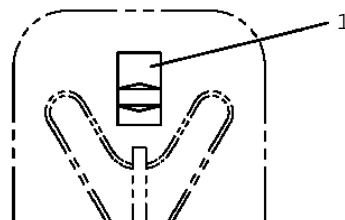
(300 SERIES)



(360 SERIES)



(250, 260, 290 SERIES)



(500 SERIES)

TM-ZE360 41002404034A FRAME/STANDARD,MANUAL VALVE(2.93T)

Pos No.	Parts No	Parts Name	Qty	Unit	Technical Data	Serial No (Start)	S
1	37002205300	PLATE,NAME (LEVEL)	1				

www.AutoEPC.com

TM-ZE360 41002404034A FRAME/STANDARD,MANUAL VALVE(2.93T)
PO1015311-00 PLATE ASSY,NAME

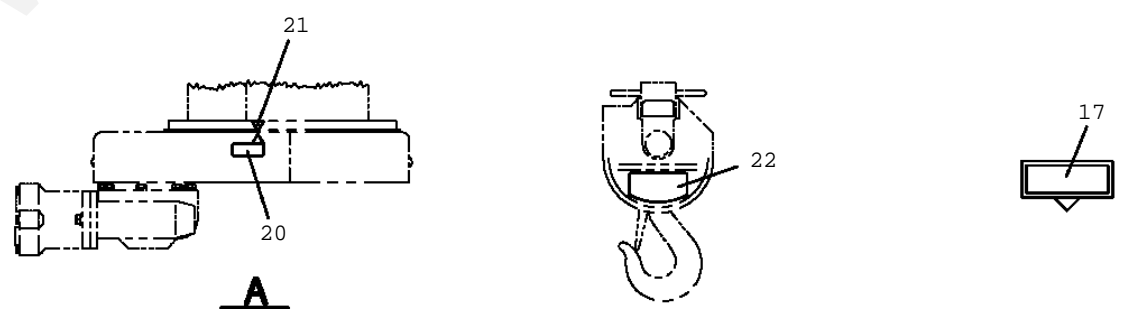
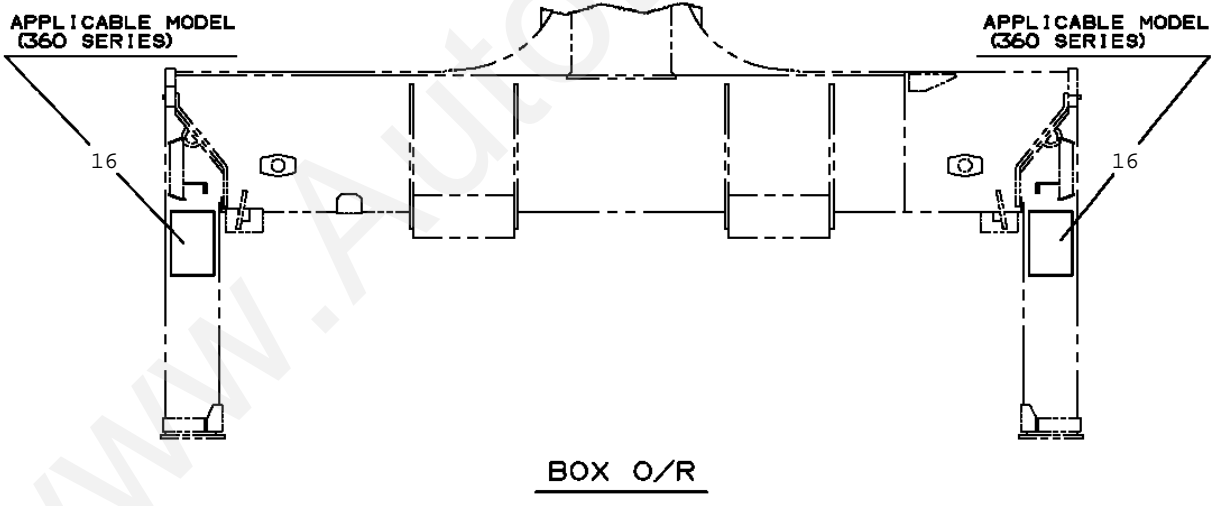
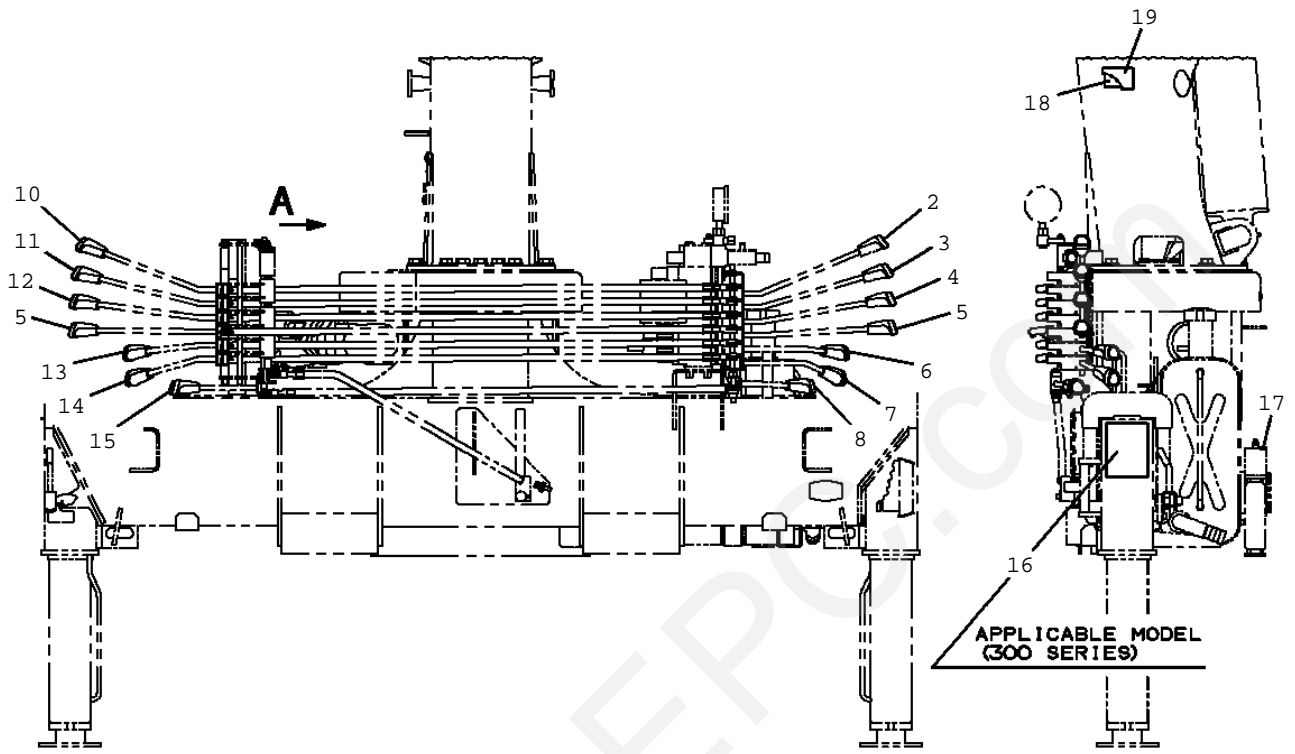
指示番号 KEY NO.	プレートASSY,ネーム PLATE ASSY,NAME
1	プレートASSY,ネーム (ソウサ,チュウイ,フック) PLATE ASSY,NAME (CONT.,CAUTION,HOOK)
2	プレートASSY,ネーム (ポスト) PLATE ASSY,NAME (POST)
3	プレートASSY,ネーム (パネル) PLATE ASSY,NAME (PANEL)
4	プレートASSY,ネーム (オイル) PLATE ASSY,NAME (OIL)

TM-ZE360 41002404034A FRAME/STANDARD,MANUAL VALVE(2.93T)

Pos No.	Parts No	Parts Name	Qty	Unit	Technical Data
1	(*****)	PLATE ASSY,NAME (CONT.,CAUTION,HOOK)	1		
2	(*****)	PLATE ASSY,NAME (POST)	1		
3	(*****)	PLATE ASSY,NAME (PANEL)	1		
4	(*****)	PLATE ASSY,NAME (OIL)	1		

www.AutoEPC.com

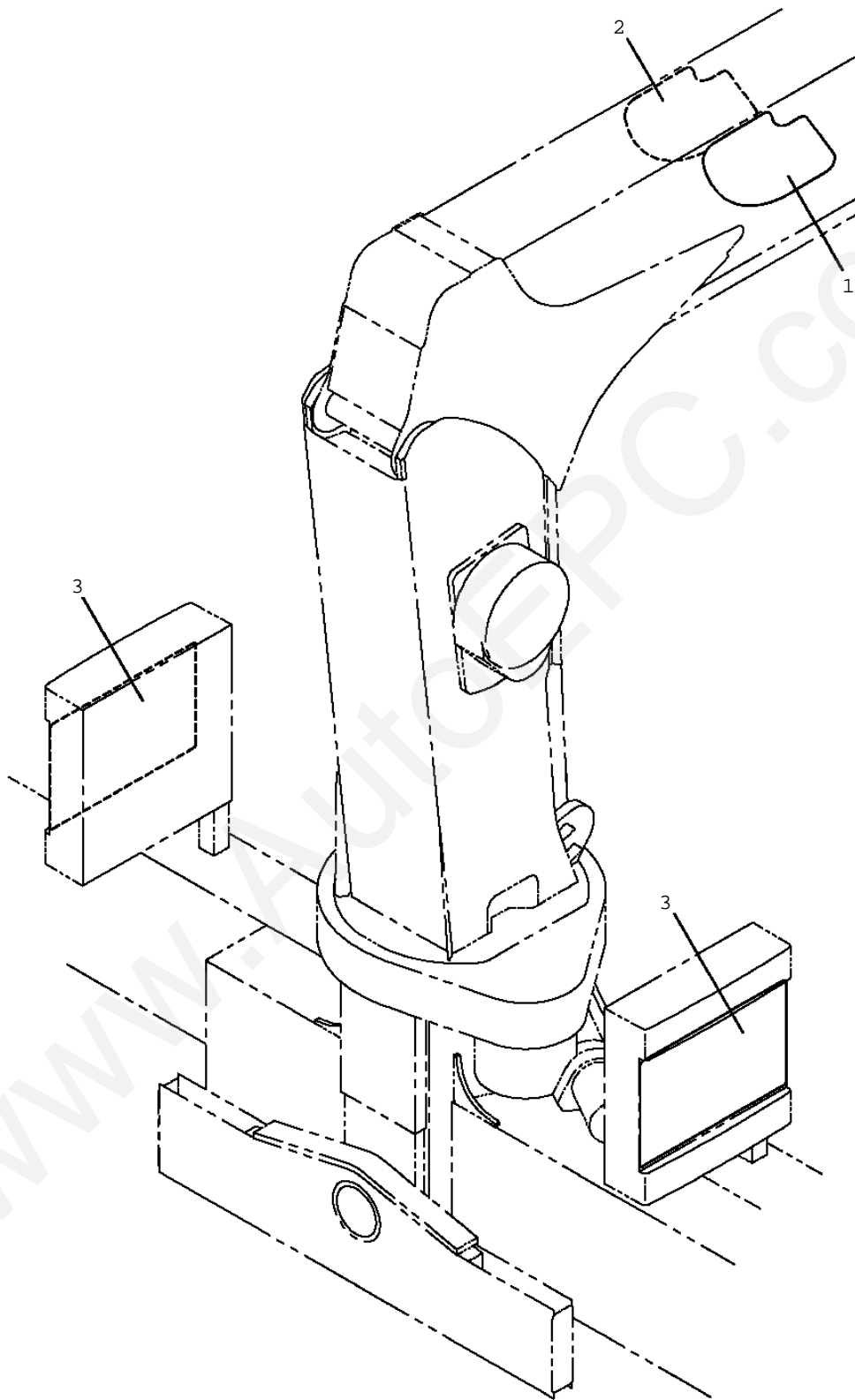
TM-ZE360 41002404034A FRAME/STANDARD, MANUAL VALVE (2.93T)
PO1015313-00 PLATE ASSY, NAME (CONT., CAUTION, HOOK)



TM-ZE360 41002404034A FRAME/STANDARD,MANUAL VALVE(2.93T)

Pos No.	Parts No	Parts Name	Qty	Unit	Technical Data	Se
2	37002228500	PLATE,NAME (RET.,EXT./BOOM)	1			
3	37002228510	PLATE,NAME (UP,DOWN/WINCH)	1			
4	37002228520	PLATE,NAME (UP,DOWN/BOOM)	1			
5	37002228530	PLATE,NAME (RIGHT,LEFT/SWING)	2			
6	37002228540	PLATE,NAME (OPP./RET.,SIDE/EXT.)	1			
7	37002228550	PLATE,NAME (THIS/RET.,SIDE/EXT.)	1			
8	37002228560	PLATE,NAME (ACCEL./LEFT)	1			
10	37002228580	PLATE,NAME (EXT.,RET./BOOM)	1			
11	37002228590	PLATE,NAME (DOWN,UP/WINCH)	1			
12	37002228600	PLATE,NAME (DOWN,UP/BOOM)	1			
13	37002228610	PLATE,NAME (THIS/EXT.,SIDE/RET.)	1			
14	37002228620	PLATE,NAME (OPP./EXT.,SIDE/RET.)	1			
15	37002228630	PLATE,NAME (ACCEL./RIGHT)	1			
16	37002228210	PLATE,CAUTION(WARNING,O/R OPERATION)	2			
17	14137207000	PLATE,NAME (GREASE)	5			
18	37002224430	PLATE,NAME (REPLACE FACINGS)	1			
19	37002224440	PLATE,NAME	1			
20	37002221970	PLATE,NAME (BOOM STOWING)	1			
21	37002200320	PLATE,NAME	1			
22	37002228700	PLATE,NAME (2930KG)	2			

TM-ZE360 41002404034A FRAME/STANDARD, MANUAL VALVE(2.93T)
PO1071084-00 PERFORMANCE DATA (C,2930KG/ZE364D,DH)

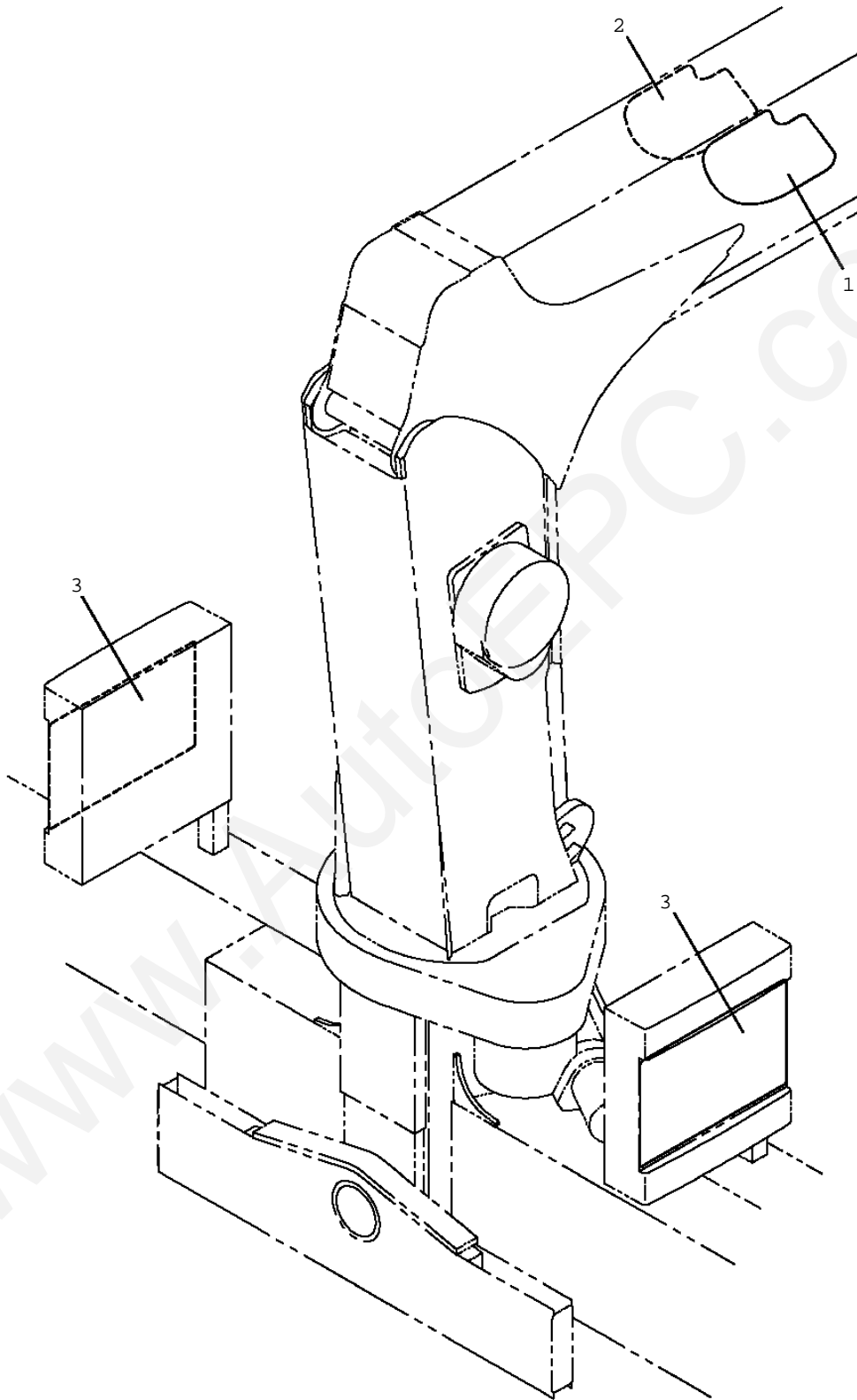


TM-ZE360 41002404034A FRAME/STANDARD,MANUAL VALVE(2.93T)

Pos No.	Parts No	Parts Name	Qty	Unit	Technical Data
1	31498126100	PLATE,NAME (LOAD INDICATOR)	1		
2	31498126200	PLATE,NAME (LOAD INDICATOR)	1		
3	31498126300	PLATE,NAME(EMPTY CHASSIS RATED LIFTING)	2		

www.AutoEPC.com

TM-ZE360 41002404034A FRAME/STANDARD, MANUAL VALVE(2.93T)
PO1071085-00 PERFORMANCE DATA (D,2930KG/ZE364D,DH)

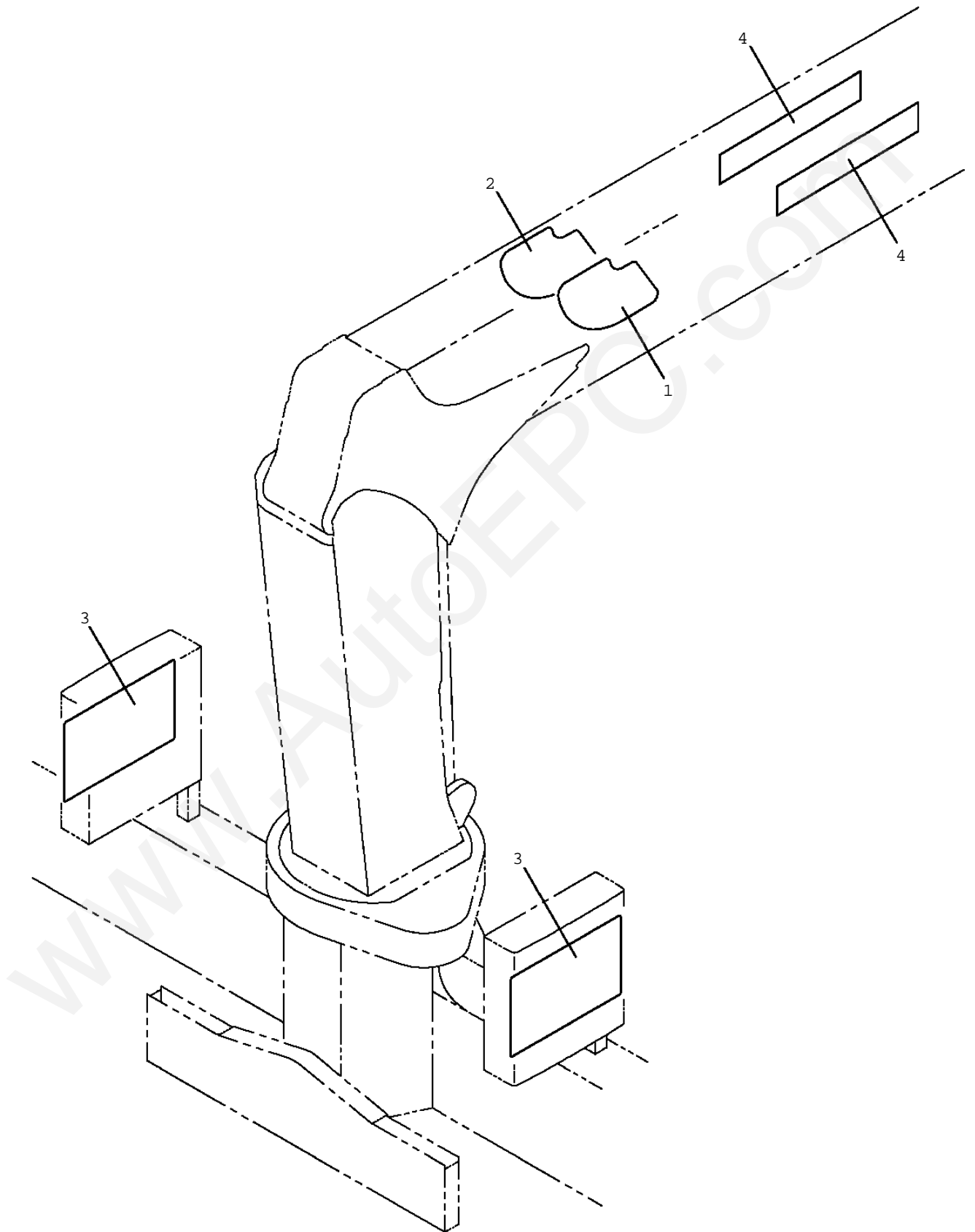


TM-ZE360 41002404034A FRAME/STANDARD,MANUAL VALVE(2.93T)

Pos No.	Parts No	Parts Name	Qty	Unit	Technical Data
1	31498125100	PLATE,NAME (LOAD INDICATOR)	1		
2	31498125200	PLATE,NAME (LOAD INDICATOR)	1		
3	31498125300	PLATE,NAME(EMPTY CHASSIS RATED LIFTING)	2		

www.AutoEPC.com

TM-ZE360 41002404034A FRAME/STANDARD, MANUAL VALVE (2.93T)
PP5200057-00 PERFORMANCE DATA (A, 2930KG/ZE364D, DH)

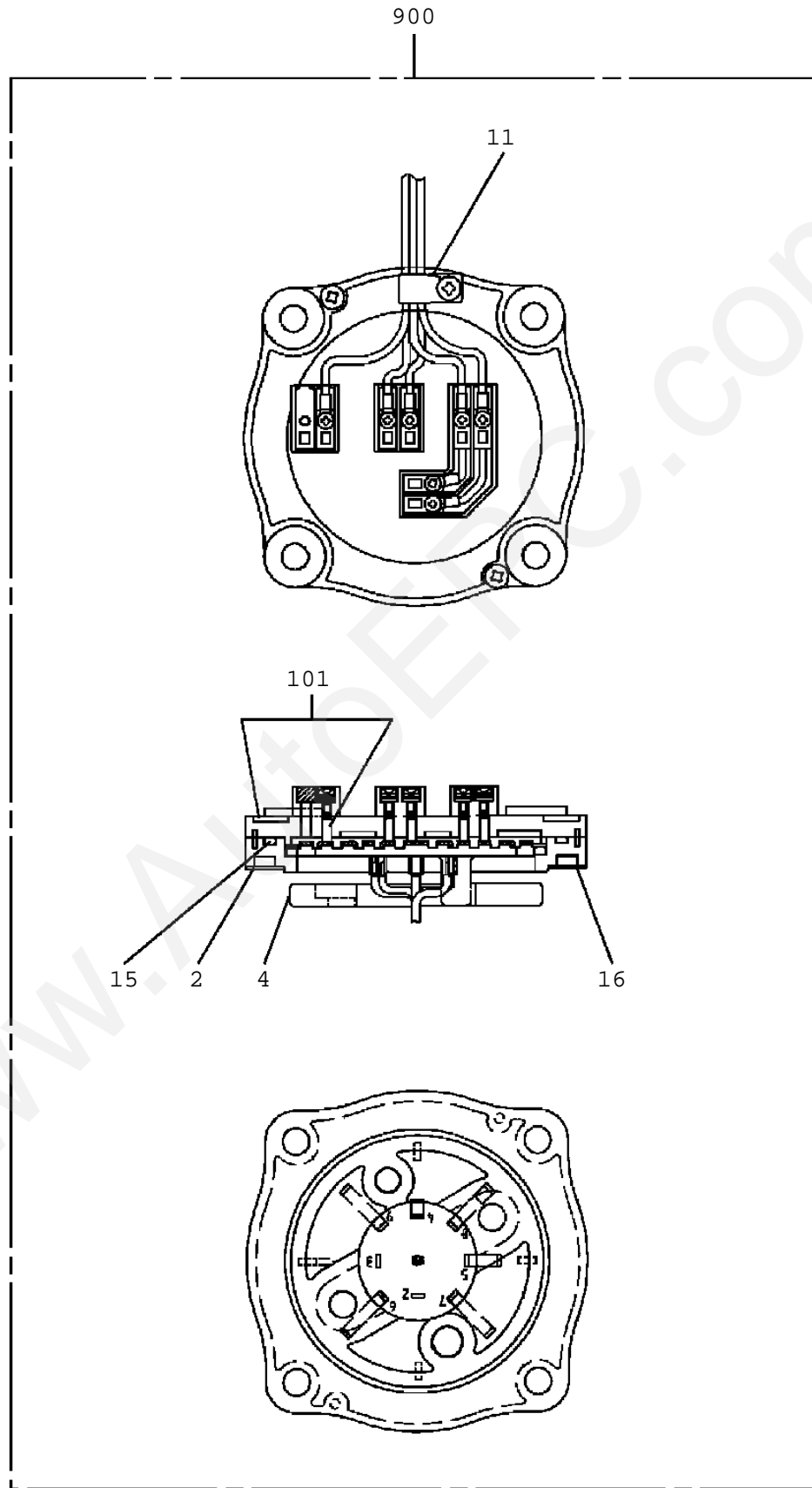


TM-ZE360 41002404034A FRAME/STANDARD,MANUAL VALVE(2.93T)

Pos No.	Parts No	Parts Name	Qty	Unit	Technical Data
1	31498124100	PLATE,NAME (LOAD INDICATOR)	1		
2	31498124200	PLATE,NAME (LOAD INDICATOR)	1		
3	31498124300	PLATE,NAME(EMPTY CHASSIS RATED LIFTING)	2		
4	37002229940	PLATE,NAME (ZE360)	2		

www.AutoEPC.com

TM-ZE360 41002404034A FRAME/STANDARD, MANUAL VALVE (2.93T)
PR5130002-00 RING ASSY, SLIP

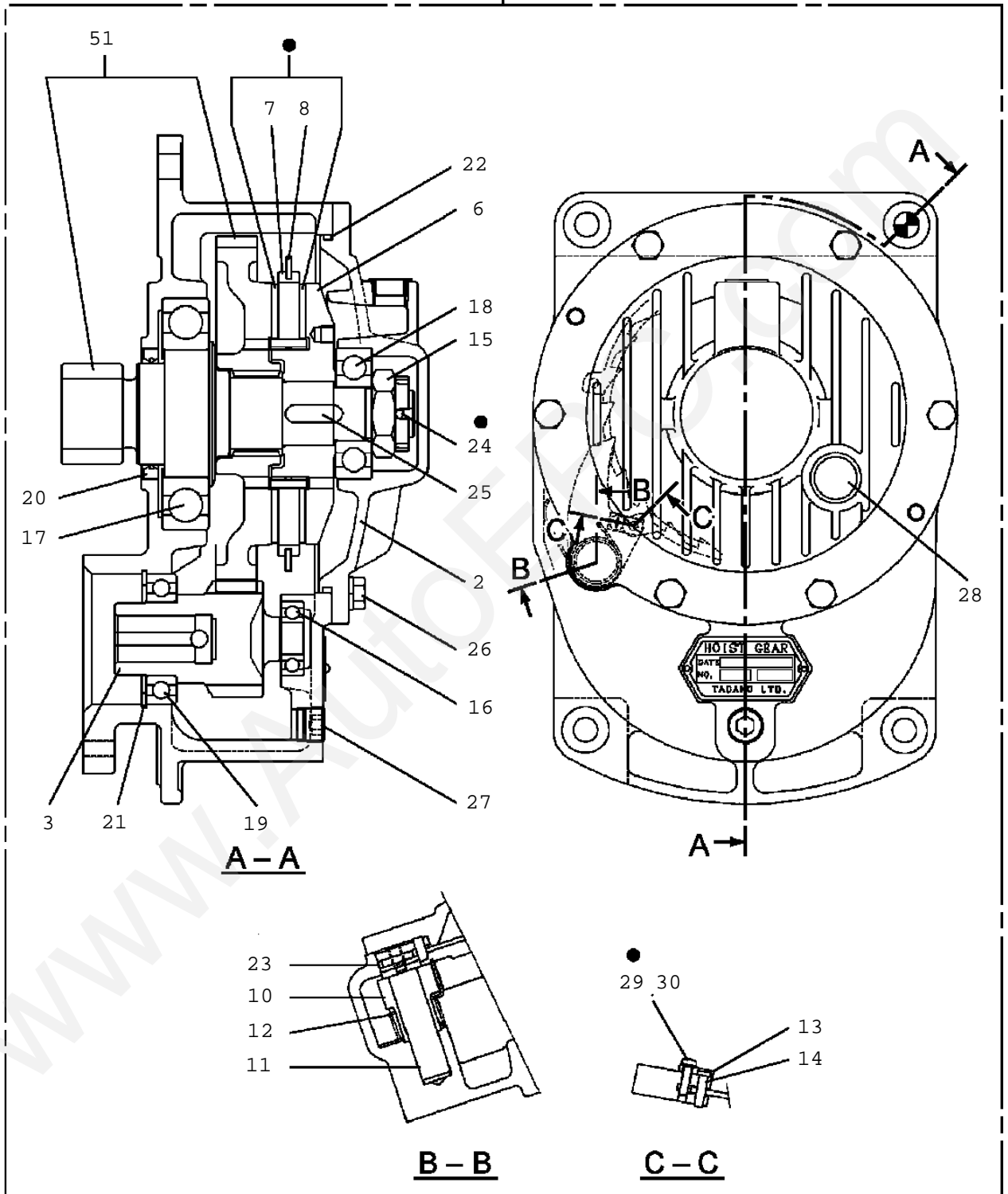


TM-ZE360 41002404034A FRAME/STANDARD,MANUAL VALVE(2.93T)

Pos No.	Parts No	Parts Name	Qty	Unit	Technical Data	Serial N
2	31631807510	CASE (RING)	1			
4	31631807520	SPACER	1			
11	31631807530	CLAMP (CABLE)	1			
15	31631807540	O-RING	1			
16	31631807550	PACKING	1			
101	31631807560	HOLDER ASSY,BRUSH (WITH BRUSH)	1			
900	31631803000	RING ASSY,SLIP	1			

www.AutoEPC.com

100



- : FACING KIT KEY NO 101 (JAPANESE)
- : FACING KIT KEY NO.102 (ENGLISH)

- Protective seal
- Replacement interval name plate

TM-ZE360 41002404034A FRAME/STANDARD, MANUAL VALVE(2.93T)

Pos No.	Parts No	Parts Name	Qty	Unit	Technical Data	Serial No (Start)
2	36073085020	COVER	1			
3	36073815010	GEAR, SPUR	1			
6	36073085061	BRAKE, DISK	1			
7	36073085072	WHEEL, RATCHET	1			
8	36073085080	RING (C)	1			
10	36073085090	RATCHET	1			
11	36073085100	SHAFT	1			
12	36073085111	SPRING	1			
13	36073085120	CAP	1			
14	36073085130	PIN	1			
15	36073085140	NUT	1			
16	80500006202	BEARING, BALL	1			
17	80500006211	BEARING, BALL	1			
18	80500006305	BEARING, BALL	1			
19	80500006007	BEARING, BALL	1			
20	36073085150	SEAL, OIL	1			
21	80602110620	RING, RITAINING	1		R62	
22	36071195200	O-RING	1			
23	91001101500	O-RING	1		1A P15	
24	80136340040	PIN, SPLIT	1		4X40	
25	36073085160	KEY	2			
26	36073085180	BOLT (WITH SW)	6			
27	36073085200	PLUG	1			
28	36073085170	GAUGE, OIL	1			
29	80172304015	SCREW, MACHINE	1		M4X15	
30	90302040401	WASHER, SPRING	1		4	
51	36073085603	GEAR ASSY	1			
100	36073810000	WINCH ASSY (Y.G.TEC)	1			
101	36070441000	FACING KIT (JAPANESE)	1			
102	36070442000	FACING KIT (ENGLISH)	1			

TM-ZE360 41002404034A FRAME/STANDARD,MANUAL VALVE(2.93T)
PY1000373-00 OPTIONS

トクベツ ショウ
OPTIONS

【組立名称一覧】より選択してください。

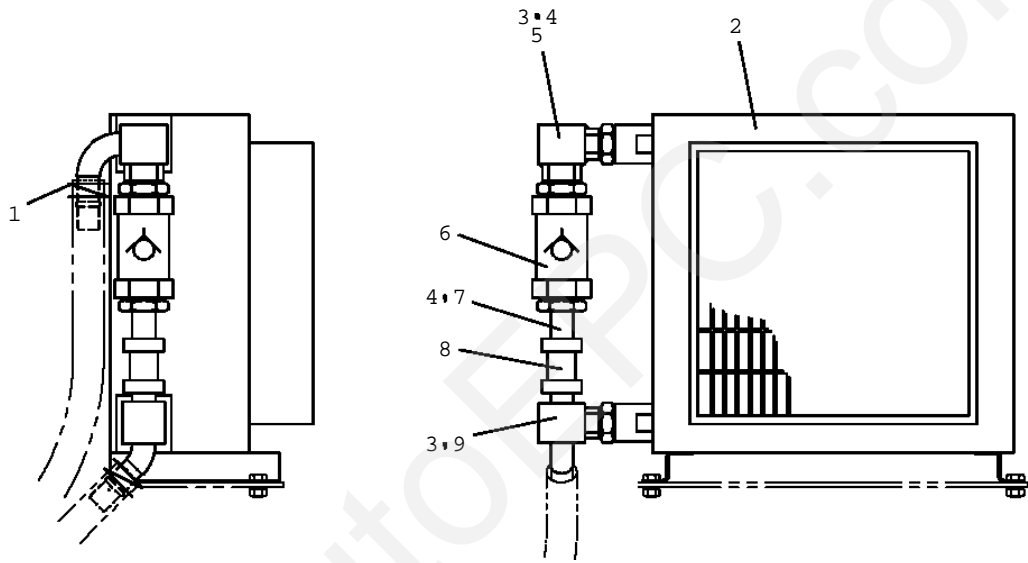
SEE THE CORRESPONDING "ASSEMBLY NAME" LIST.

TM-ZE360 41002404034A FRAME/STANDARD,MANUAL VALVE(2.93T)

Pos No.	Parts No	Parts Name	Qty	Unit	Technical Data
1	(*****)	OUTRIGGER,REAR (ROTARY/POWER PACKAGE)	1		
2	(*****)	PERFORMANCE DATA (D,2930KG/ZE364D,DH)	1		
	(*****)	PERFORMANCE DATA (C,2930KG/ZE364D,DH)	1		
12	(*****)	COOLER,OIL	1		

www.AutoEPC.com

TM-ZE360 41002404034A FRAME/STANDARD, MANUAL VALVE (2.93T)
PY1200078-00 PIPING, COOLER

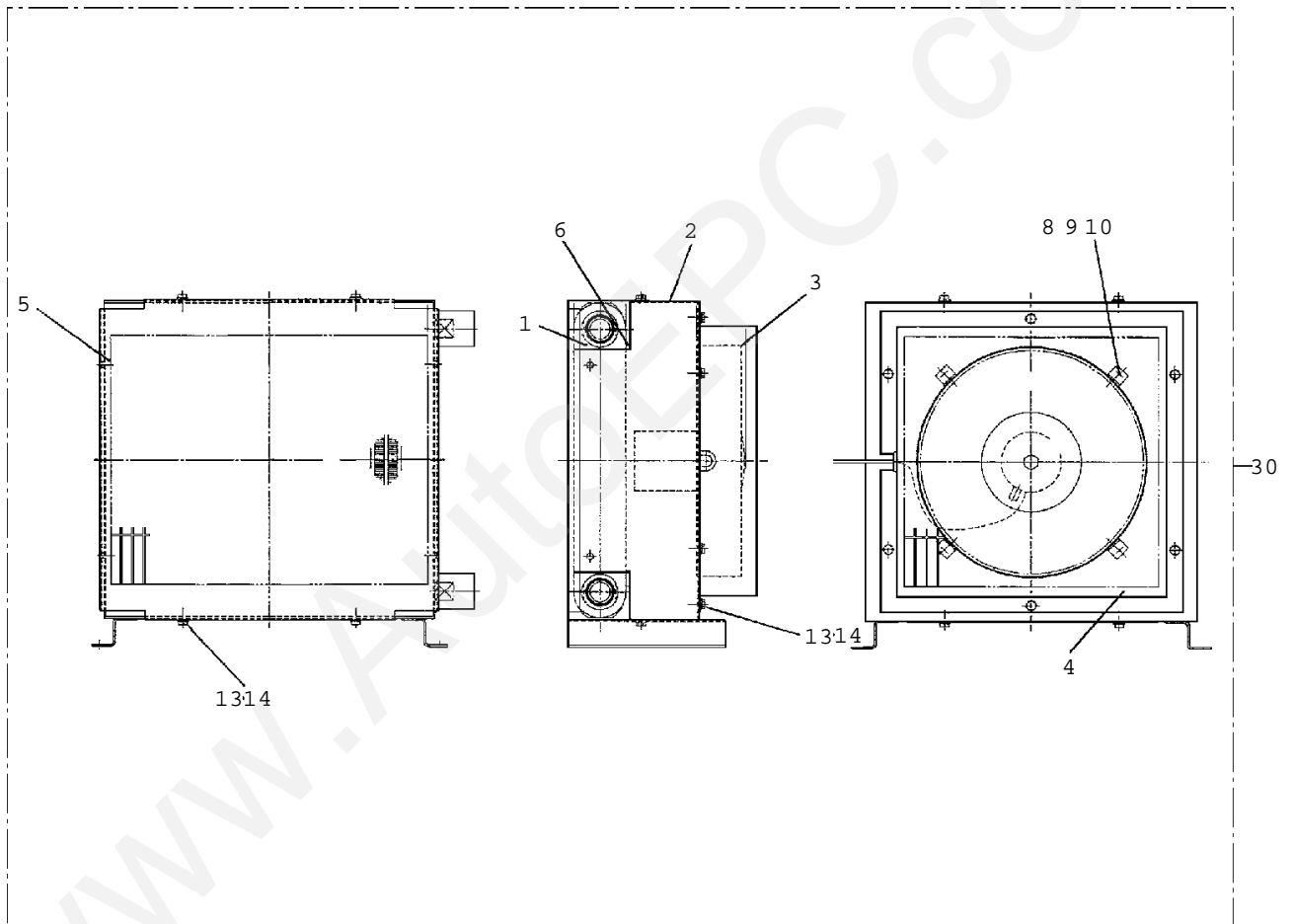


TM-ZE360 41002404034A FRAME/STANDARD,MANUAL VALVE(2.93T)

Pos No.	Parts No	Parts Name	Qty	Unit	Technical Data	Serial No (Start)	Serial N
1	91803600400	CLIP	2		D=27-40		
2	36690250000	COOLER,OIL	1				
3	91002802900	O-RING	2		1B P29		
4	91002803800	O-RING	2		1B P38		
5	31730362100	JOINT	1				
6	36620400000	VALVE,CHECK	1				
7	31730362200	JOINT	1				
8	80330003200	JOINT	1				
9	31730362300	JOINT	1				

www.AutoEPC.com

TM-ZE360 41002404034A FRAME/STANDARD, MANUAL VALVE (2.93T)
PY1300014-01 COOLER, OIL



TM-ZE360 41002404034A FRAME/STANDARD,MANUAL VALVE(2.93T)

Pos No.	Parts No	Parts Name	Qty	Unit	Technical Data	Serial No (Start)	Serial
1	36690175010	COOLER,OIL	1				
2	36690255010	DUCT	1				
3	36690255020	FAN	1				
4	36690255030	NET (GUARD)	1				
5	36690255040	GUARD (NET)	1				
6	36690255050	PACKING	2				
8	90101208016	BOLT	4		M8X16		
9	90303070801	WASHER,PLAIN	4		8		
10	90302040801	WASHER,SPRING	4		8		
13	90101206014	BOLT	10		M6X14		
14	90303070601	WASHER,PLAIN	10		6		
30	36690250000	COOLER,OIL	1				

www.AutoEPC.com

TM-ZE360 41002404034A FRAME/STANDARD,MANUAL VALVE(2.93T)
PY1300041-01 COOLER,OIL

指示番号 KEY NO.	クーラ,オイル COOLER,OIL
1	パイピング,クーラ PIPING,COOLER
2	ハイセンASSY ELEC.ASSY

TM-ZE360 41002404034A FRAME/STANDARD, MANUAL VALVE(2.93T)

Pos No.	Parts No	Parts Name	Qty	Unit	Technical Data	Serial No (Start)	Seri
1	(*****)	PIPING, COOLER	1				
2	(*****)	ELEC.ASSY	1				

www.AutoEPC.com